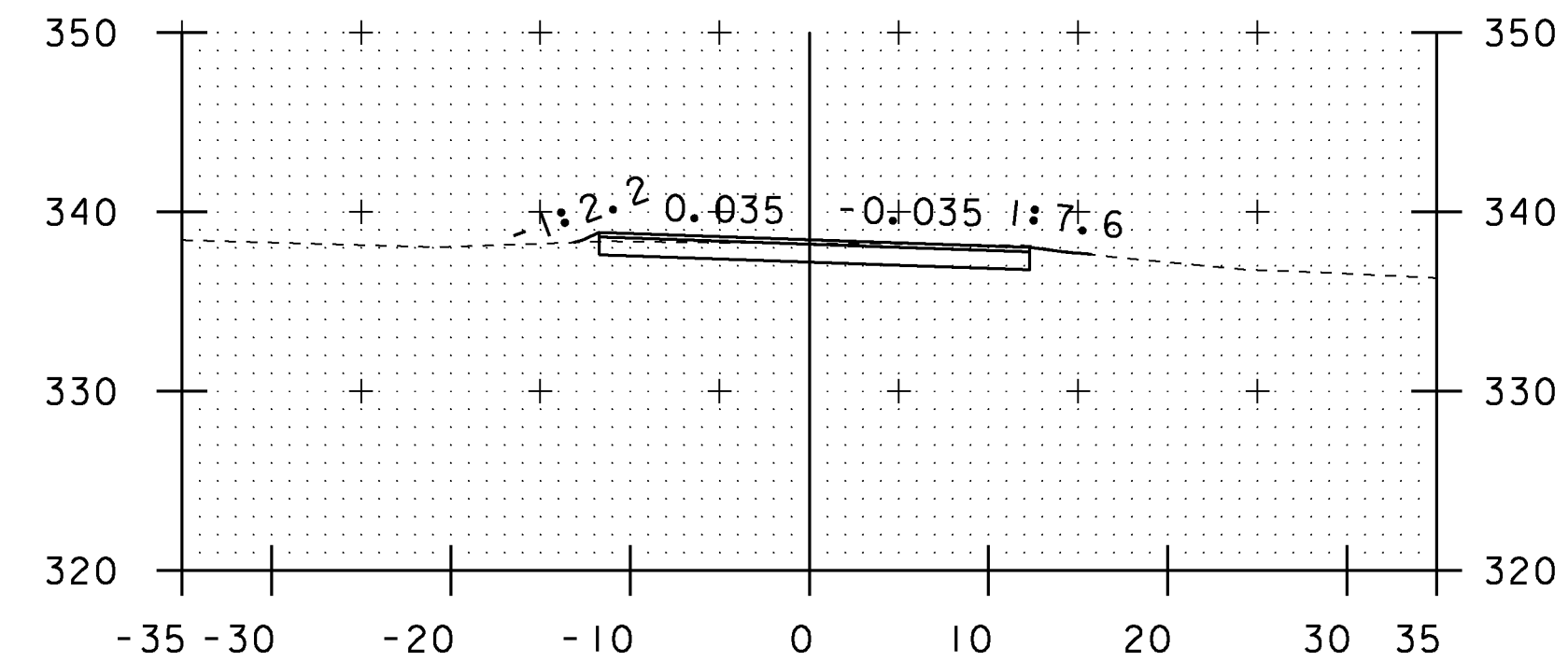
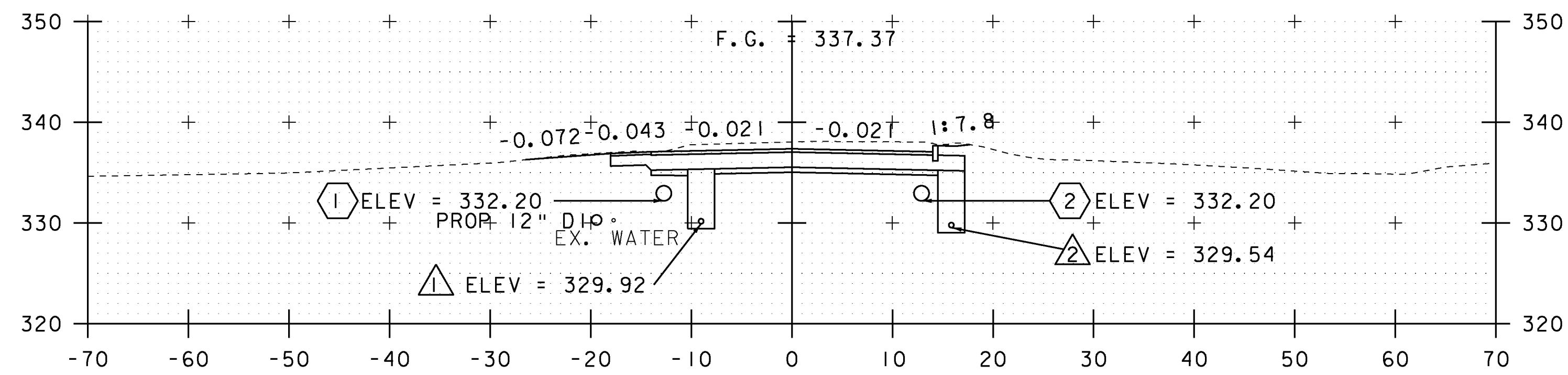


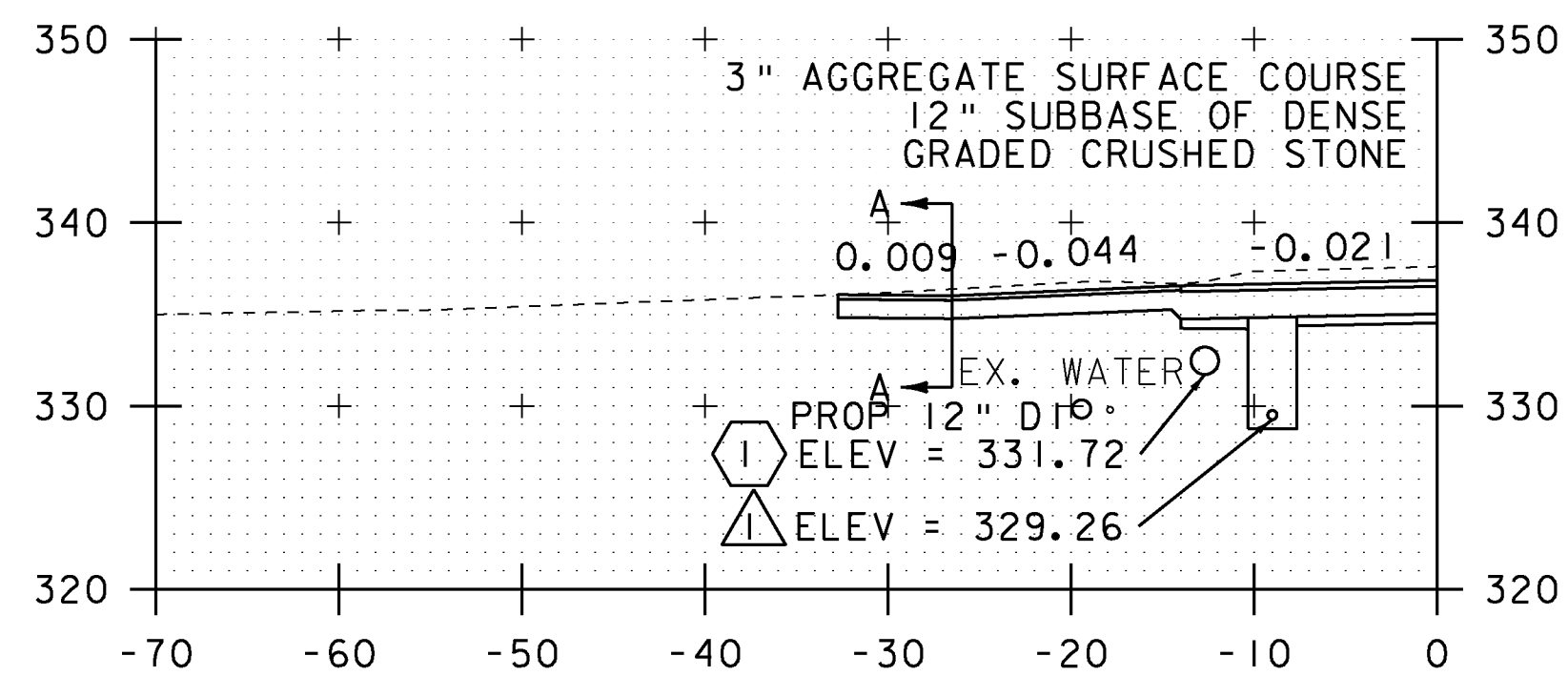
303+85.78  
GRAVEL DRIVE RT



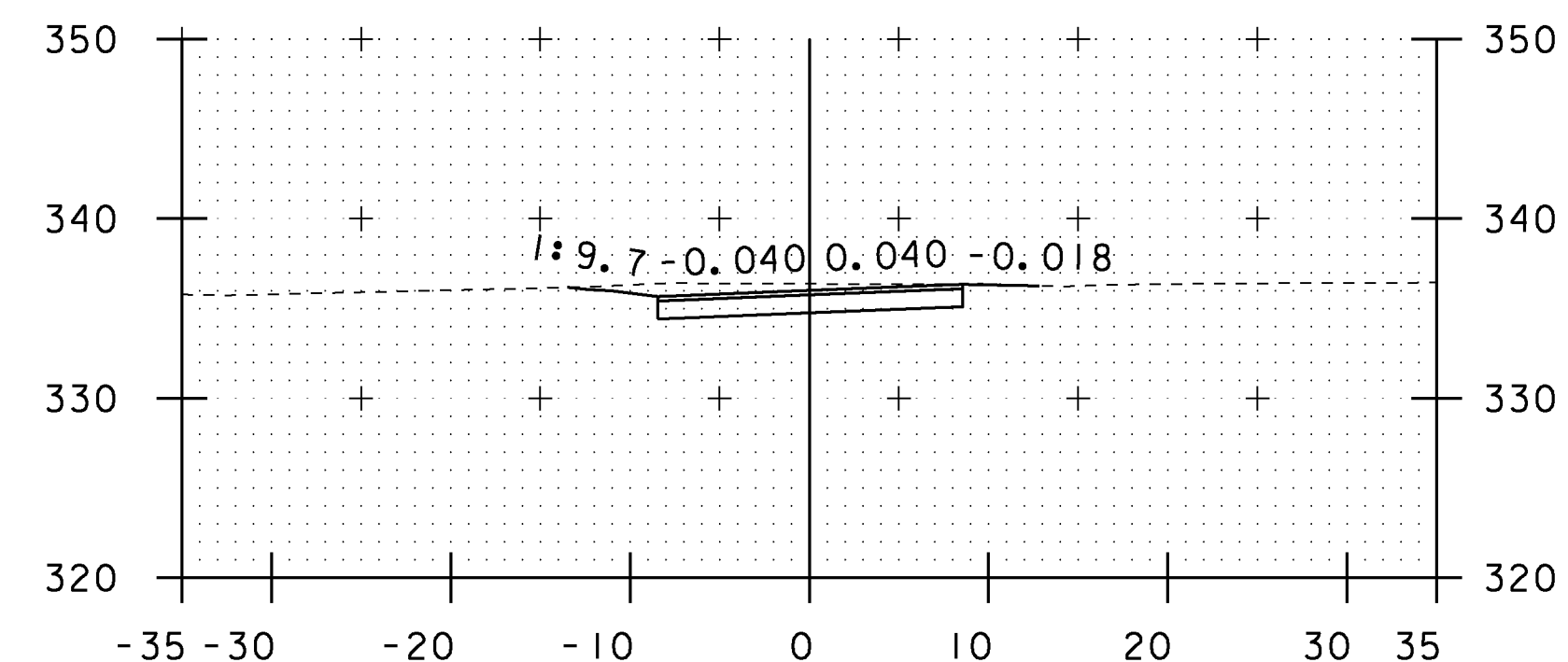
SECTION A-A



303+50

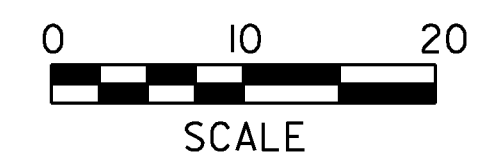


303+37.16  
GRAVEL DRIVE LT



SECTION A-A

EXISTING & PROPOSED WATERLINES  
ARE FOR REFERENCE ONLY. PLEASE  
REFER TO WATERLINE SHEETS 102-104



NOTE:  
DRAINAGE FEATURES ARE NOT PROJECTED ONTO  
CROSS SECTIONS, PLEASE REFER TO DRAINAGE  
LAYOUT AND DRAINAGE PROFILE SHEETS FOR  
DETAILED INFORMATION (TYP.)

STA. 303+37.16 TO STA. 303+85.78

PROJECT NAME: MILTON  
PROJECT NUMBER: STP 5800 (2)

FILE NAME: +92D289xsl.dgn PLOT DATE: 23-FEB-2011  
PROJECT LEADER: J. SCHULTZ DRAWN BY: D. LYMAN  
DESIGNED BY: D. LYMAN CHECKED BY: J. DEVLIN  
LAKE ROAD CROSS SECTION SHEET 4 SHEET 94 OF 104