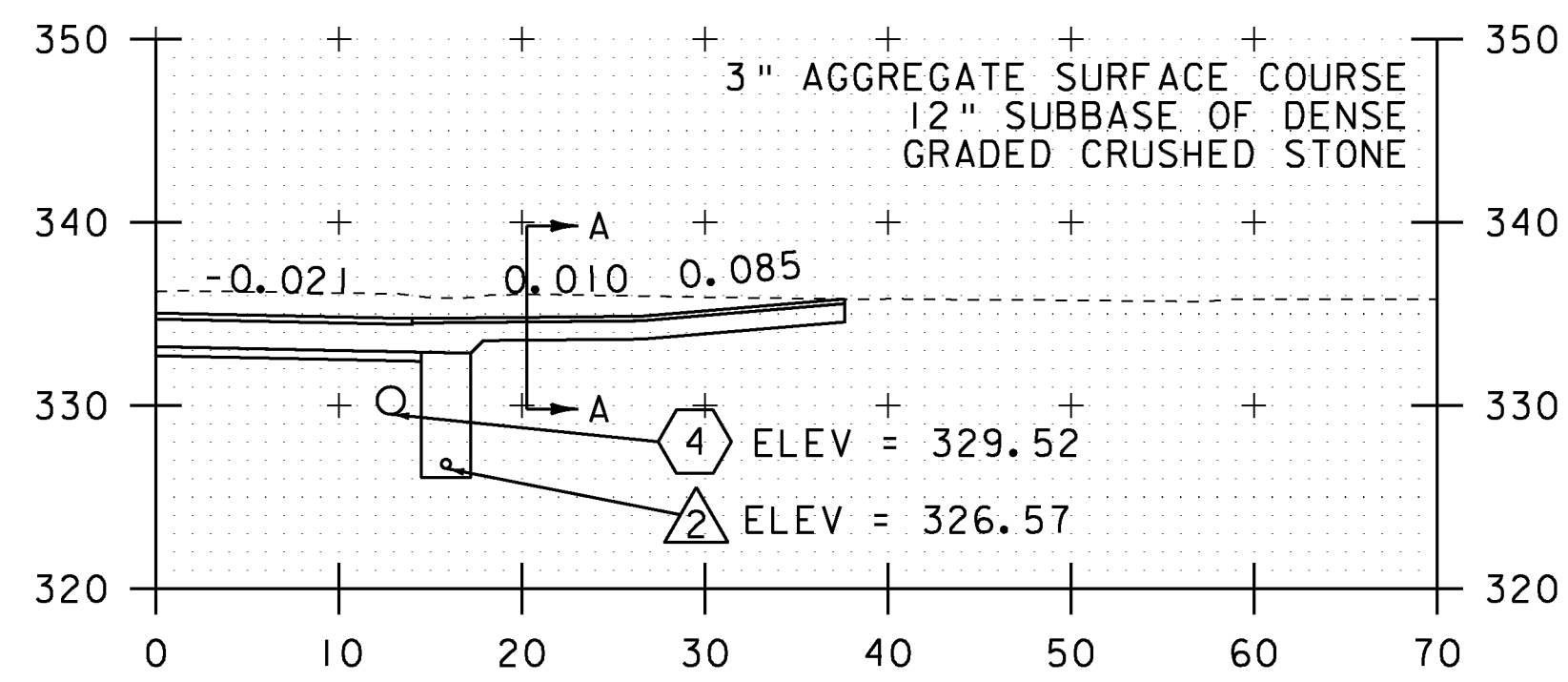
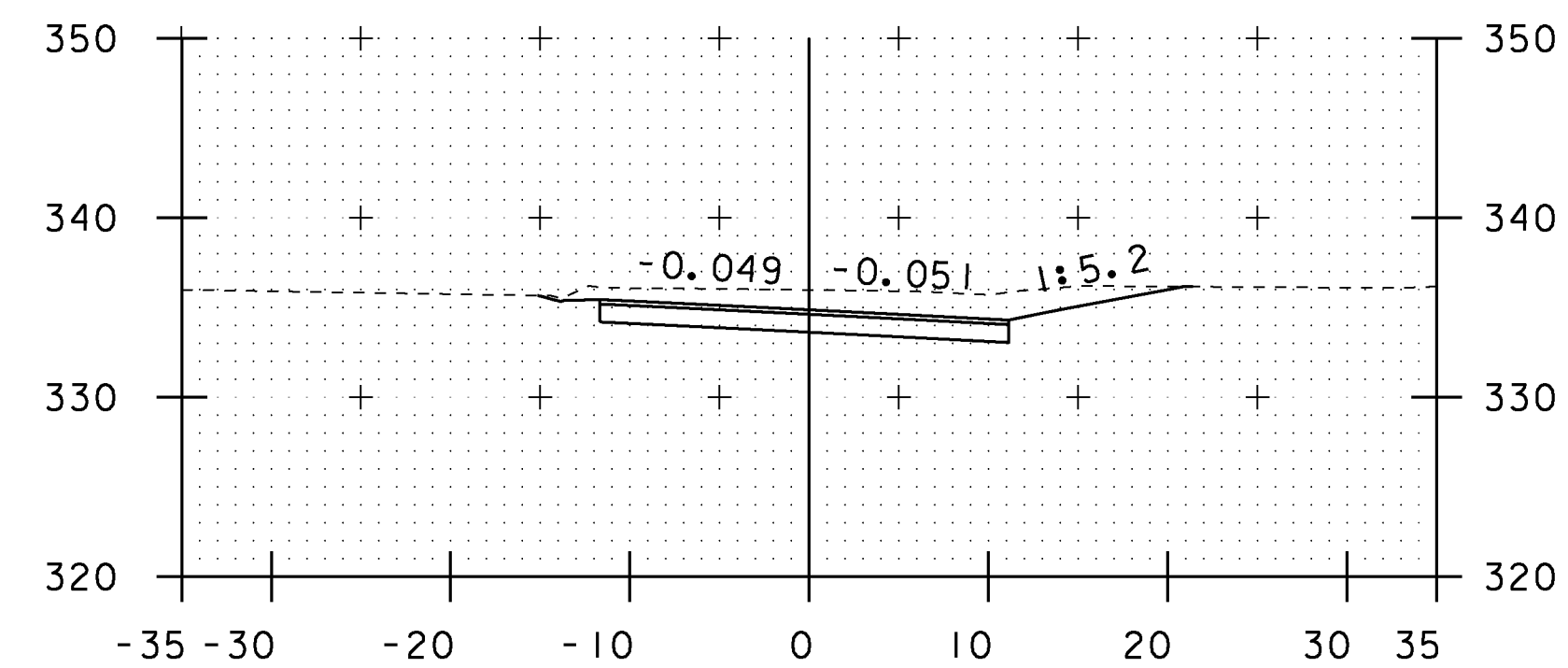


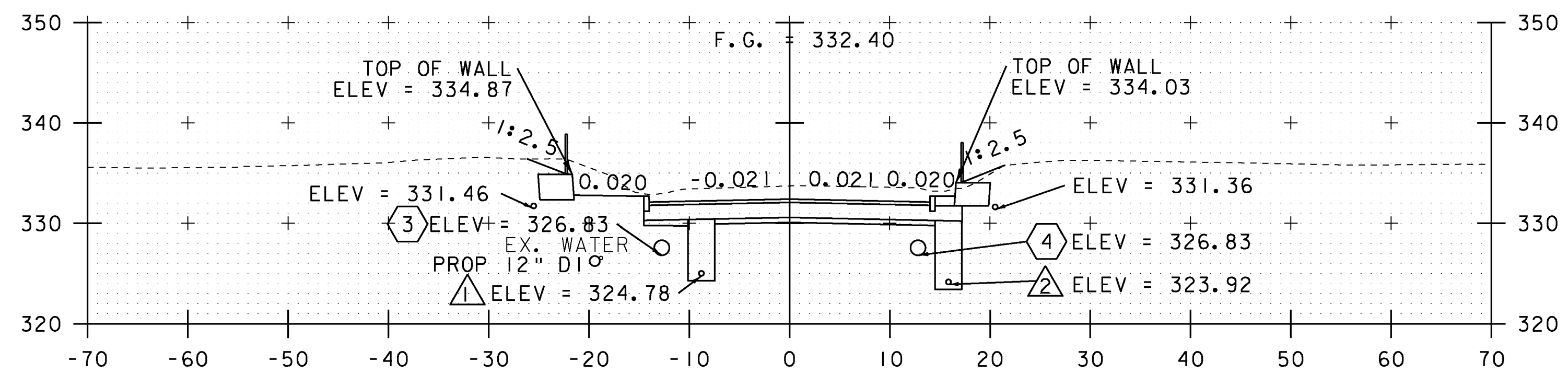
303+00



302+97.06
GRAVEL DRIVE RT

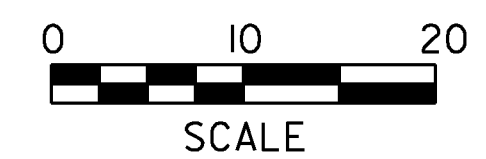


SECTION A-A



302+50

EXISTING & PROPOSED WATERLINES
ARE FOR REFERENCE ONLY. PLEASE
REFER TO WATERLINE SHEETS 102-104



NOTE:
DRAINAGE FEATURES ARE NOT PROJECTED ONTO
CROSS SECTIONS, PLEASE REFER TO DRAINAGE
LAYOUT AND DRAINAGE PROFILE SHEETS FOR
DETAILED INFORMATION (TYP.)

STA. 302+50 TO STA. 303+00

PROJECT NAME: MILTON
PROJECT NUMBER: STP 5800 (2)

FILE NAME: +92D289xsl.dgn
PROJECT LEADER: J. SCHULTZ
DESIGNED BY: D. LYMAN
LAKE ROAD CROSS SECTION SHEET 3

PLOT DATE: 23-FEB-2011
DRAWN BY: D. LYMAN
CHECKED BY: J. DEVLIN
SHEET 93 OF 104