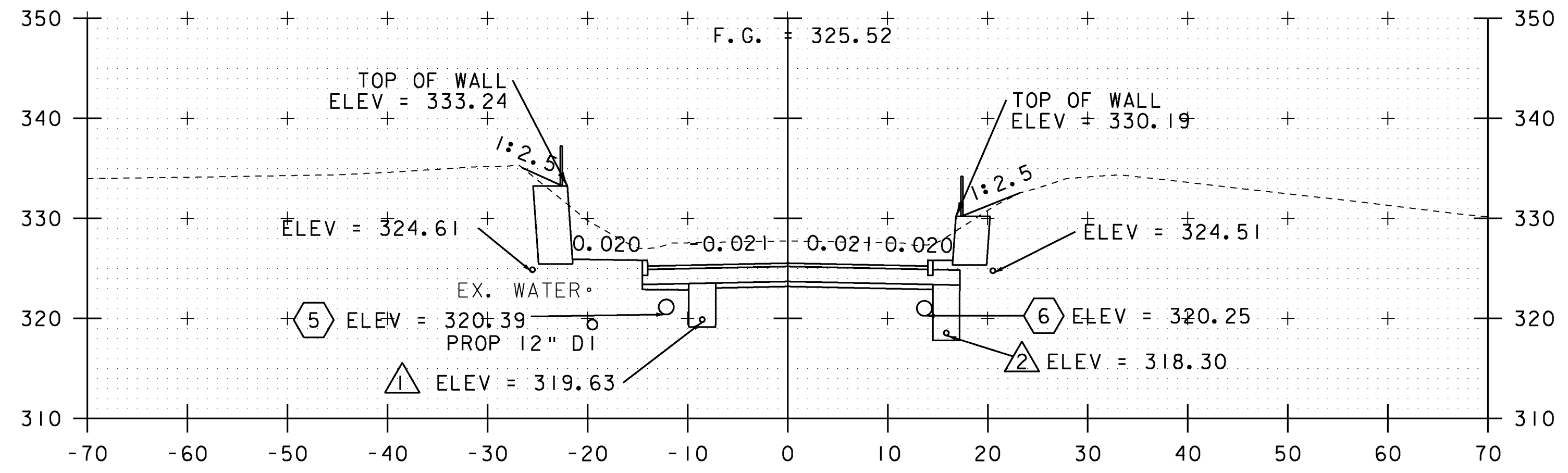
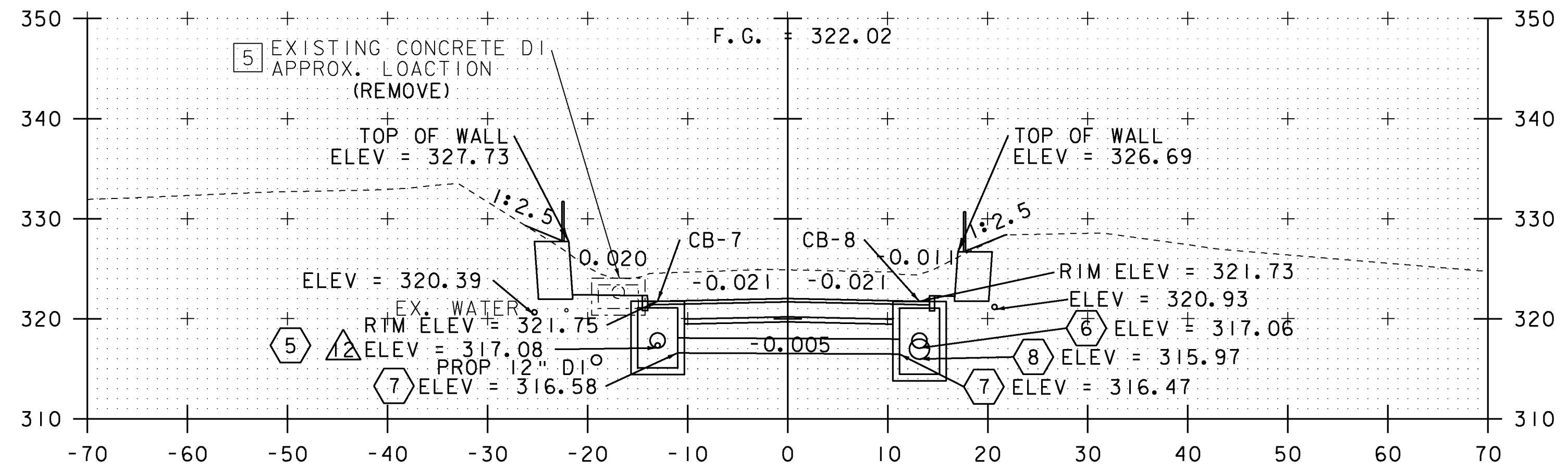


302+00

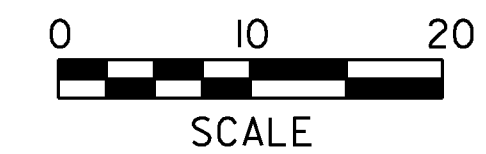


301+50



301+00

EXISTING & PROPOSED WATERLINES ARE FOR REFERENCE ONLY. PLEASE REFER TO WATERLINE SHEETS 102-104



NOTE:  
DRAINAGE FEATURES ARE NOT PROJECTED ONTO CROSS SECTIONS, PLEASE REFER TO DRAINAGE LAYOUT AND DRAINAGE PROFILE SHEETS FOR DETAILED INFORMATION (TYP.)

STA. 301+00 TO STA. 302+00

PROJECT NAME: MILTON  
PROJECT NUMBER: STP 5800 (2)

FILE NAME: +92D289xsl.dgn PLOT DATE: 23-FEB-2011  
PROJECT LEADER: J. SCHULTZ DRAWN BY: D. LYMAN  
DESIGNED BY: D. LYMAN CHECKED BY: J. DEVLIN  
LAKE ROAD CROSS SECTION SHEET 2 SHEET 92 OF 104