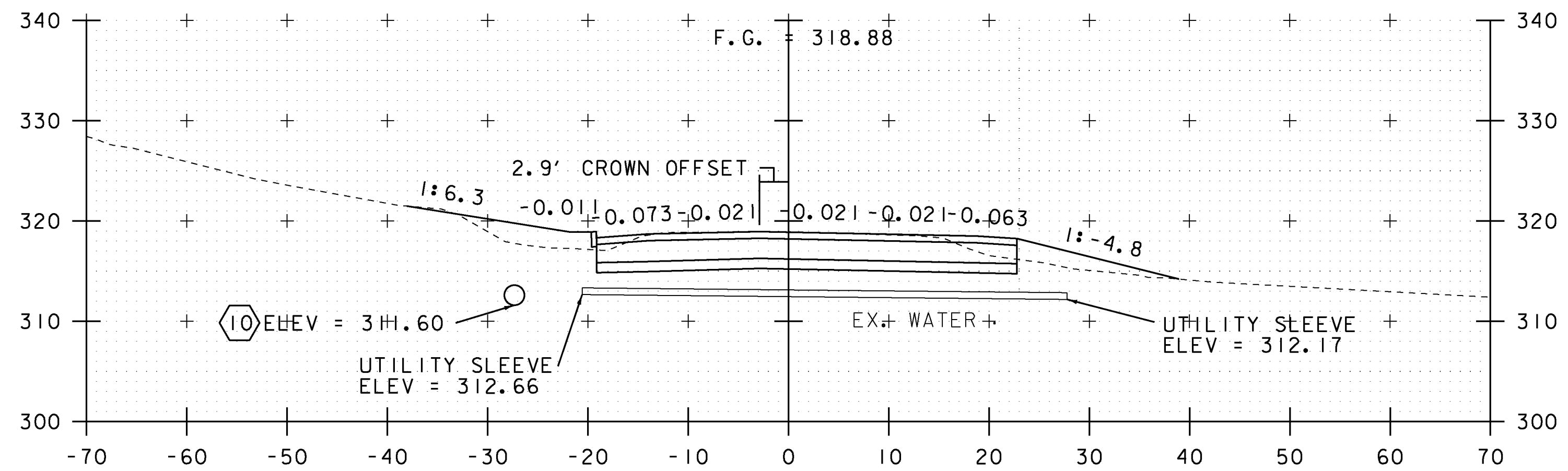
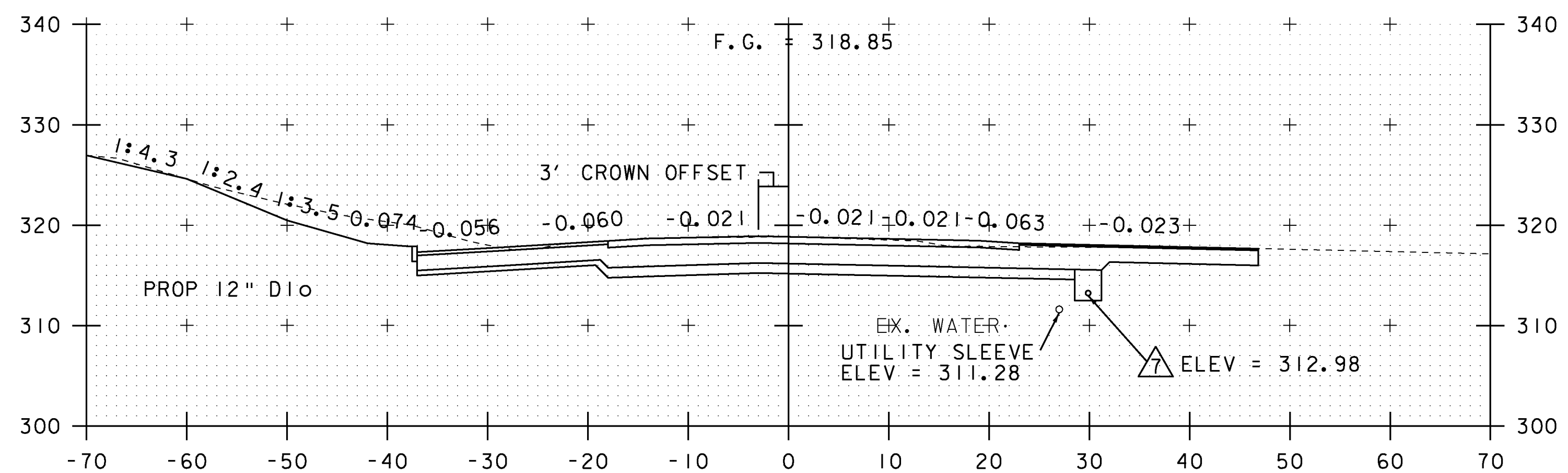


108+50

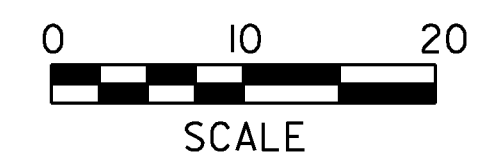


108+25
8" DIAMETER UTILITY SLEEVE



108+00

EXISTING & PROPOSED WATERLINES
ARE FOR REFERENCE ONLY. PLEASE
REFER TO WATERLINE SHEETS 102-104



NOTE:
DRAINAGE FEATURES ARE NOT PROJECTED ONTO
CROSS SECTIONS, PLEASE REFER TO DRAINAGE
LAYOUT AND DRAINAGE PROFILE SHEETS FOR
DETAILED INFORMATION (TYP.)

STA. 108+00 TO STA. 108+50

PROJECT NAME: MILTON
PROJECT NUMBER: STP 5800 (2)

FILE NAME: +92D289xsl.dgn PLOT DATE: 23-FEB-2011
PROJECT LEADER: J. SCHULTZ DRAWN BY: D. LYMAN
DESIGNED BY: D. LYMAN CHECKED BY: J. DEVLIN
US ROUTE 7 CROSS SECTION SHEET 10 SHEET 87 OF 104