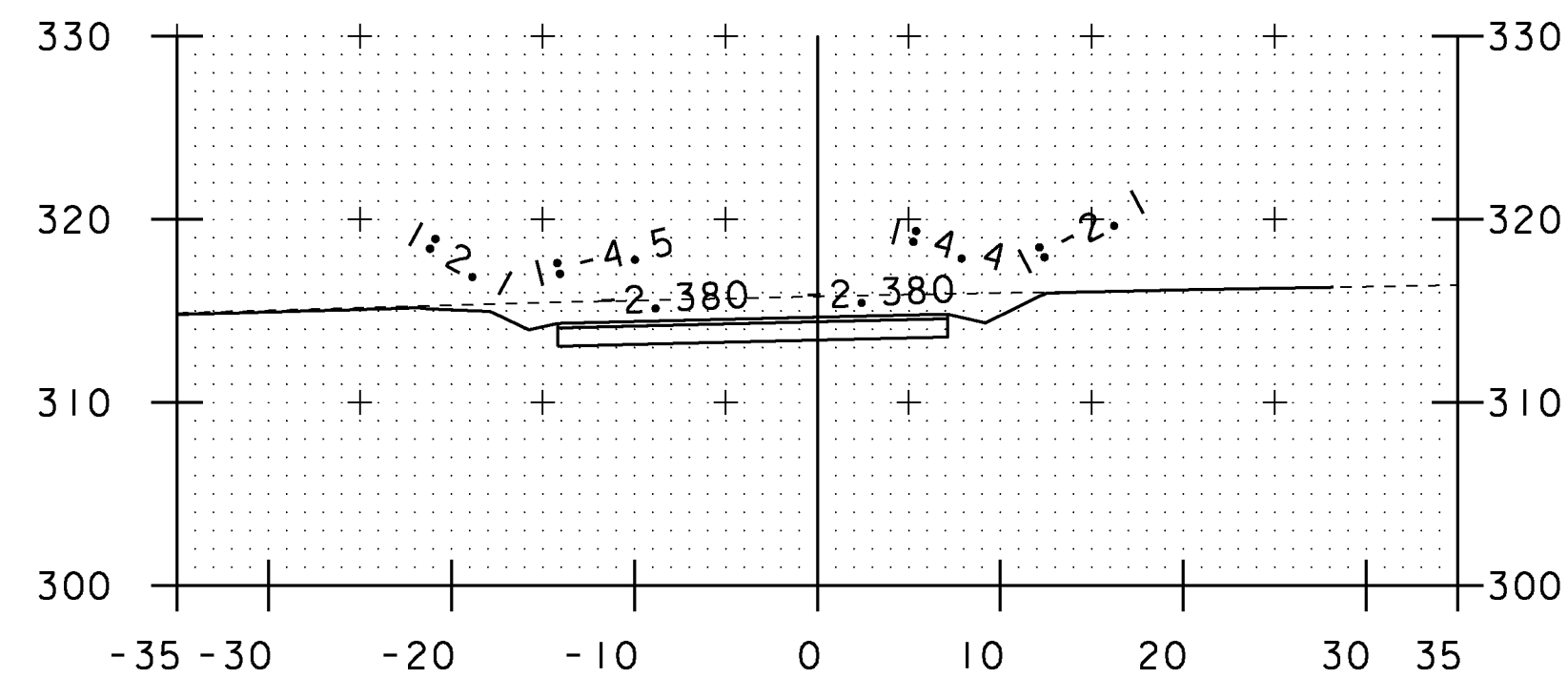
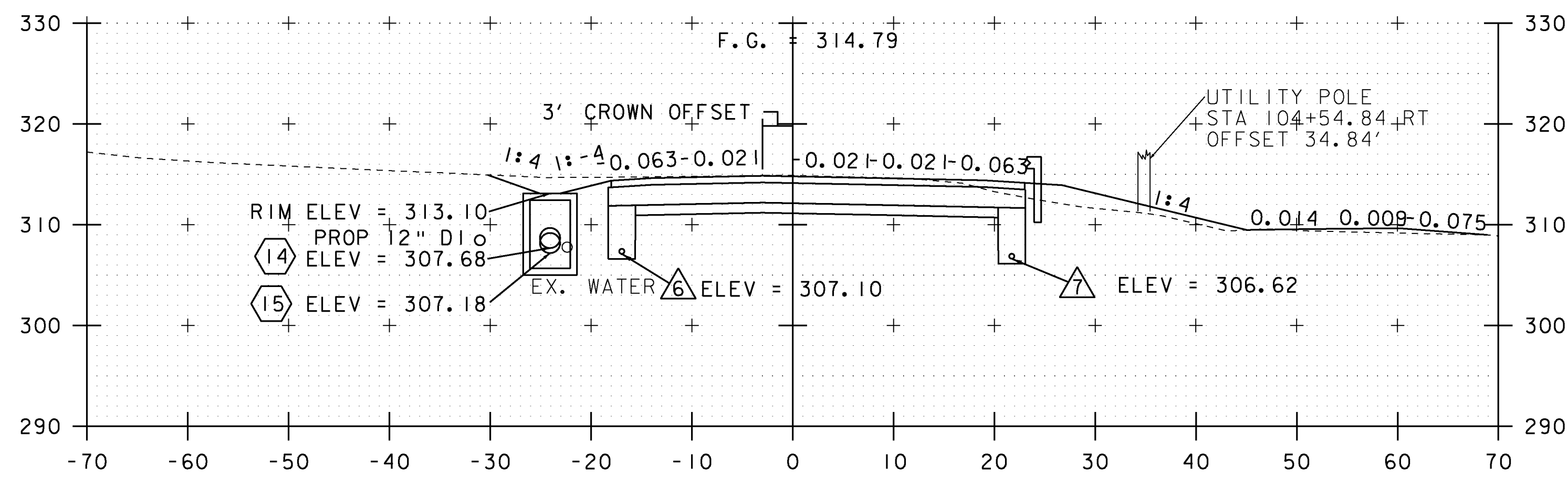


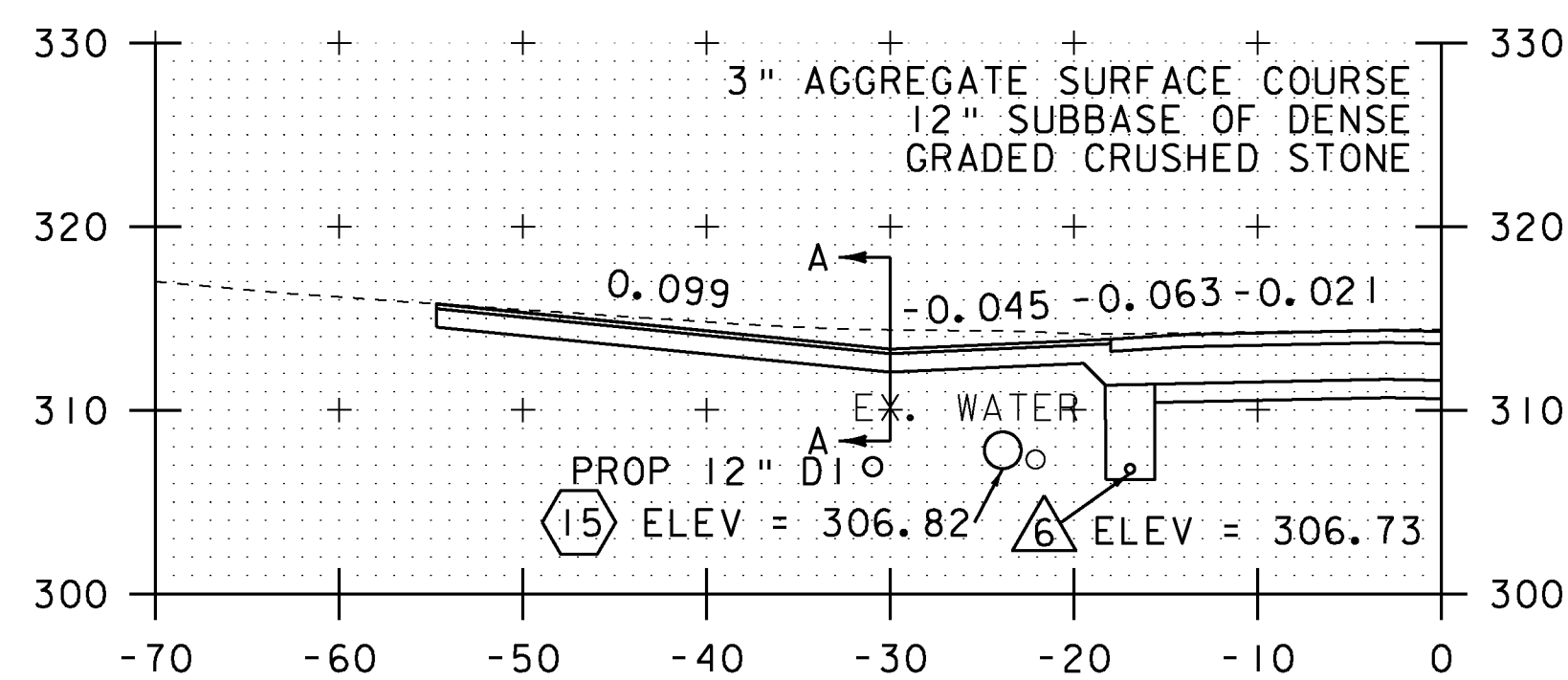
104+83.50
GRAVEL DRIVE LT



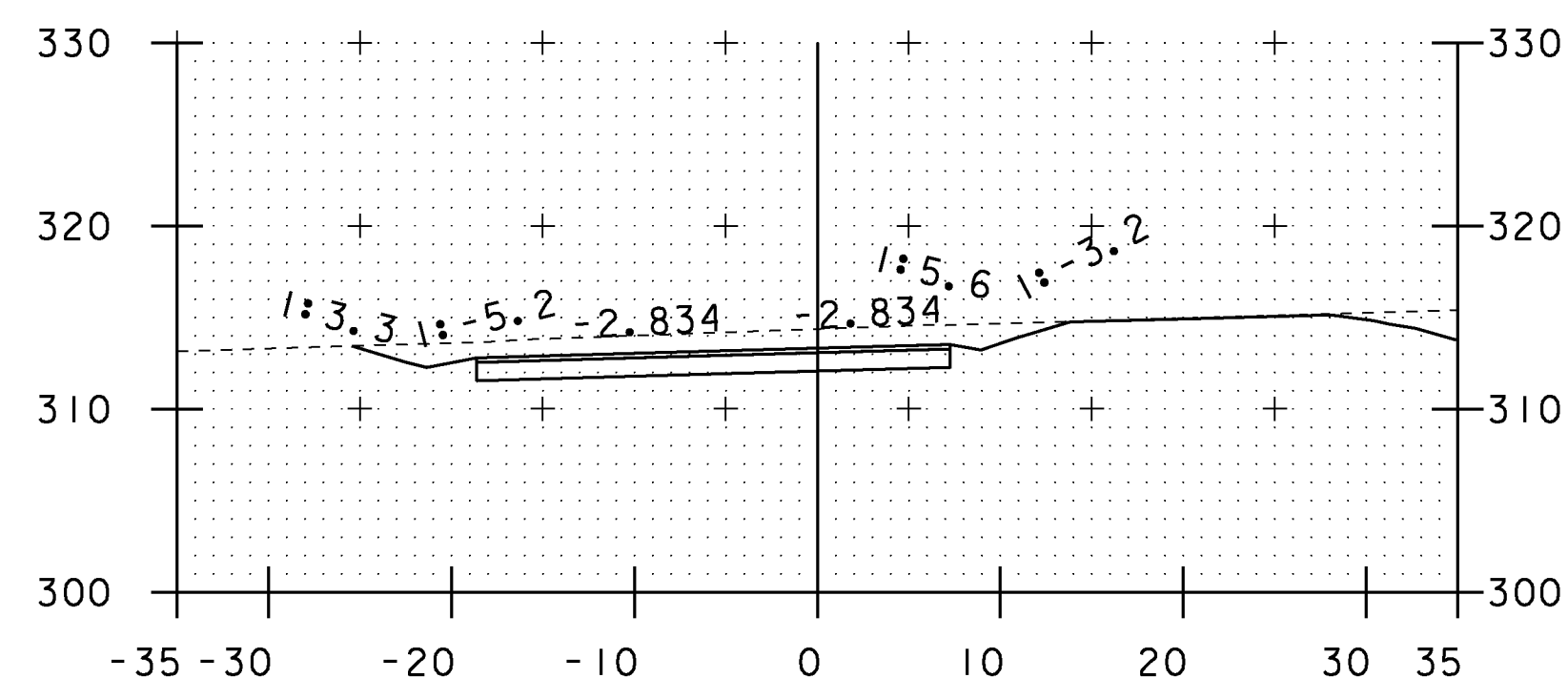
SECTION A-A



104+50

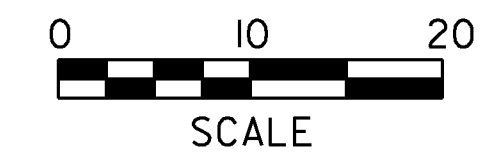


104+31.22
GRAVEL DRIVE LT



SECTION A-A

EXISTING & PROPOSED WATERLINES
ARE FOR REFERENCE ONLY. PLEASE
REFER TO WATERLINE SHEETS 102-104



NOTE:
DRAINAGE FEATURES ARE NOT PROJECTED ONTO
CROSS SECTIONS, PLEASE REFER TO DRAINAGE
LAYOUT AND DRAINAGE PROFILE SHEETS FOR
DETAILED INFORMATION (TYP.)

STA. 104+31.22 TO STA. 104+83.50

PROJECT NAME: MILTON	PLOT DATE: 23-FEB-2011
PROJECT NUMBER: STP 5800 (2)	DRAWN BY: D. LYMAN
FILE NAME: +92D289xsl.dgn	CHECKED BY: J. DEVLIN
PROJECT LEADER: J. SCHULTZ	SHEET 83 OF 104
DESIGNED BY: D. LYMAN	
US ROUTE 7 CROSS SECTION SHEET 6	