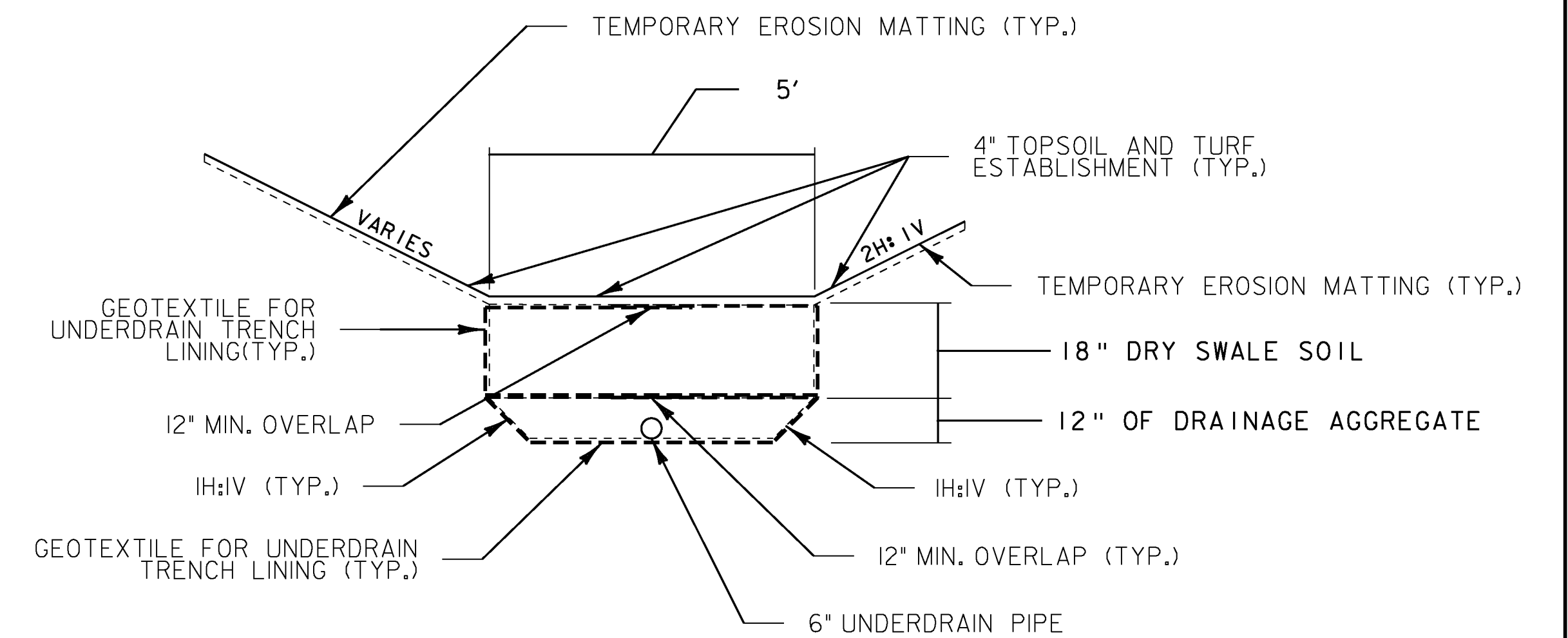
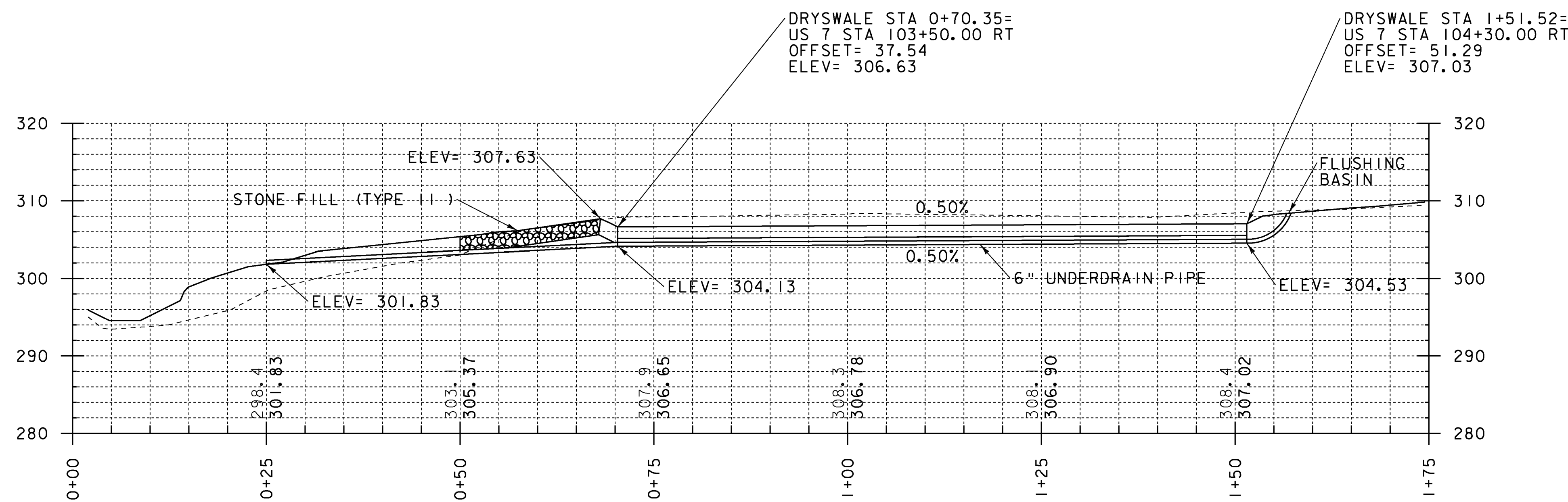


**900.640 SPECIAL PROVISION
(6" UNDERDRAIN PIPE, DRY SWALE)
PLAN**



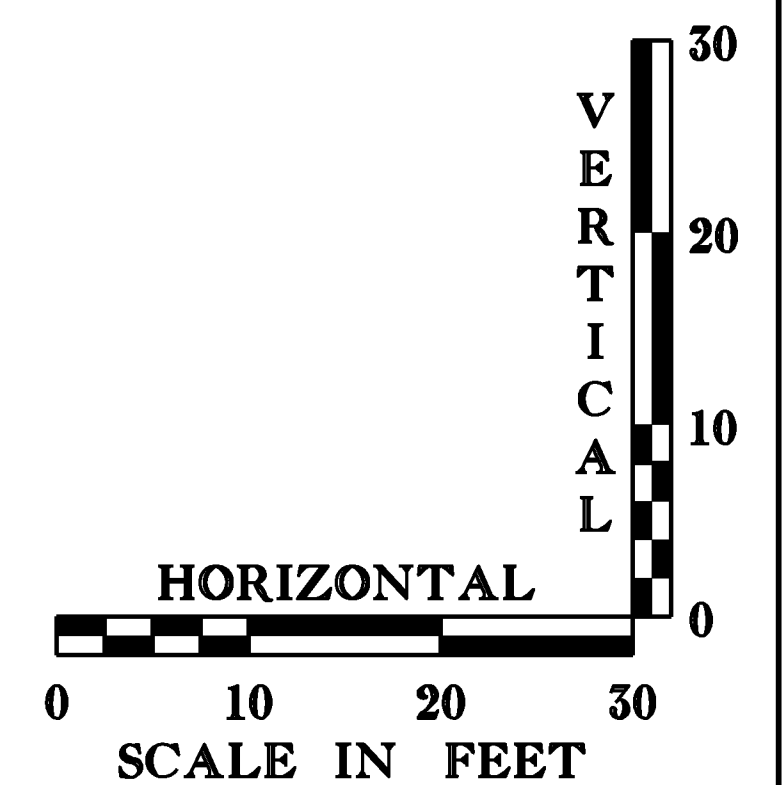
**900.640 SPECIAL PROVISION
(6" UNDERDRAIN PIPE, DRY SWALE)
US ROUTE 7
104+30.00 RT - 103+50.00 RT
NOT TO SCALE**



**900.640 SPECIAL PROVISION
(6" UNDERDRAIN PIPE, DRY SWALE)
PROFILE**

DRY SWALE NOTES

1. THE CONTRACTOR SHALL WRAP GEOTEXTILE FOR UNDERDRAIN TRENCH LINING AROUND THE DRY SWALE SOIL AND DRAINAGE AGGREGATE SEPARATELY WITH A MINIMUM OF 12" OVERLAP AT ENDS.
2. THE CONTRACTOR SHALL PLACE TEMPORARY EROSION MATTING WITH GRASS AND SEED OVER THE DRY SWALE SOIL.



PROJECT NAME: MILTON	PLOT DATE: 23-FEB-2011
PROJECT NUMBER: STP 5800 (2)	DRAWN BY: D. LYMAN
FILE NAME: +92d289+yp.dgn	DESIGNED BY: D. LYMAN
DESIGNED BY: D. LYMAN	CHECKED BY: J. DEVLIN
STORMWATER TREATMENT DETAIL SHEET	SHEET 37 OF 104