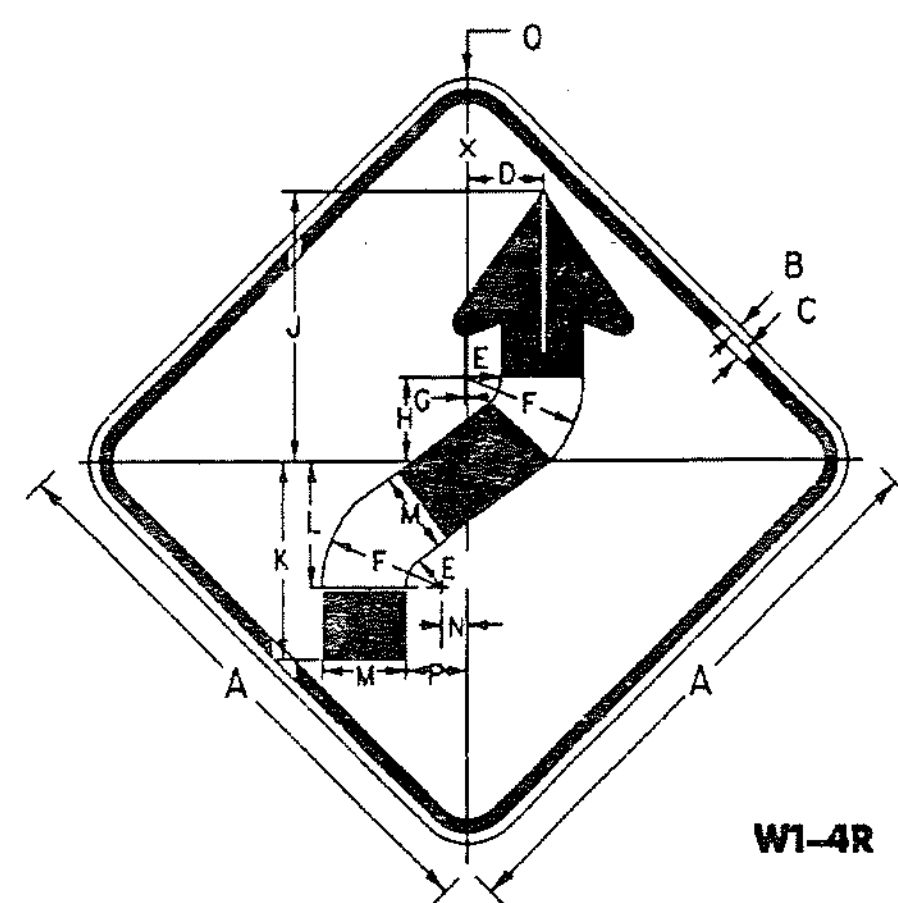
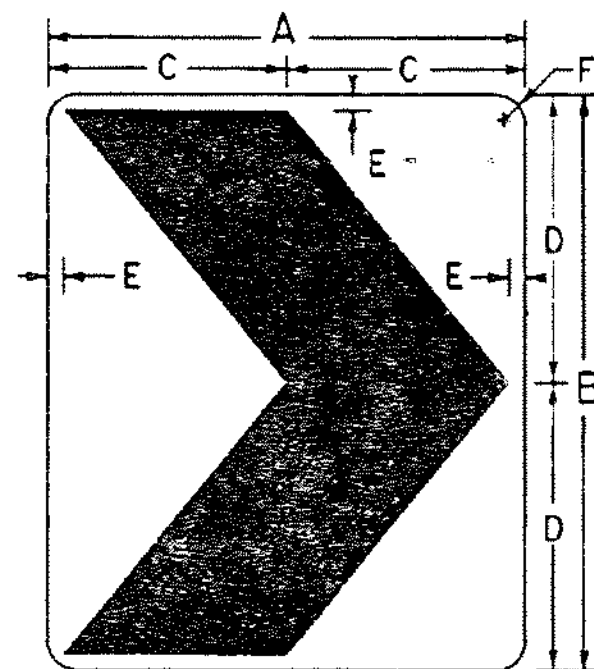


W1-3R

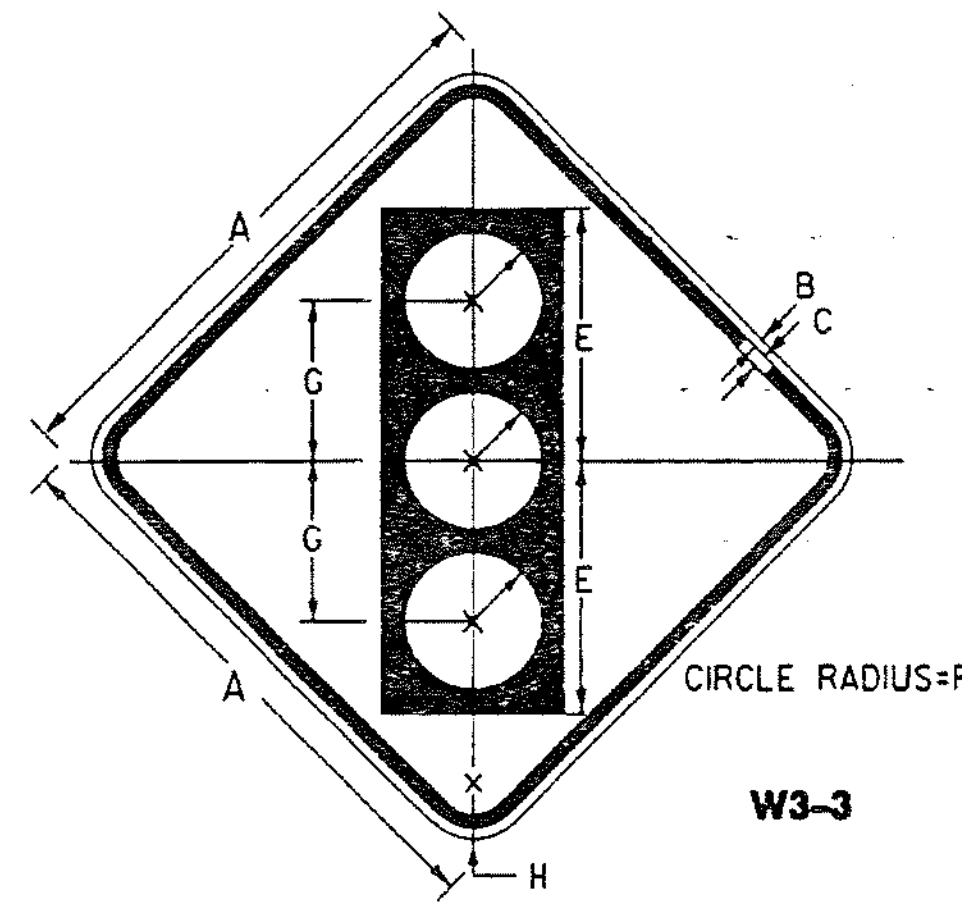


W1-4R



W1-8

SIGN	DIMENSIONS (INCHES)					
	A	B	C	D	E	F
STD.	18	24	9	12	3/4	1 1/2
SPECIAL	24	30	12	15	7/8	1 1/2
EXPWY.	30	36	15	18	1	1 7/8
FRWY.	36	48	18	24	1 1/8	2 1/4

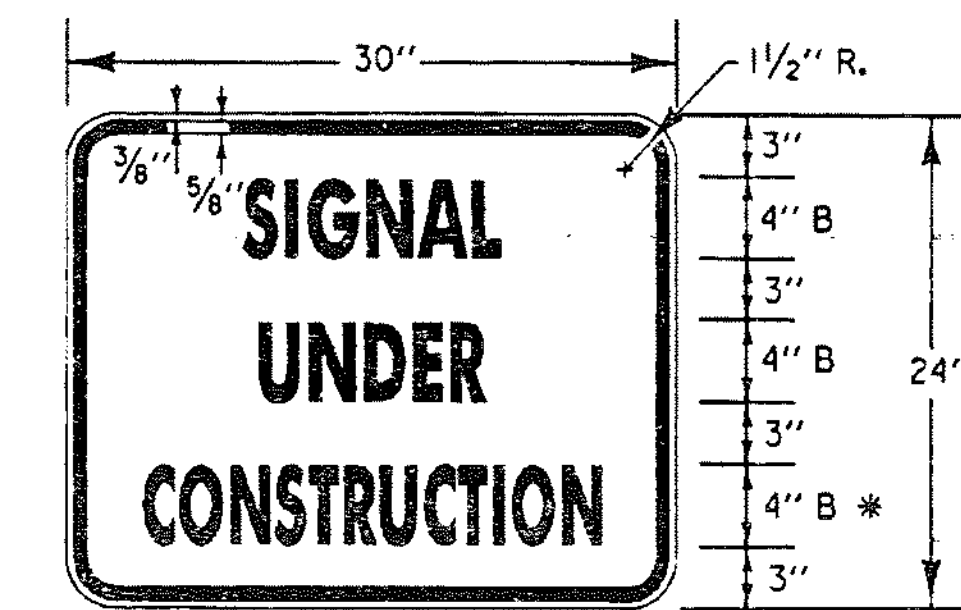


W3-3

SIGN	DIMENSIONS (INCHES)							
	A	B	C	D	E	F	G	H
STD. & MIN.	36	5/8	7/8	5 3/4	15 3/4	4 1/4	10	2 1/4
SPECIAL	48	3/4	1 1/4	7 1/2	20	5	12 1/2	3

COLORS

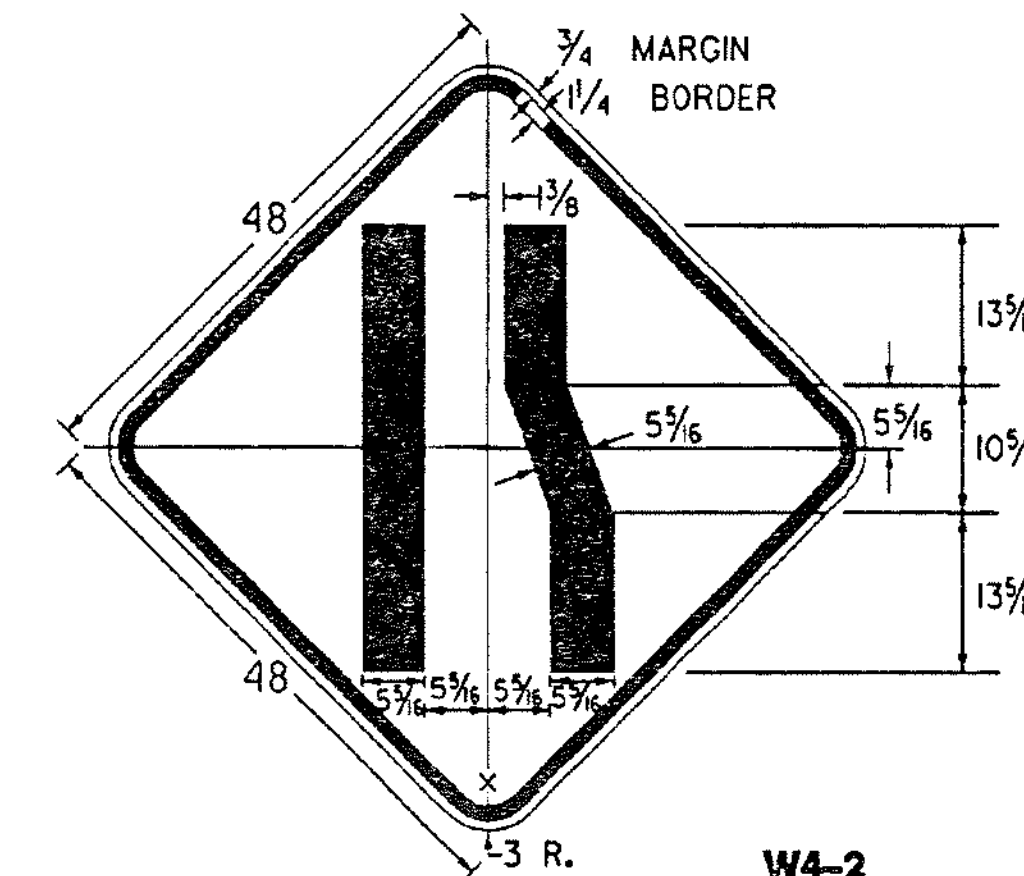
SYMBOL & LEGEND - BLACK (NON-REFL)
 TOP CIRCLE RED (REFL)
 MIDDLE CIRCLE YELLOW (REFL)
 BOTTOM CIRCLE GREEN (REFL)
 BACKGROUND - ORANGE (REFL)



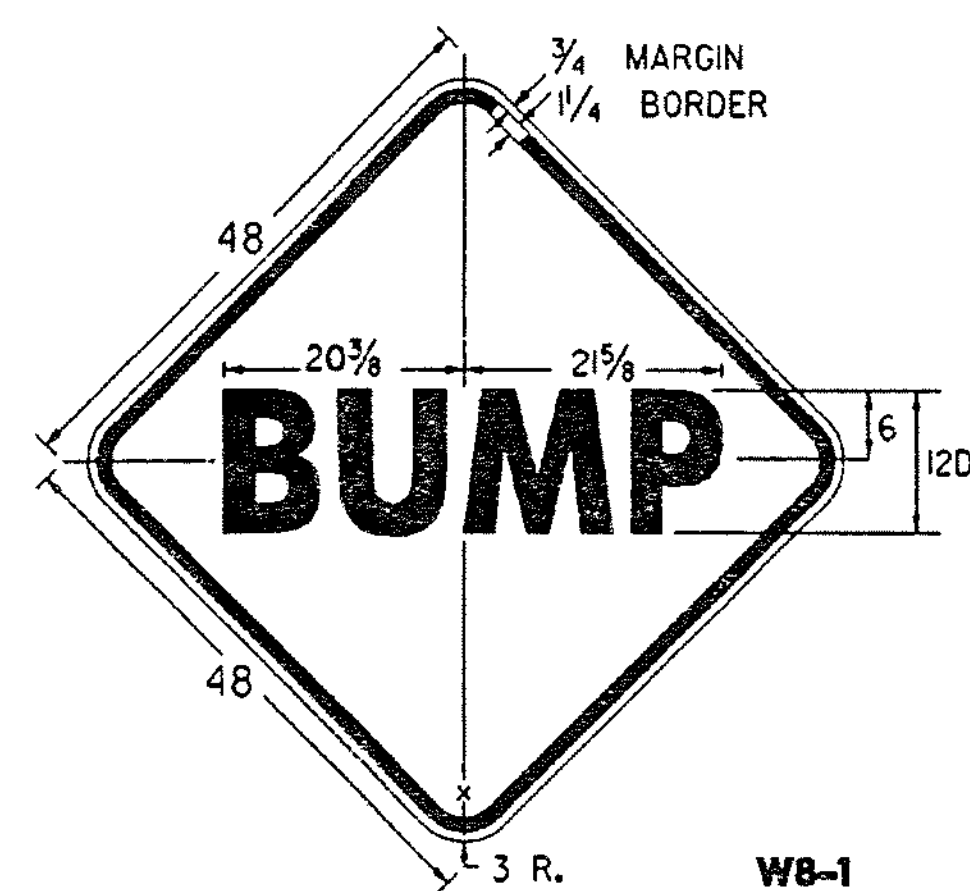
* REDUCE SPACING 50%

SIGN	DIMENSIONS (INCHES)											
	A	B	C	D	E	F	G	H	J	K	L	M
STD. & MIN.	36	5/8	7/8	17 1/8	4 1/2	5 1/4	1 1/4	3 5/8	4 1/2	12 5/8	1 3/8	2 1/4
SPECIAL	48	3/4	1 1/4	23 3/8	5 5/8	7	1 5/8	4 7/8	6	16 5/8	2 3/8	3

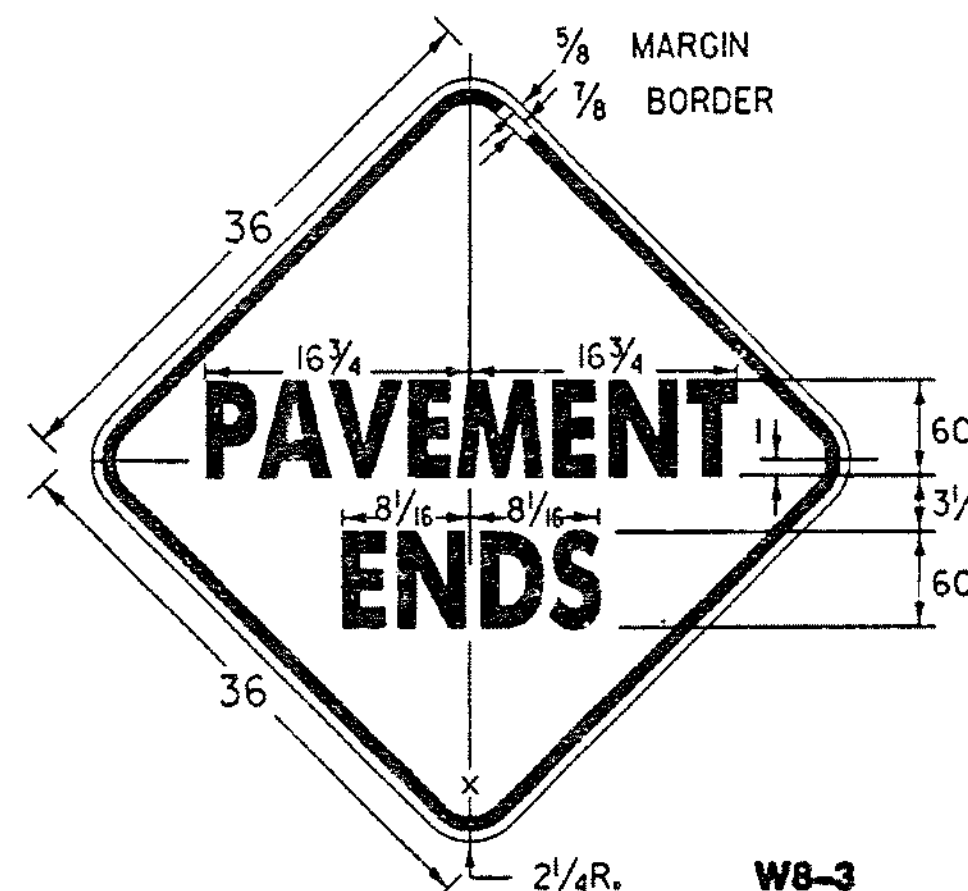
SIGN	DIMENSIONS (INCHES)														
	A	B	C	D	E	F	G	H	J	K	L	M	N	P	Q
STD. & MIN.	36	5/8	7/8	4 3/8	2 1/4	7 1/2	3/2	5 1/4	16 3/8	12 3/8	7 3/8	5 1/4	1 1/8	3 1/8	2 1/4
SPECIAL	48	3/4	1 1/4	6 5/8	3	10	3/8	7	22 1/2	16 1/2	10 1/2	7	2 1/4	5 1/4	3



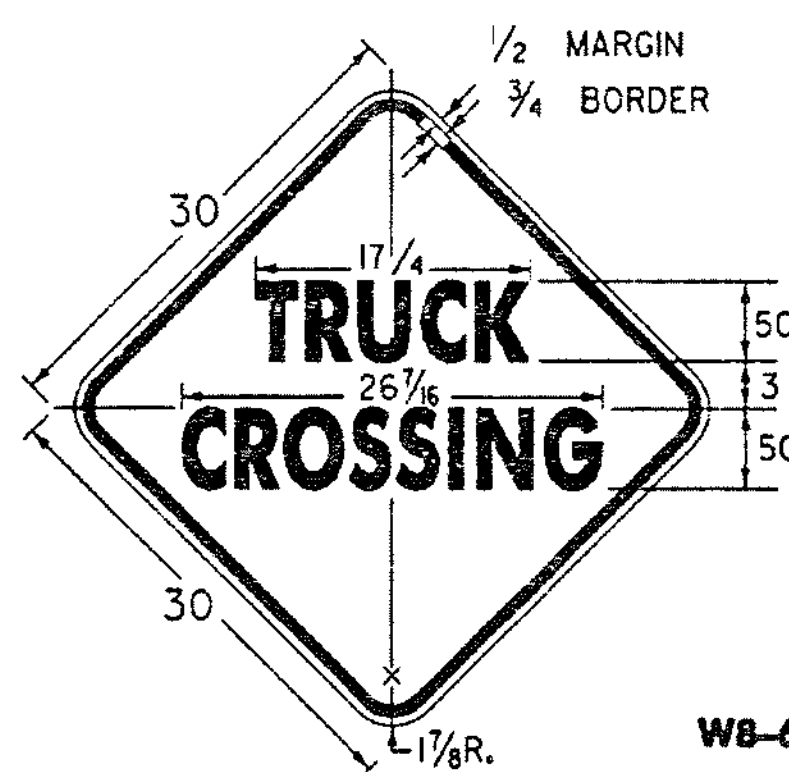
W4-2



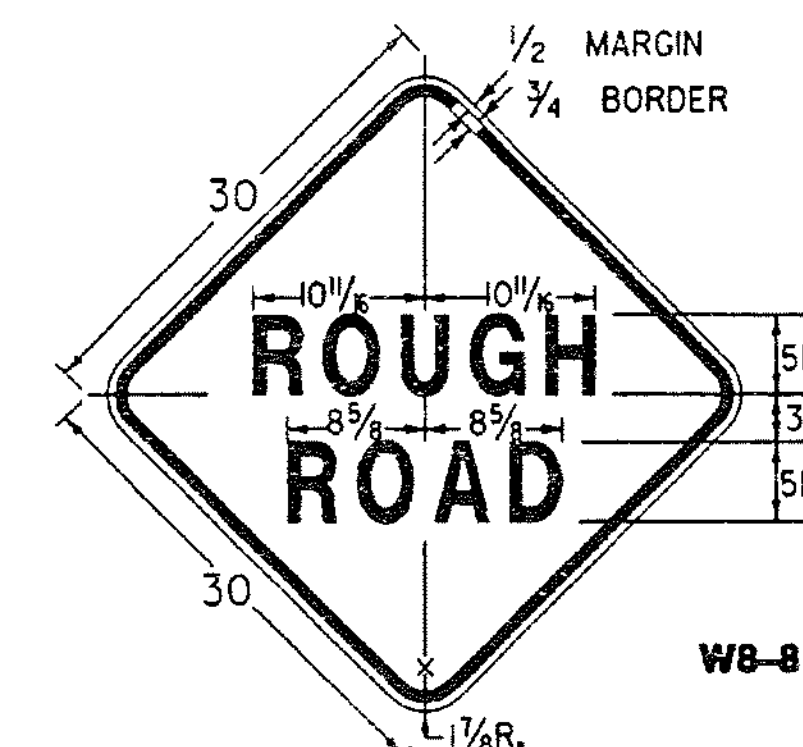
W8-1



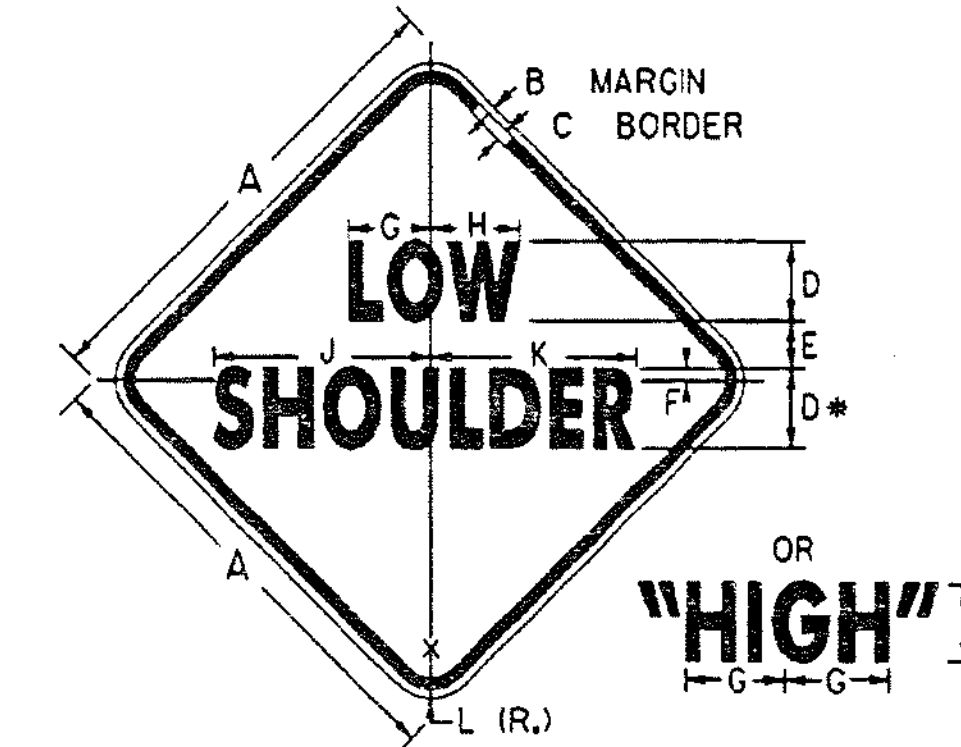
W8-3



W8-6



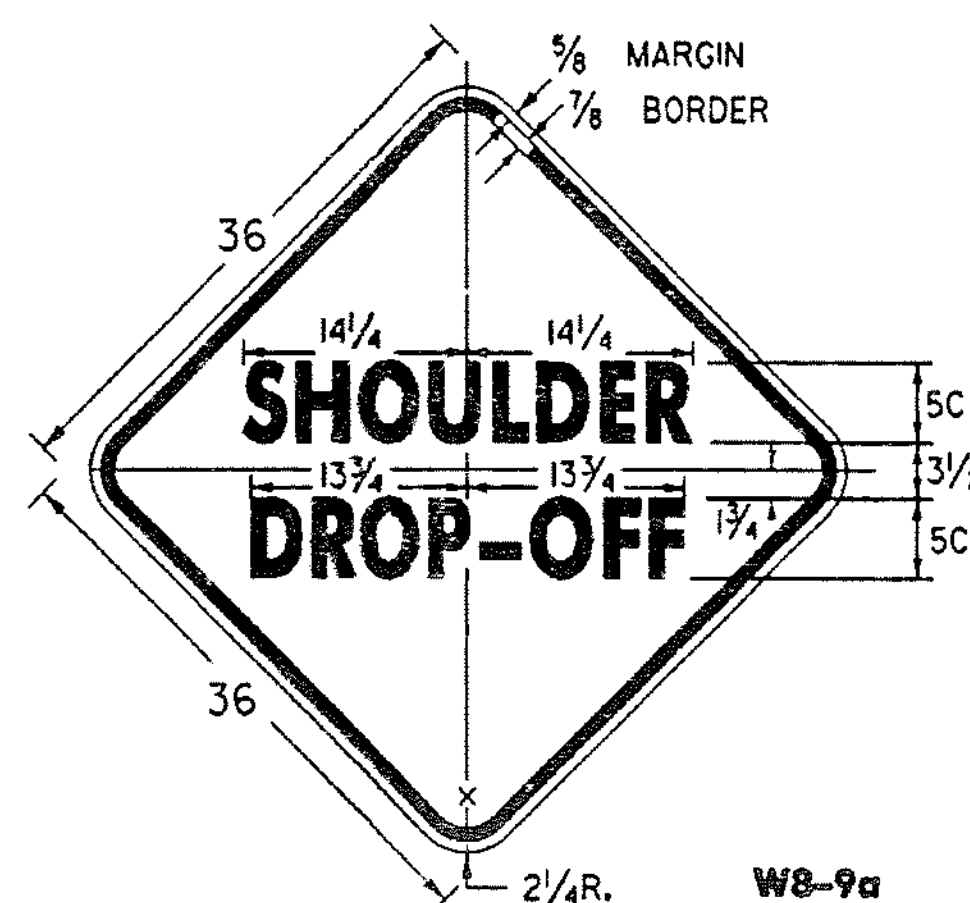
W8-8



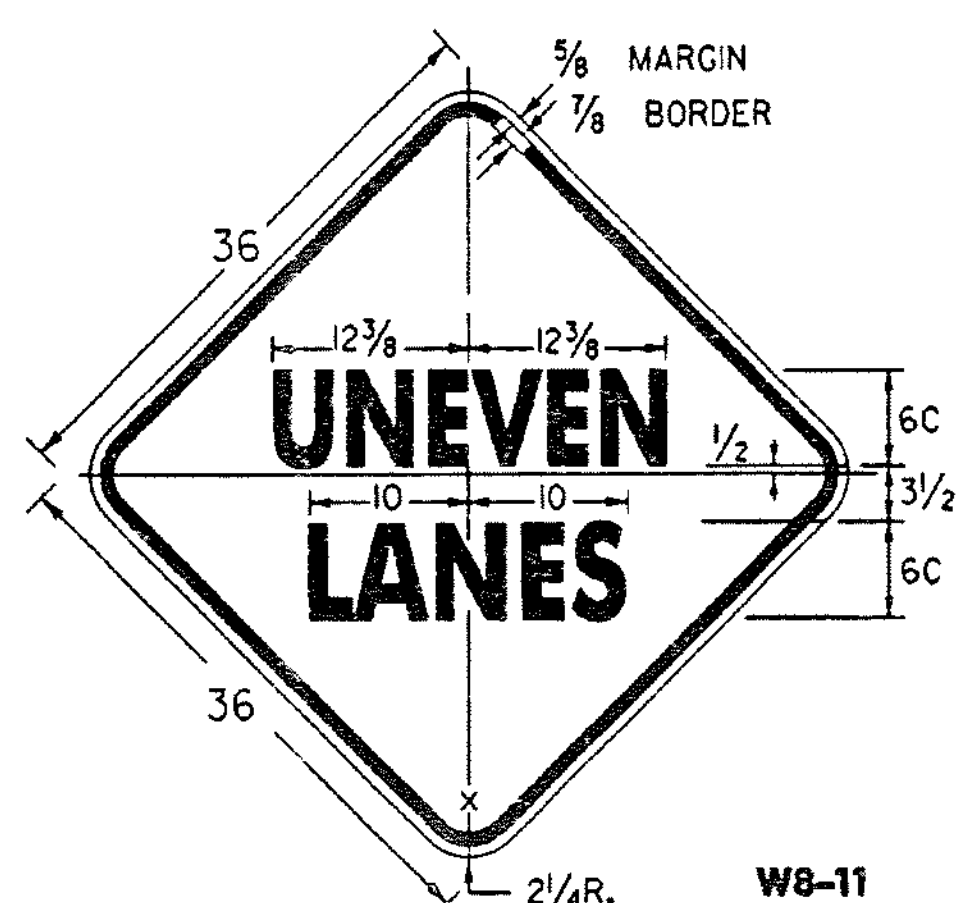
W8-9

SIGN	DIMENSIONS (INCHES)										
	A	B	C	D	E	F	G	H	J	K	L
STD.	30	1 1/2	3/4	5C	3	3 1/4	5 3/8	5 5/8	13 3/8	13 3/8	1 3/4
FWY.	48	3/4	1 1/4	8C	5	1 1/4	8 1/4	9	21 1/8	20 3/8	3

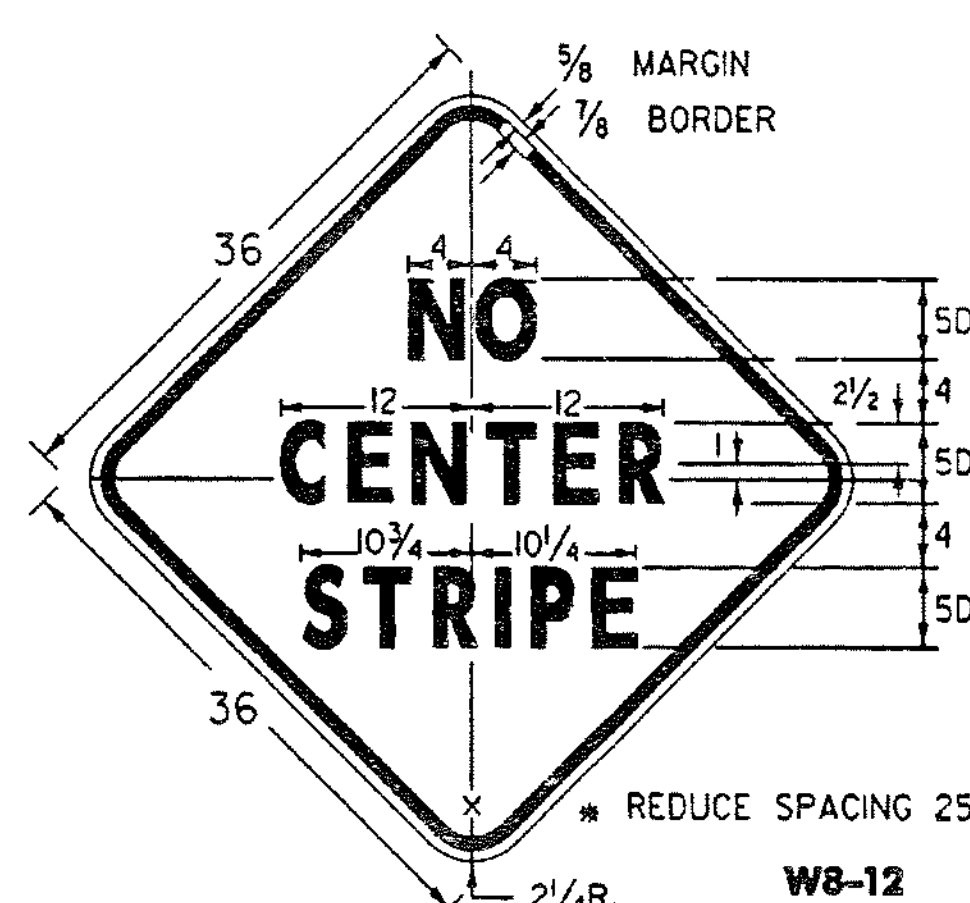
* REDUCE SPACING 25%



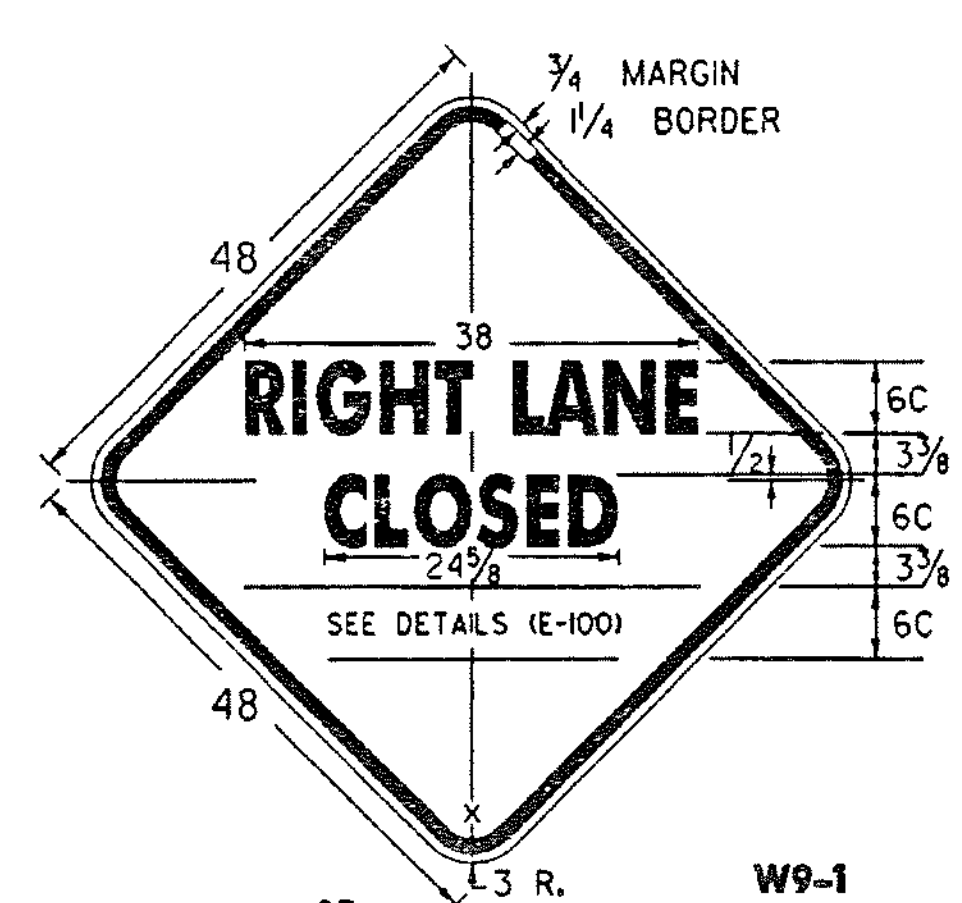
W8-9a



W8-11



W8-12



W9-1

(ALL DIMENSIONS SHOWN IN INCHES)

LEFT LANE

OTHER STDS. E-100 REQUIRED:

REVISIONS AND CORRECTIONS

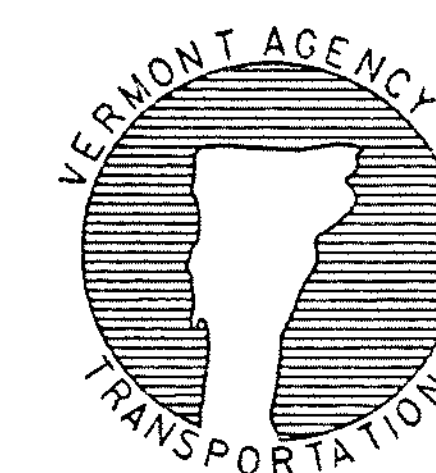
OCT. 30, 1987 - DATE OF ORIGINAL ISSUE
 OCT. 21, 1992 - ADDED ADDITIONAL SIGN DIMENSIONS, REVISED CHEVRON BACKGROUND TO ORANGE, & REVISED TITLE BLOCK
 AUG. 08, 1995 - ADDED AND DELETED VARIOUS SIGN DETAILS

APPROVED

Stephen D. MacArthur
 DIRECTOR OF ENGINEERING

Paul A. Ross
 TRAFFIC AND SAFETY ENGINEER

CONSTRUCTION SIGN DETAILS



STANDARD E-101

APPROVED FOR THIS PROJECT AND/OR DESIGN IMPLEMENTATION. FHWA FINAL APPROVAL PENDING.