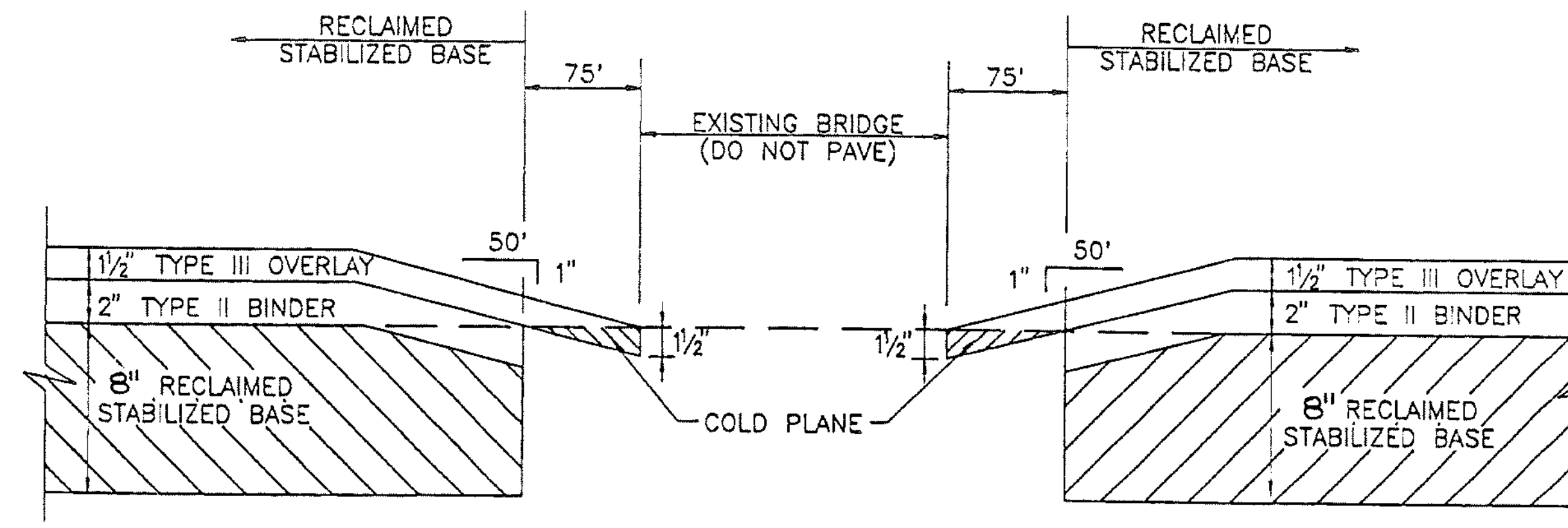


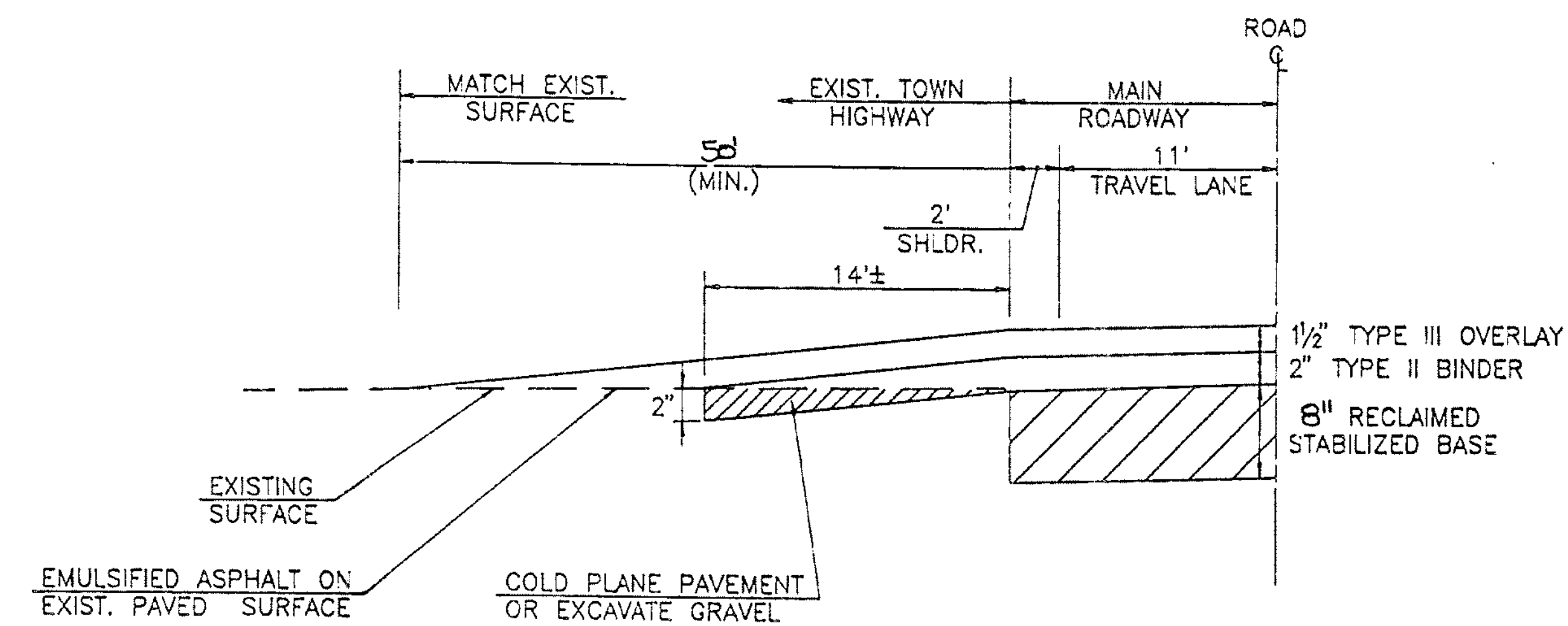
**RECLAIMED STABILIZED BASE
TRANSITION AT BRIDGE**

BRIDGE NO. 17, MM 2.950

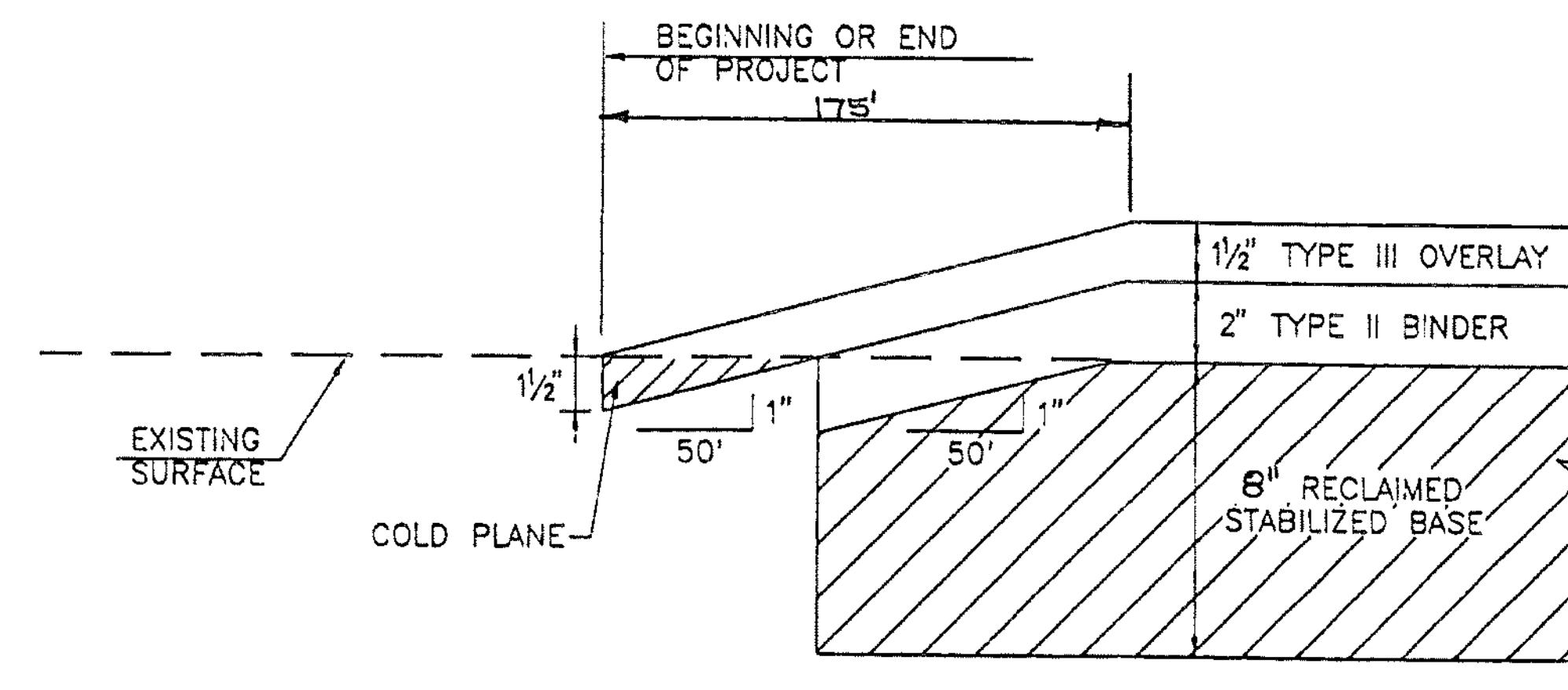


**RECLAIMED STABILIZED BASE
TRANSITION AT BRIDGE**

BRIDGE NO. 16, MM 2.310



**RECLAIMED STABILIZED BASE TRANSITION
AT TOWN HIGHWAYS RECEIVING
DETAIL I TREATMENT**



**DETAIL FOR RECLAIMED STABILIZED BASE
TRANSITION AT BEGINNING OR END OF PROJECT**

DATUM
VERTICAL _____
HORIZONTAL _____

PROJECT DETAIL SHEET	SURVEYED BY	N/A	DATE	N/A
	DRAWN BY	WL	DATE	03/93
	SQUAD LEADER			
	DESIGN FILE NO.			
	IPARM FILE		DATE PLOTTED	
PROJ. NAME		SHEFFIELD-GLOVER		
PROJ. NO.		STP 9419(1)S		
SHEET 15 OF		SHEETS		
HTA FILE: SHFDETL5				