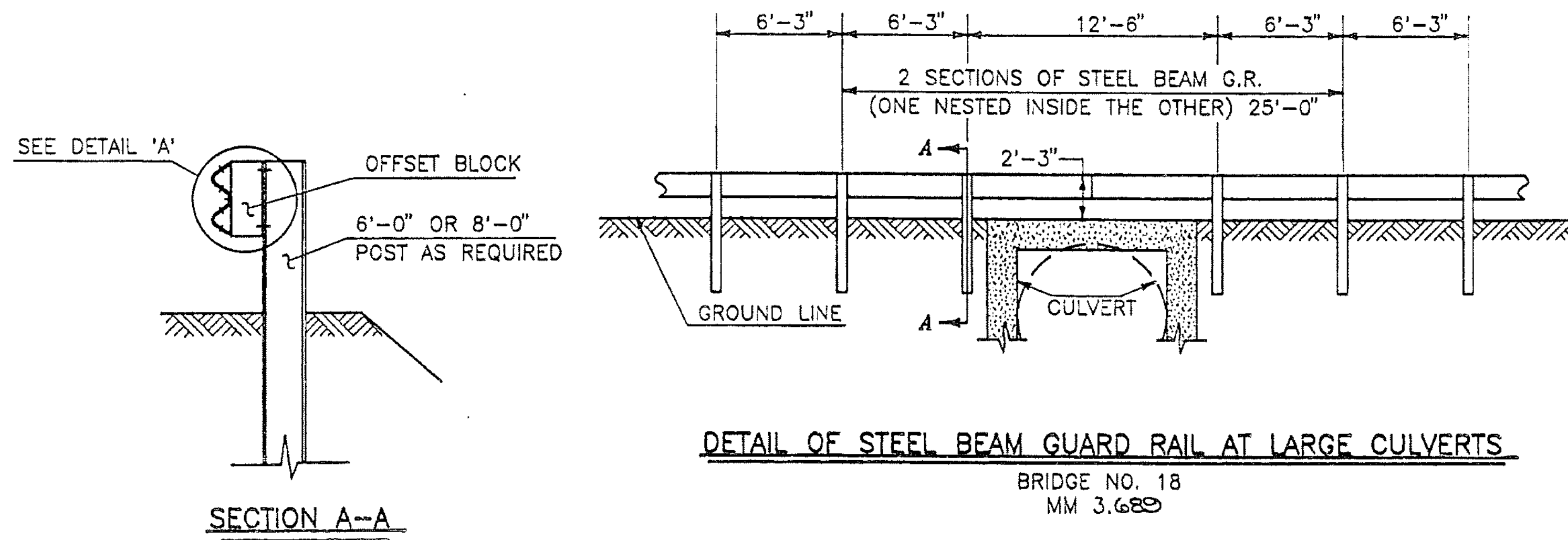


DETAIL A

NOTES:

1. SEE STANDARD G-1 & G-1D FOR STEEL BEAM GUARD RAIL DETAILS
2. THIS WORK SHALL BE PAID UNDER ITEM 621.21 HEAVY DUTY STEEL BEAM GUARD RAIL AT A PAY FACTOR OF 1.0.
3. THIS DETAIL TO BE USED AS INDICATED ON THE ITEM DETAIL AND DRAINAGE SHEET OR AS DIRECTED BY THE ENGINEER.



DETAIL OF STEEL BEAM GUARD RAIL AT LARGE CULVERTS

BRIDGE NO. 18
MM 3.688

SECTION A-A

DATUM	
VERTICAL	N/A
HORIZONTAL	N/A

<p>DETAIL OF STEEL BEAM GUARD RAIL AT LARGE CULVERTS</p>	SURVEYED BY	N/A	DATE	N/A
	DRAWN BY	DJ	DATE	03/93
	SQUAD LEADER			
	DESIGN FILE NO.			
	IPARM FILE		DATE PLOTTED	
	PROJ. NAME	SHEFFIELD-GLOVER		
PROJ. NO.	STP 9419(1)S			
SHEET	14	OF	SHEETS	
HTA FILE: SHFGDRTL				