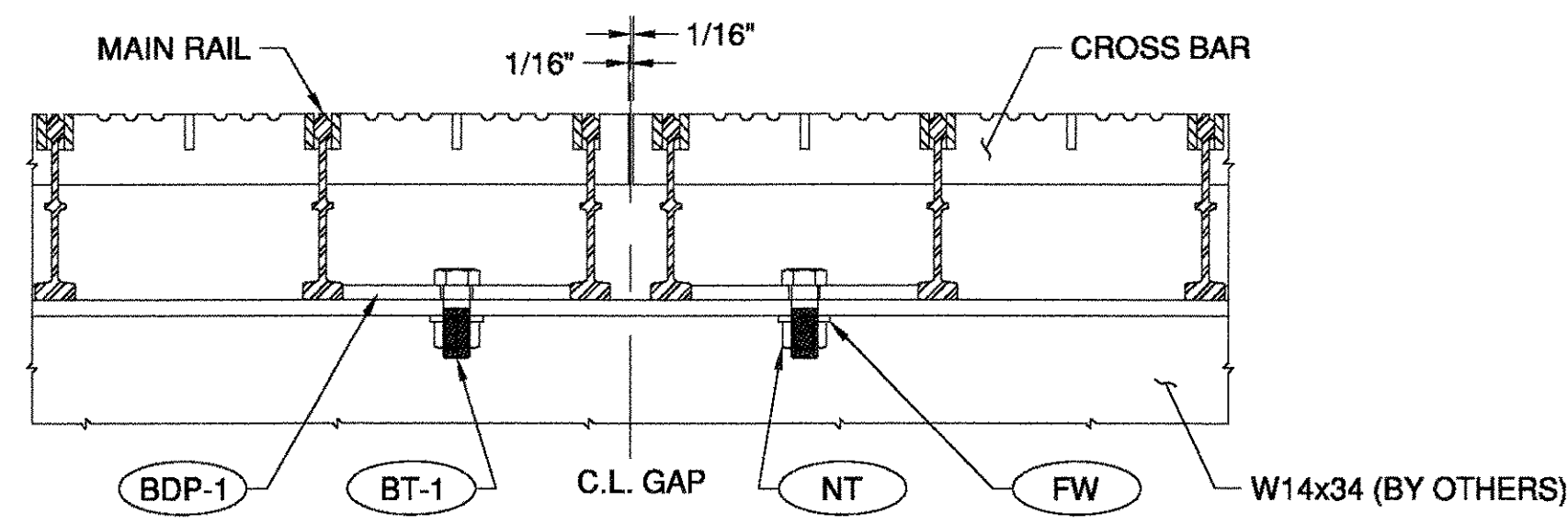
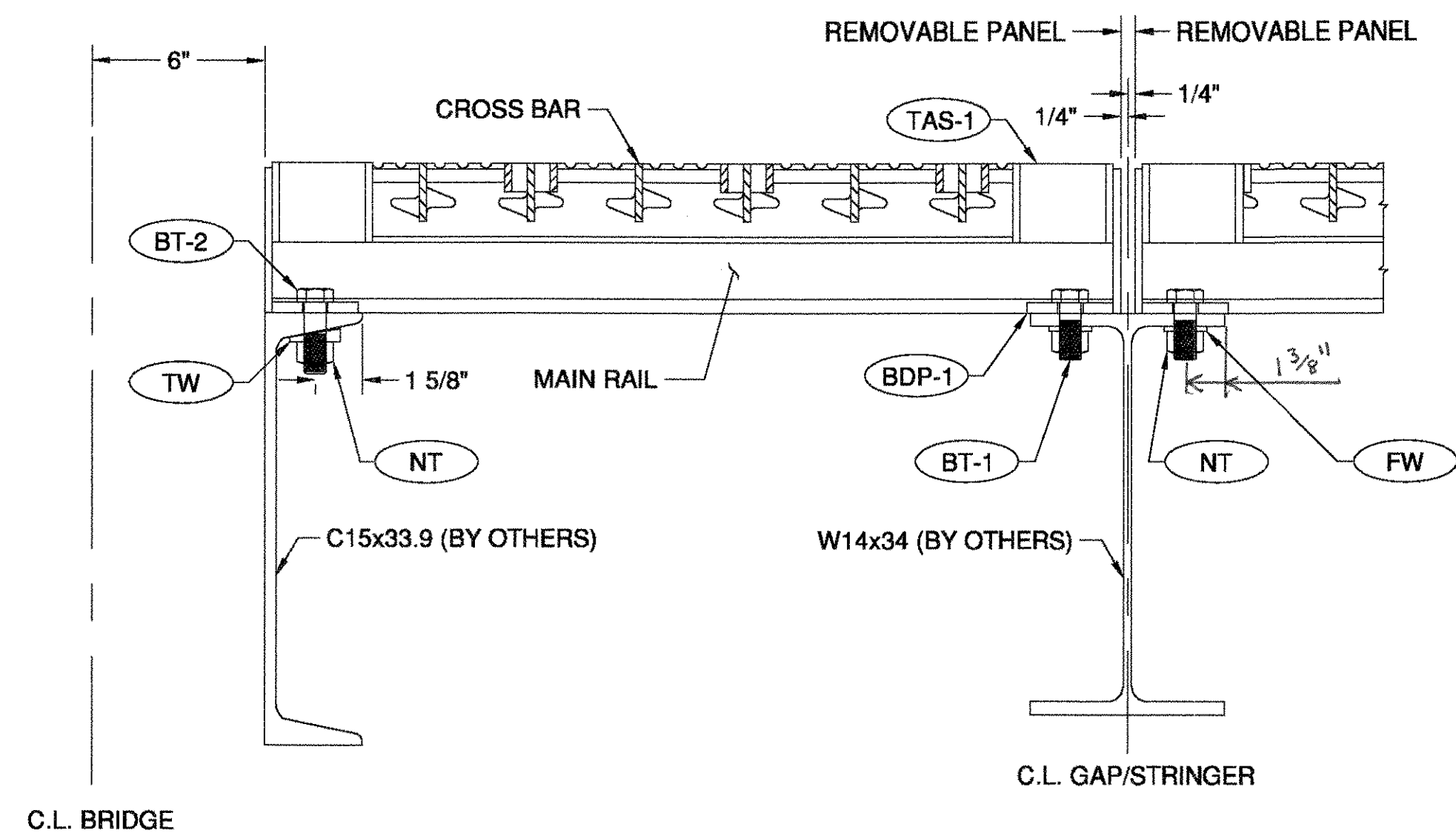


8 7 6 5 4 3 2 1

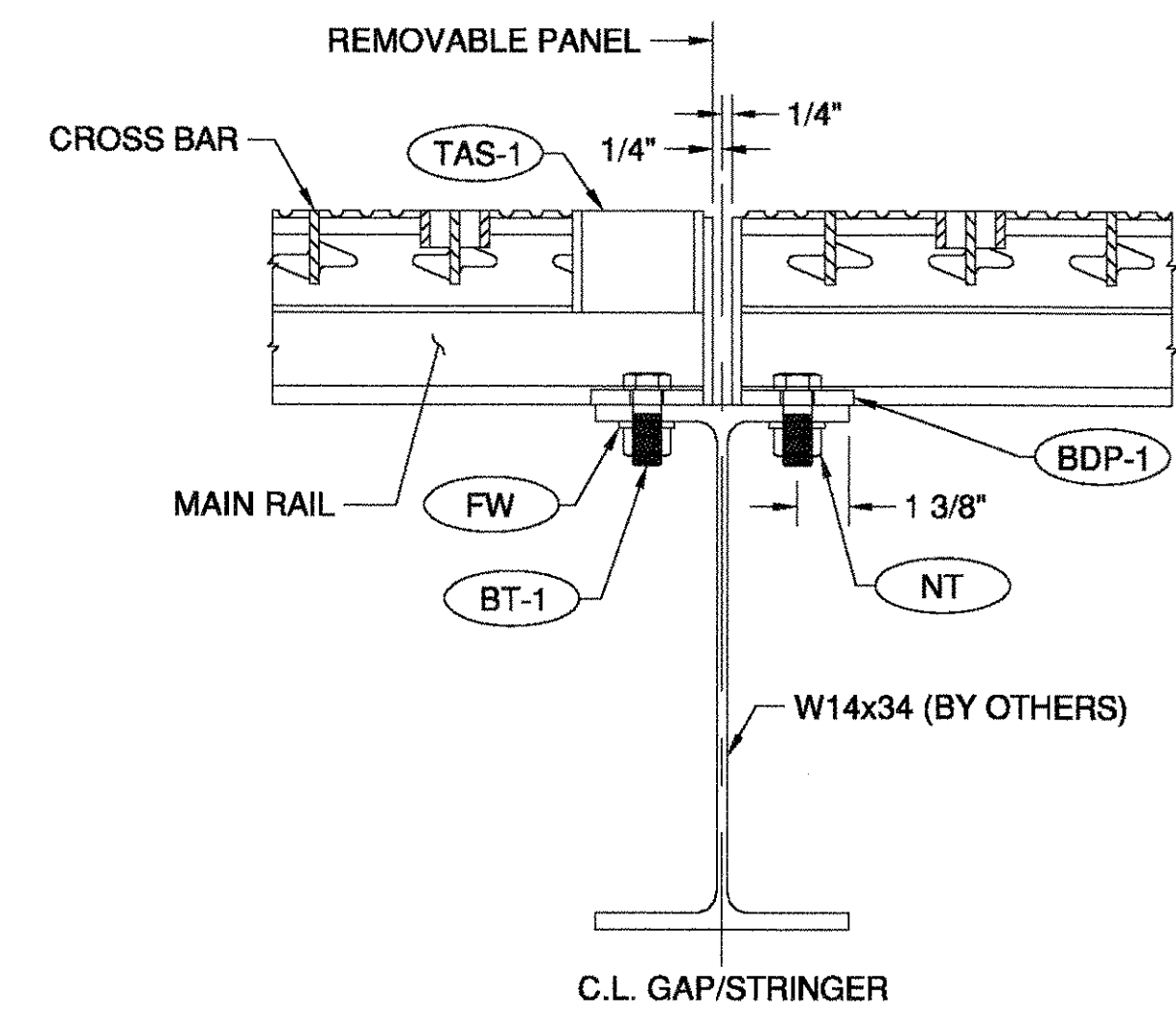
REVISIONS		
REV	DESCRIPTION	DATE
0	INITIAL SUBMITTAL FOR REVIEW	10/24/2007



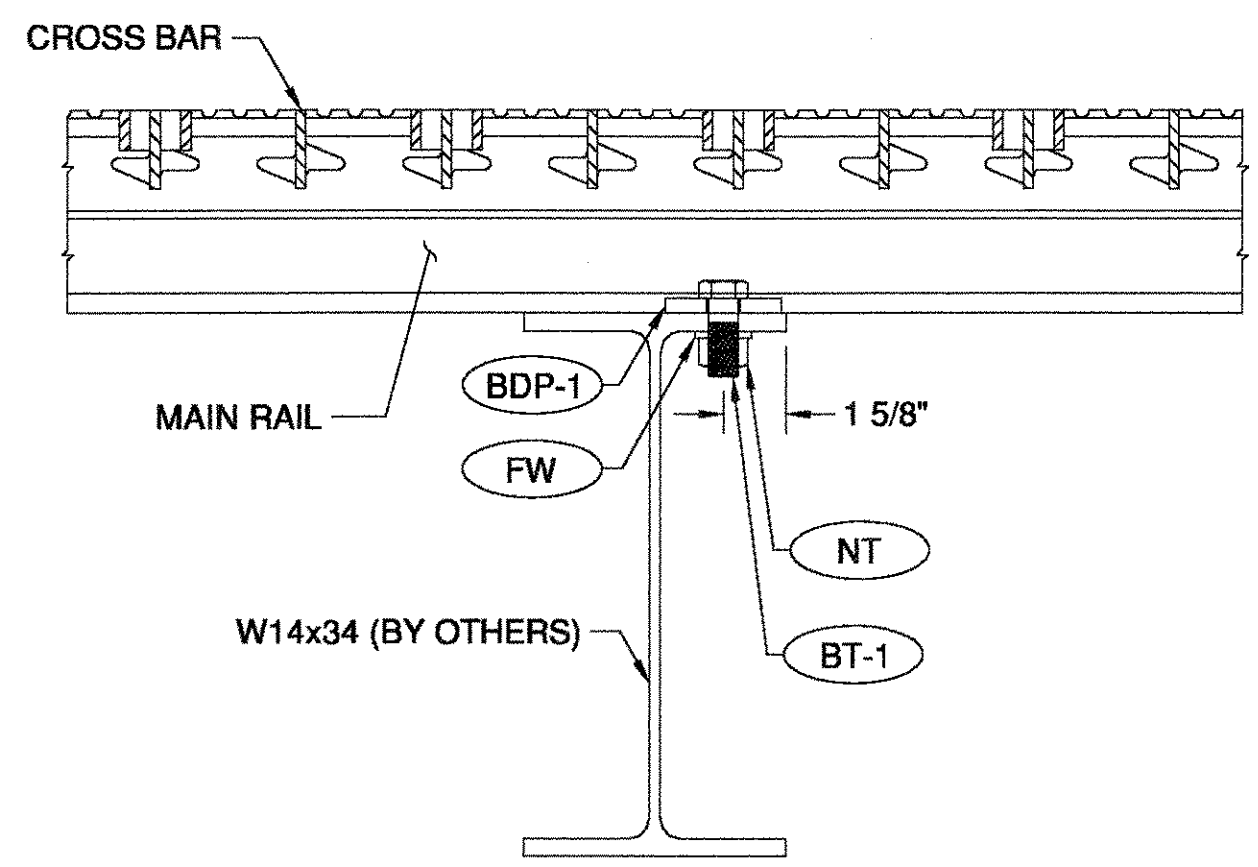
DETAIL 1/S13



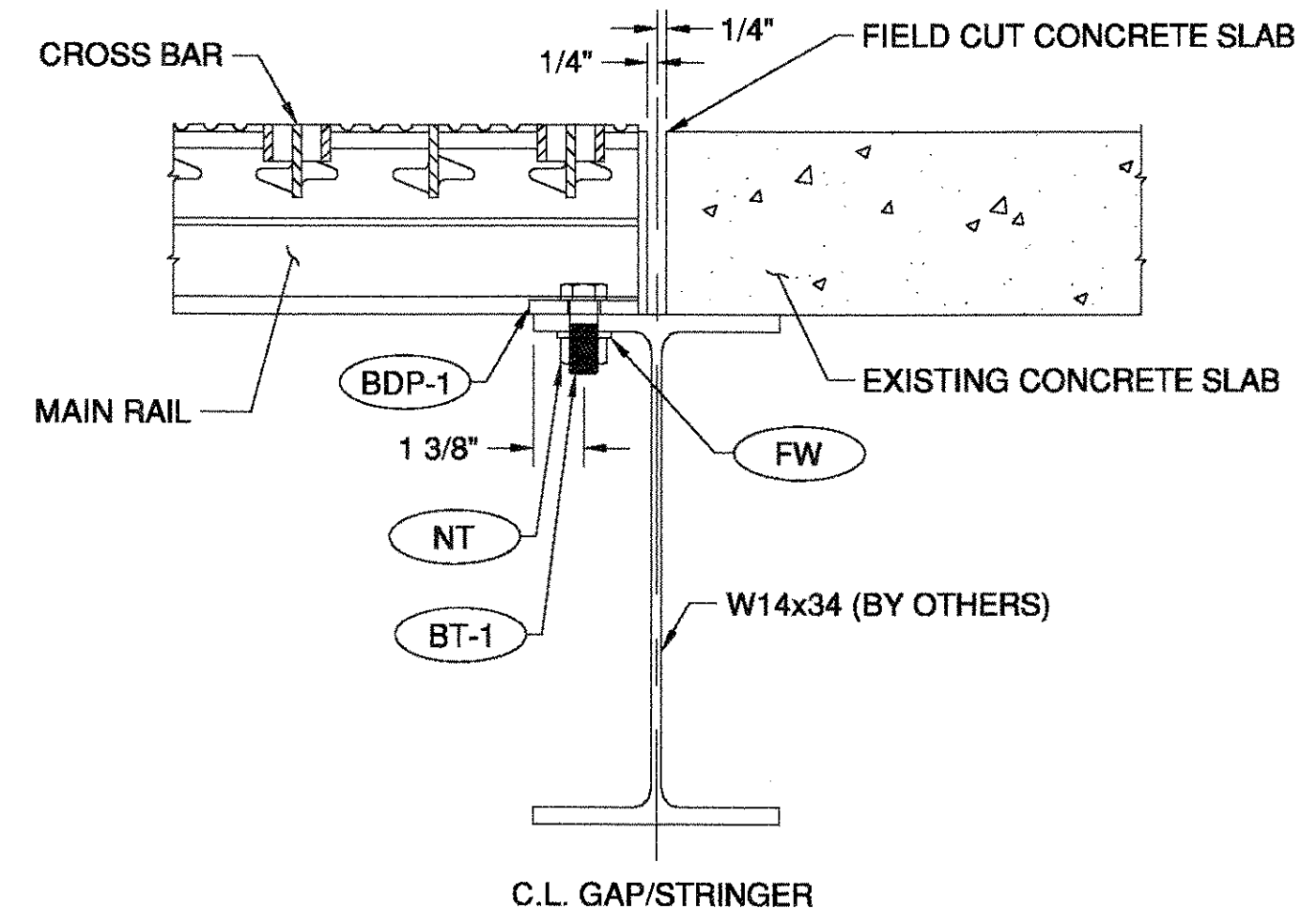
DETAIL 2/S13



DETAIL 3/S13




DETAIL 4/S13



DETAIL 5/S13

RECEIVED  
 CK'D BY S.S.S. OK'D BY [Signature]  
 OCT 29 2007  
 RESUBMIT APPROVED As Noted  
 BY DATE 11/6/07

 interlocking deck systems international 115 41st Street Pittsburgh, PA 15201	SECTIONS		
	GRAND ISLE DRAWBRIDGE VERMONT AGENCY OF TRANS.		
SIZE: B	DWG NO.: ID-0697-07	SHEET: 13	
SCALE: N.T.S.	P.O. NUMBER: R757	BY: WPO	APPROVED: JMO

071-PG 13

8 7 6 5 4 3 2 1