

8

7

6

5

4

3

2

1

BILL OF MATERIALS

PANEL F (QUANTITIES ARE PER PANEL - MULTIPLY BY TOTAL NUMBER OF PANELS)

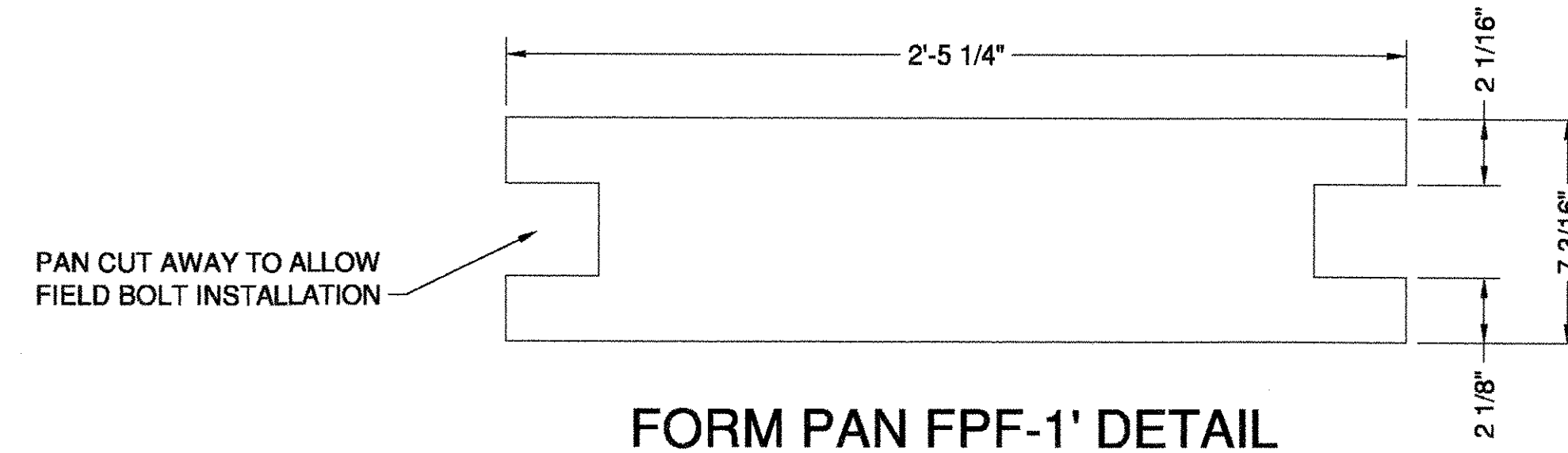
PART	DESCRIPTION	QUANTITY	LENGTH	WIDTH	THICKNESS	MATERIAL TYPE	TOLERANCE
P-F1	5 3/16" MAIN RAIL	3	2'-5 1/4"			ASTM A709 GR. 50	+/- 1/8"
P-F2	CROSS BAR	8	1'-8 3/4"	2"	1/4"	ASTM A709 GR. 50	+0/- 1/8"
P-F3	SUPPLEMENTAL BAR	2	2'-5 1/4"	1"	1/4"	ASTM A709 GR. 50	+/- 1/8"
P-F4	DIAGONAL BAR	6	2'-5 1/4"	1"	1/4"	ASTM A709 GR. 50	+/- 1/8"
TBF-1	TRIM BAR	2	1'-8 3/4"	5"	1/2"	ASTM A709 GR. 50	+0/- 1/8"
TBF-2	TRIM BAR	2	2'-5 3/4"	5"	1/2"	ASTM A709 GR. 50	+0/- 1/8"
FPF-1	FORM PAN	2	2'-5 1/4"	7 3/16"	20 GAUGE	ASTM A316	+0/- 1/8"
FPF-2	FORM PAN	2	2'-5 1/4"	2 7/16"	20 GAUGE	ASTM A316	+0/- 1/8"
BDP-1	BOLT DOWN PLATE	4	6 5/16"	3"	3/8"	ASTM A709 GR. 50	+0/- 1/16"
BT-1	BOLT	2	2"		3/4" Ø	ASTM A325 HDG	
BT-2	BOLT	2	2 1/2"		3/4" Ø	ASTM A325 HDG	
FW	WASHER	2			3/4" Ø	ASTM AF36 HDG	
TW	TAPERED WASHER	2			3/4" Ø	ASTM AF36 HDG	
NT	NUT	4			3/4" Ø	ASTM A563 HDG	
LP	LOOSE PAN	1	12"	12"	20 GAUGE	ASTM A653 G-90	+/- 1/8"

- SHIPPED LOOSE
- SHIPPED LOOSE
- SHIPPED LOOSE
- SHIPPED LOOSE
- SHIPPED LOOSE
- SHIPPED LOOSE
- SHIPPED LOOSE

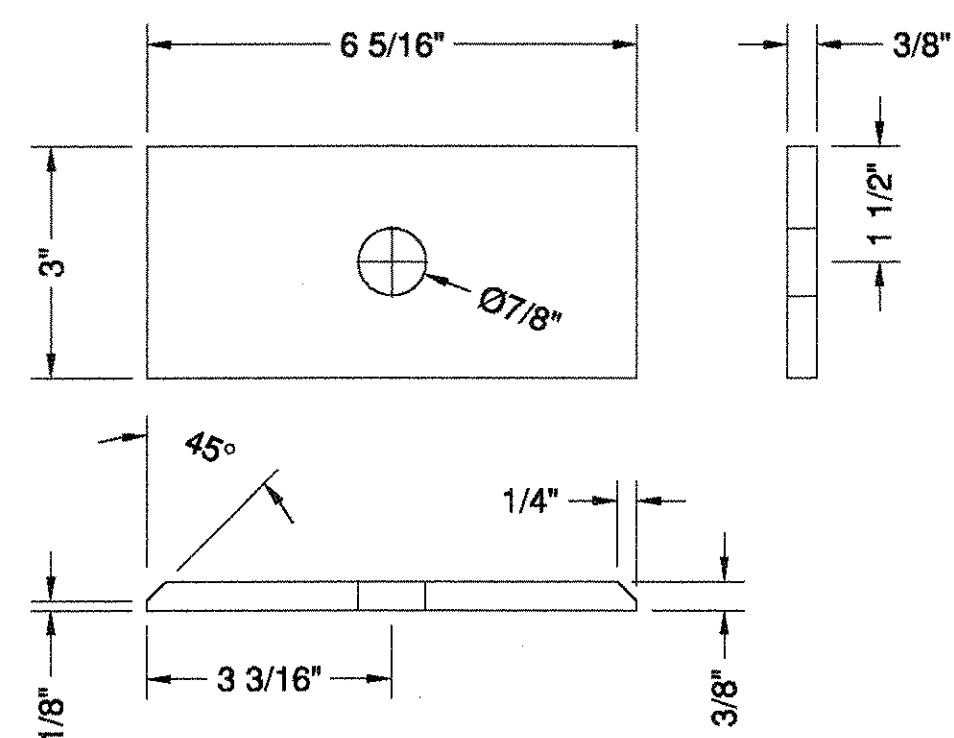
NOTE: PANEL TO BE FABRICATED USING CUT MATERIAL FROM PANEL C1.

NOTE: CREATE PANEL FROM C PANELS' SCRAP.

REVISIONS		
REV	DESCRIPTION	DATE
0	INITIAL SUBMITTAL FOR REVIEW	10/24/2007

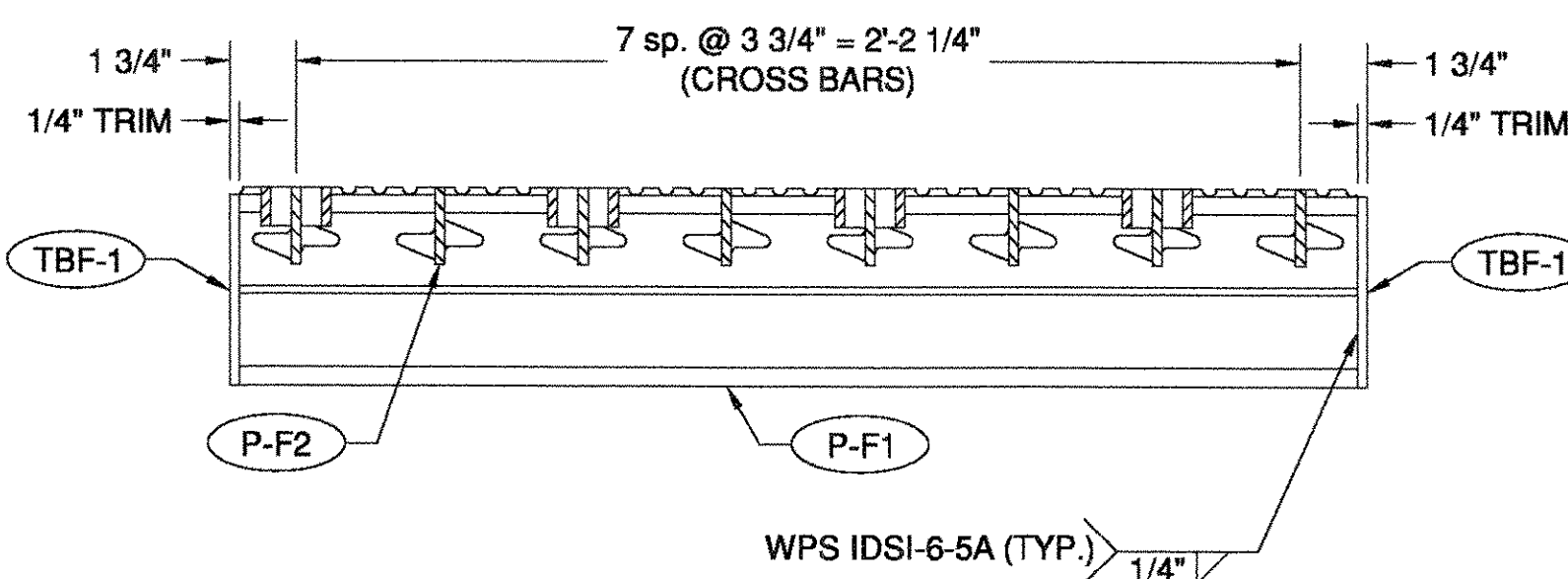
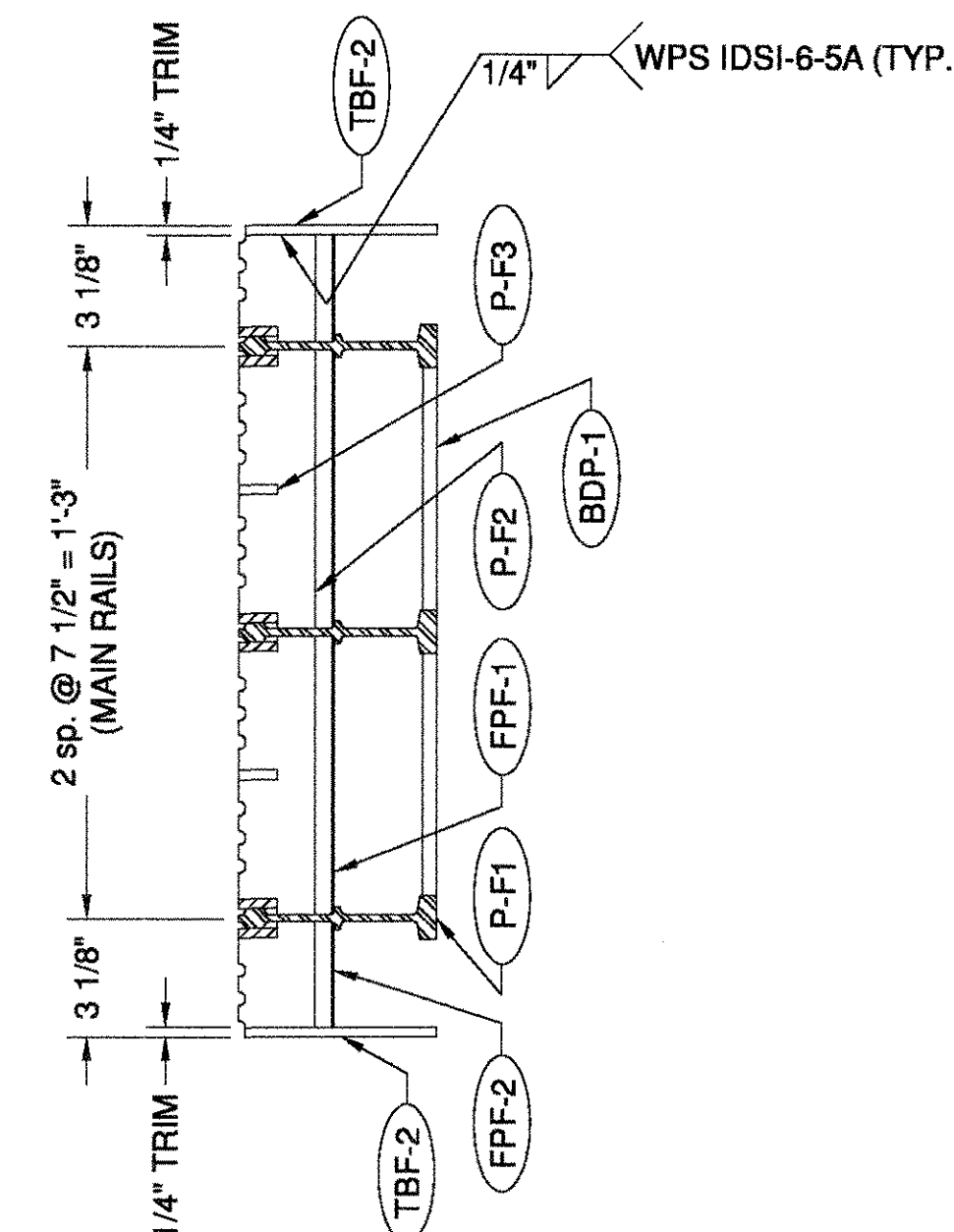
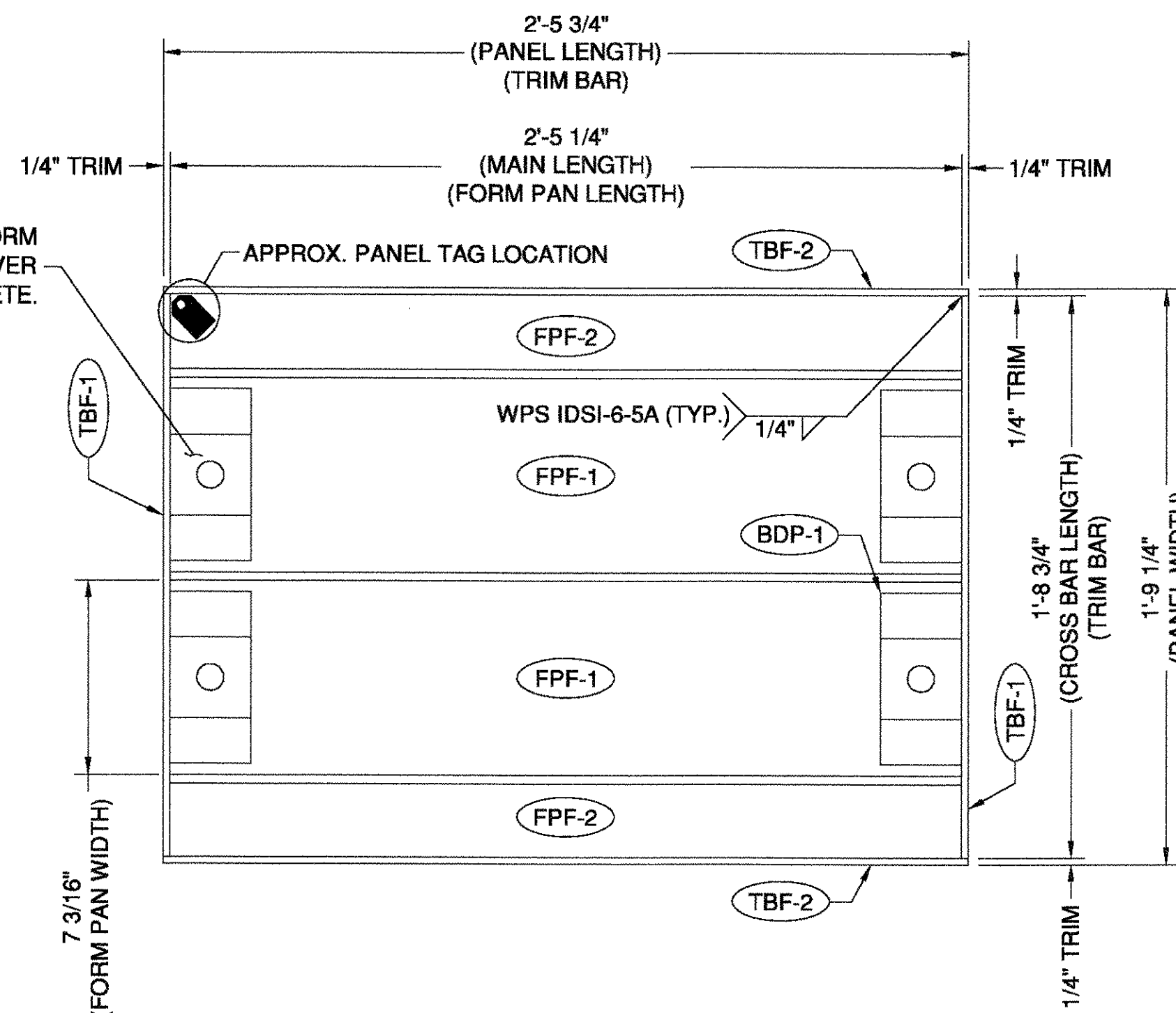


FORM PAN FPF-1' DETAIL



BDP-1 DETAIL

CONTRACTOR TO CUT LOOSE FORM PAN 'LP' AS REQ'D TO FILL AREA OVER BOLT PRIOR TO PLACING CONCRETE.



PANEL F LAYOUT
1 TOTAL - AS SHOWN

RECEIVED
 OK'D BY: SSS OK'D BY: [Signature]
 OCT 29 2007
 RESUBMIT: _____ APPROVED: [Signature]
 BY: _____ DATE: 11/6/07

 interlocking deck systems international 115 41st Street Pittsburgh, PA 15201	PANEL F LAYOUT GRAND ISLE DRAWBRIDGE VERMONT AGENCY OF TRANS.		
	SIZE B	DWG NO. ID-0697-07	SHEET 10
	SCALE: N.T.S.	P.O. NUMBER: R757	BY: WPO APPROVED: JMO

058-DG-1
072

8

7

6

5

4

3

2

1