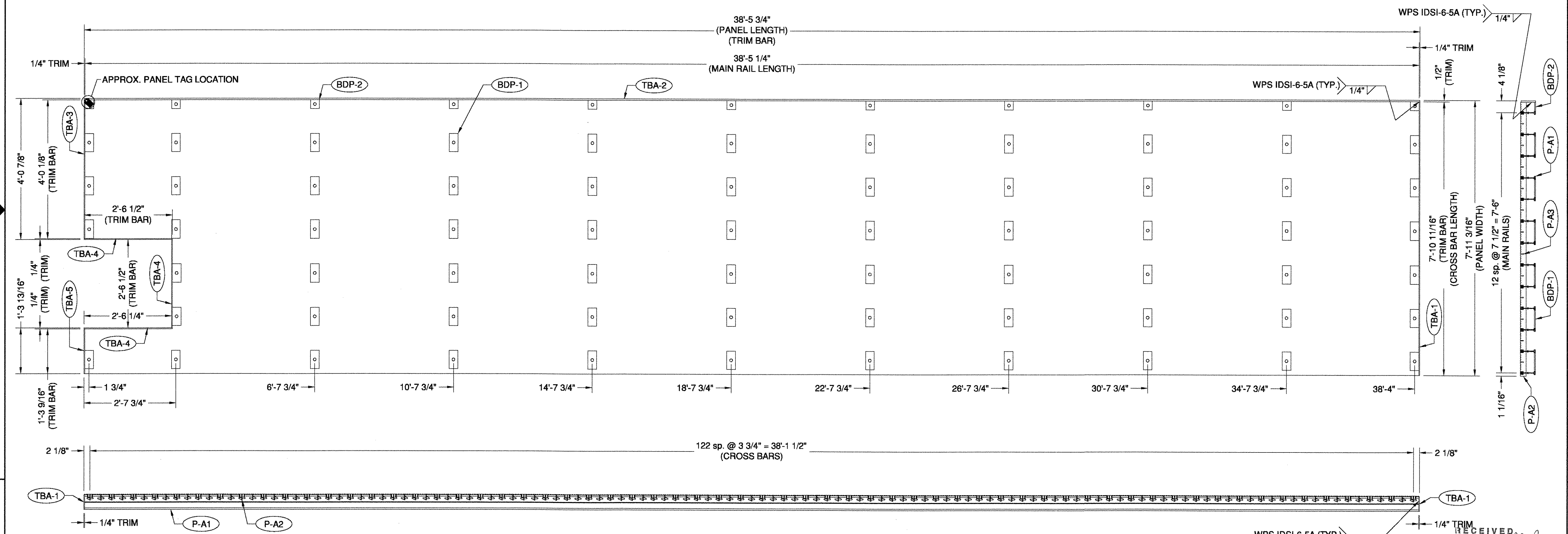
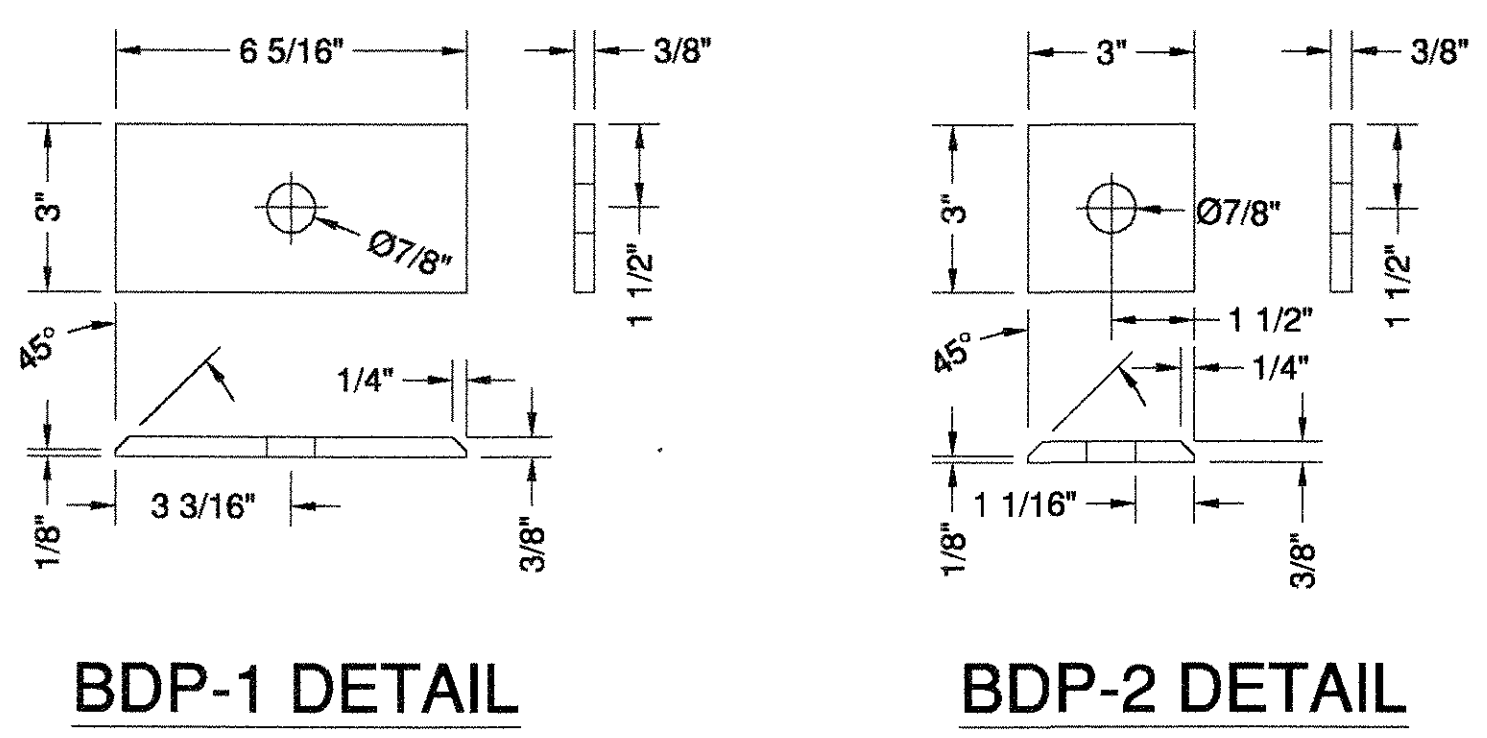


BILL OF MATERIALS							
PANEL A (QUANTITIES ARE PER PANEL - MULTIPLY BY TOTAL NUMBER OF PANELS)							
PART	DESCRIPTION	QUANTITY	LENGTH	WIDTH	THICKNESS	MATERIAL TYPE	TOLERANCE
P-A1	5 3/16" MAIN RAIL	13	38'-5 1/4"	-----	-----	ASTM A709 GR. 50	+/- 1/4"
P-A2	CROSS BAR	123	7'-10 11/16"	2"	1/4"	ASTM A709 GR. 50	+0/- 1/8"
P-A3	SUPPLEMENTAL BAR	12	38'-5 1/4"	1"	1/4"	ASTM A709 GR. 50	+/- 1/4"
P-A4	DIAGONAL BAR	24	38'-5 1/4"	1"	1/4"	ASTM A709 GR. 50	+0/- 1/4"
TBA-1	TRIM BAR	1	7'-10 11/16"	5"	1/4"	ASTM A709 GR. 50	+0/- 1/8"
TBA-2	TRIM BAR	1	38'-5 3/4"	5"	1/2"	ASTM A709 GR. 50	+0/- 1/8"
TBA-3	TRIM BAR	1	4'-0 1/8"	5"	1/4"	ASTM A709 GR. 50	+0/- 1/8"
TBA-4	TRIM BAR	3	2'-6 1/2"	5"	1/4"	ASTM A709 GR. 50	+0/- 1/8"
TBA-5	TRIM BAR	1	1'-3 9/16"	5"	1/4"	ASTM A709 GR. 50	+0/- 1/8"
BDP-1	BOLTDOWN PLATE	64	6 5/16"	3"	3/8"	ASTM A709 GR. 50	+/- 1/32"
BDP-2	BOLTDOWN PLATE	11	3"	3"	3/8"	ASTM A709 GR. 50	+/- 1/32"
BT-1	BOLT	70	2"	-----	3/4" Ø	ASTM A325 HDG	-----
BT-2	BOLT	5	2 1/2"	-----	3/4" Ø	ASTM A325 HDG	-----
FW	WASHER	70	-----	-----	3/4" Ø	ASTM F436 HDG	-----
TW	TAPERED WASHER	5	-----	-----	3/4" Ø	ASTM A563 HDG	-----
NT	NUT	75	-----	-----	3/4" Ø	ASTM A563 HDG	-----

- SHIPPED LOOSE
- SHIPPED LOOSE
- SHIPPED LOOSE
- SHIPPED LOOSE
- SHIPPED LOOSE

REVISIONS		
REV	DESCRIPTION	DATE
0	INITIAL SUBMITTAL FOR REVIEW	10/24/2007



**SHOP NOTE:**  
 SHOP TO REUSE CUT MATERIAL TO FABRICATE PANEL TYPE D.

RECEIVED  
 CHK'D BY SSS OK'D BY WPM  
 OCT 29 2007  
 RESUBMIT APPROVED  
 BY DATE 11/6/07

 interlocking deck systems international 115 41st Street Pittsburgh, PA 15201	<b>PANEL A LAYOUT</b> GRAND ISLE DRAWBRIDGE VERMONT AGENCY OF TRANS.	
	DWG NO. ID-0697-07 SCALE N.T.S. P.O. NUMBER R757	SIZE B BY WPO APPROVED JMO

063-06 1