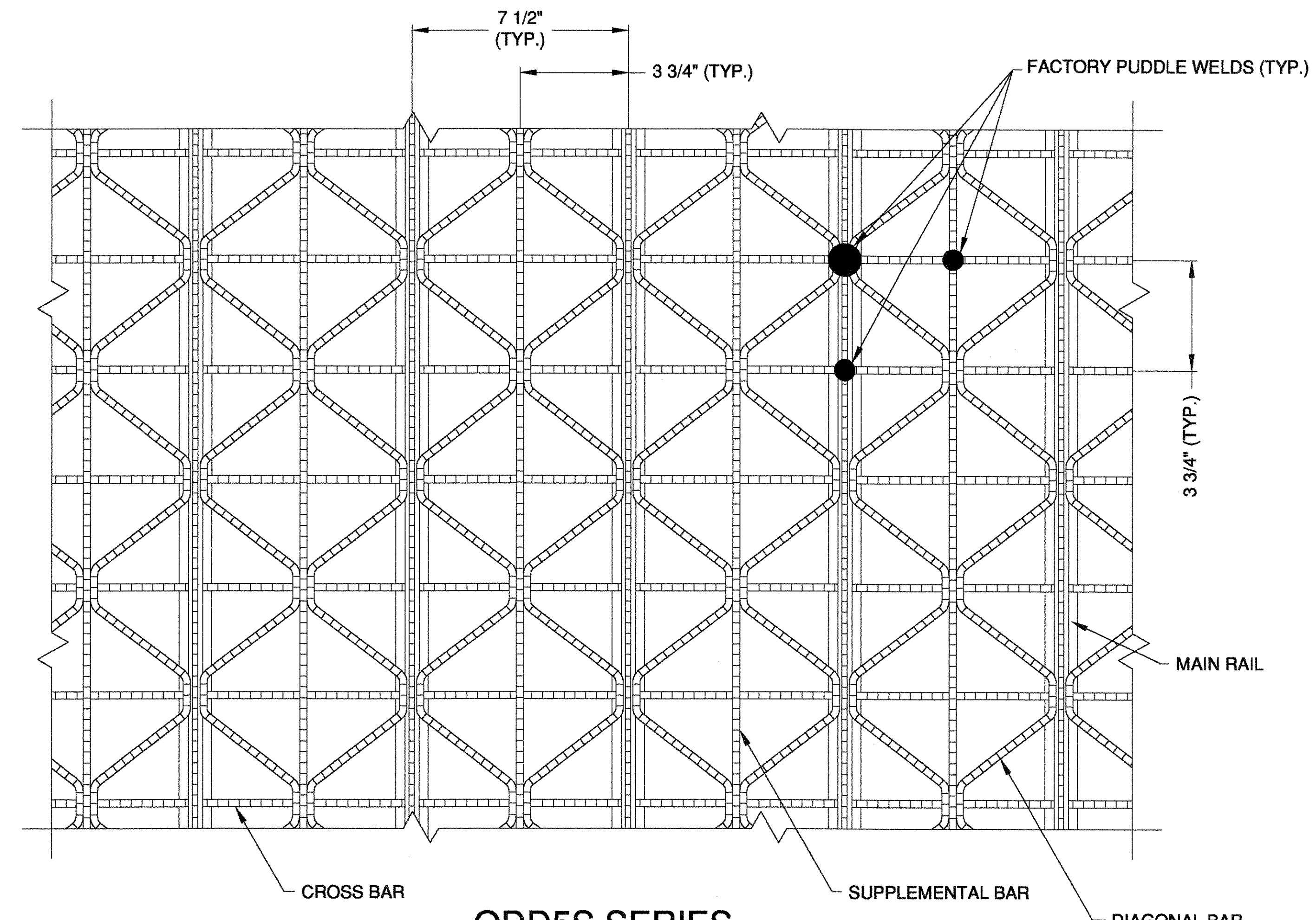
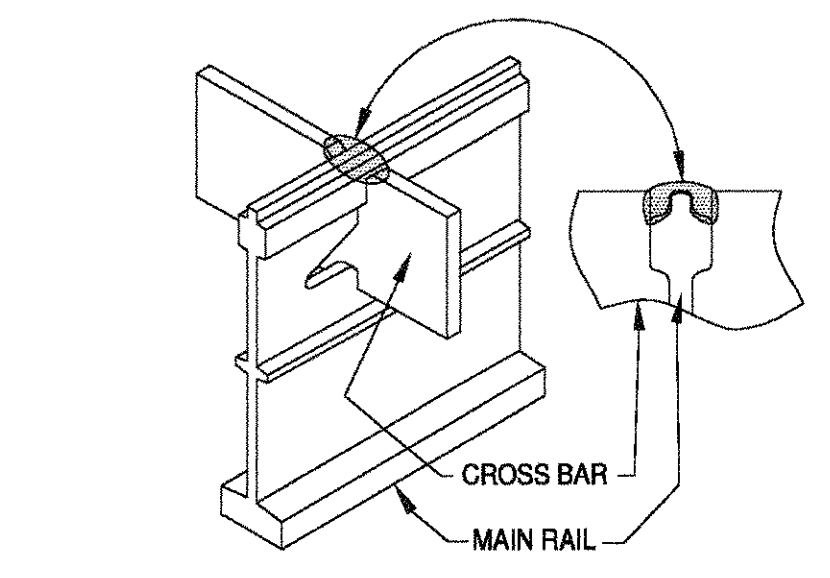


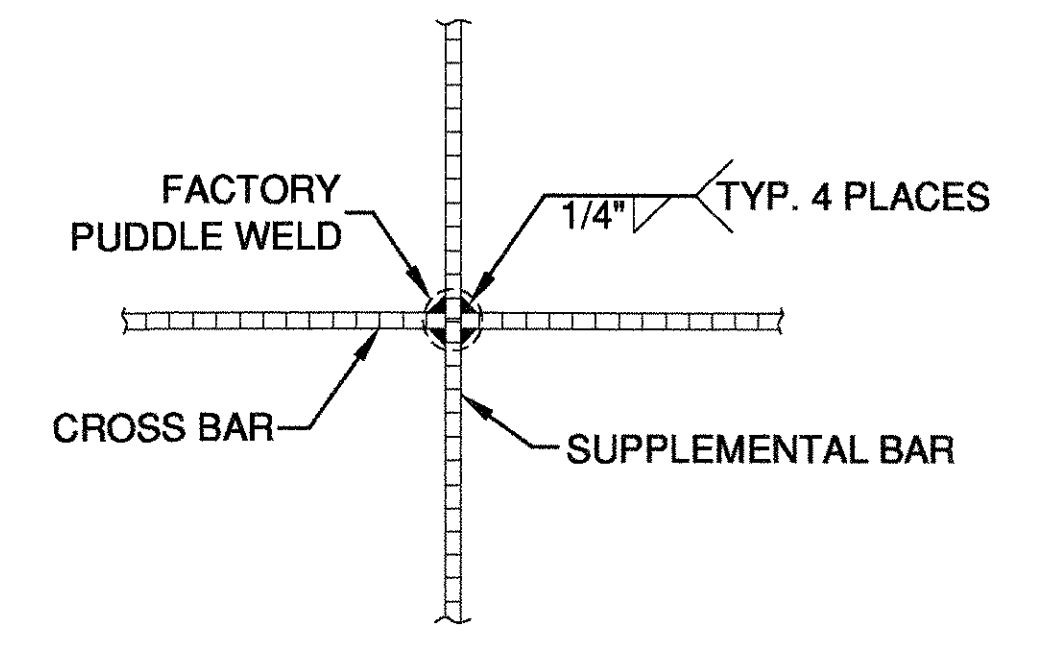
| REVISIONS | | |
|-----------|------------------------------|------------|
| REV | DESCRIPTION | DATE |
| 0 | INITIAL SUBMITTAL FOR REVIEW | 10/24/2007 |
| | | |
| | | |
| | | |



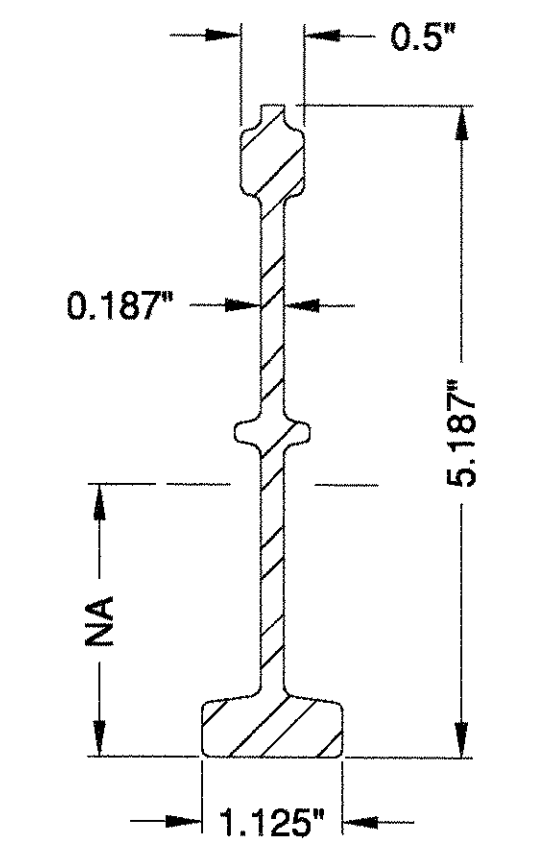
**ODD5S SERIES
PLAN VIEW**
N.T.S.
(5/8"Ø BOTTOM CROSS BAR NOT SHOWN)



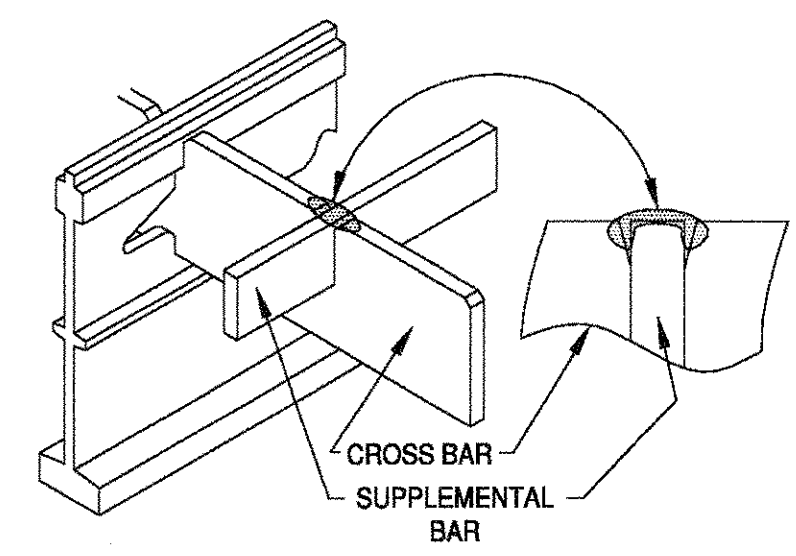
**WPS IDSI-6-1A
TYPICAL MAIN RAIL
PUDDLE WELD**
N.T.S.
(SERRATIONS NOT SHOWN FOR CLARITY)



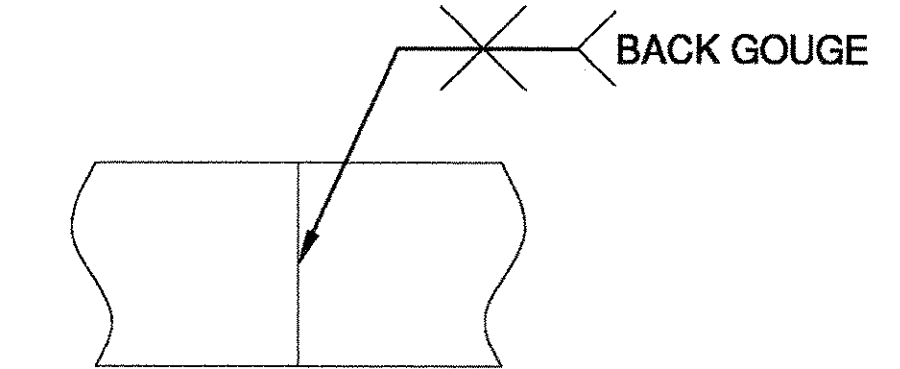
**WPS IDSI-6-3A
TYPICAL SUPPLEMENTAL
BAR SPLICE**
N.T.S.
(WHERE REQ'D.)



5 3/16\"/>



**WPS IDSI-6-2A
TYPICAL CROSS BAR
PUDDLE WELD**
N.T.S.
(SERRATIONS NOT SHOWN FOR CLARITY)

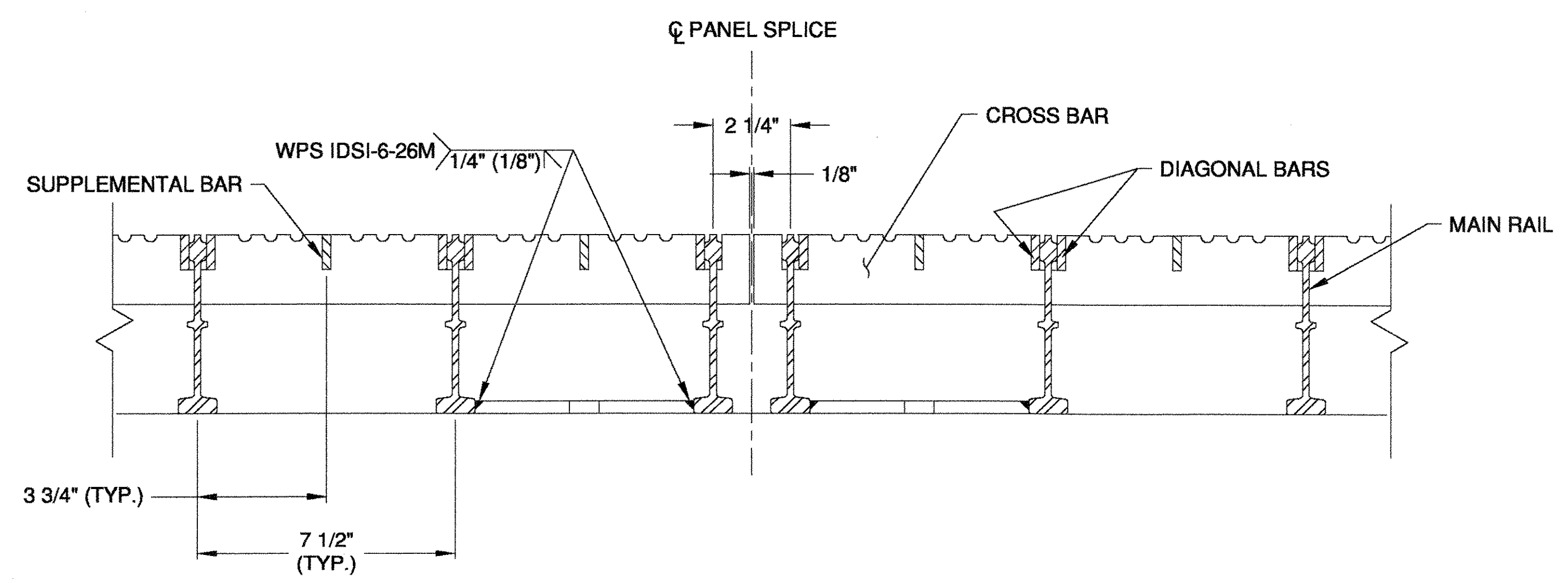


**WPS IDSI-6-14A
TYPICAL TRIM BAR SPLICE**
N.T.S.
(WHERE REQ'D.)

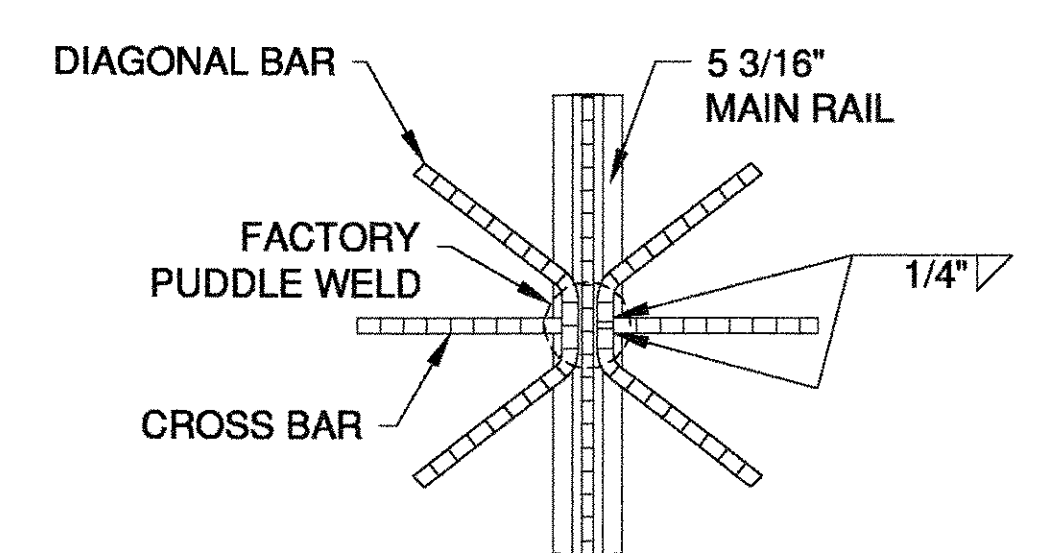
RECEIVED
OK'D BY SSS OK'D BY [Signature]
OCT 29 2007
RESUBMIT APPROVED
BY DATE 11/6/07

| SECTION PROPERTIES | |
|---|---|
| BEAM ONLY (GROSS) | |
| WEIGHT = 5.60 LB/FT | |
| AREA = 1.646 IN ² | |
| NA = 2.179 IN | * |
| I _x = 5.108 IN ⁴ | |
| S _{bottom} = 2.344 IN ³ | |
| Stop = 1.698 IN ³ | |

* DOES NOT INCLUDE DEDUCTIONS FOR PUNCHOUTS OR SERRATIONS



**SECTION 1/5
TYPICAL PANEL SPLICE DETAIL**
N.T.S.



**WPS IDSI-6-4A
TYPICAL DIAGONAL
BAR SPLICE**
N.T.S.
(WHERE REQ'D.)

idsi
interlocking deck
systems international
115 41st Street
Pittsburgh, PA 15201

| STANDARDS | | | |
|---|-----------------------|------------|-----------------|
| GRAND ISLE DRAWBRIDGE VERMONT AGENCY OF TRANS. | | | |
| SIZE B | DWG NO. ID-0697-07 | SHEET 4 | |
| SCALE N.T.S. | P.O. NUMBER R757 | BY WPO | APPROVED JMO |

062-DG 1