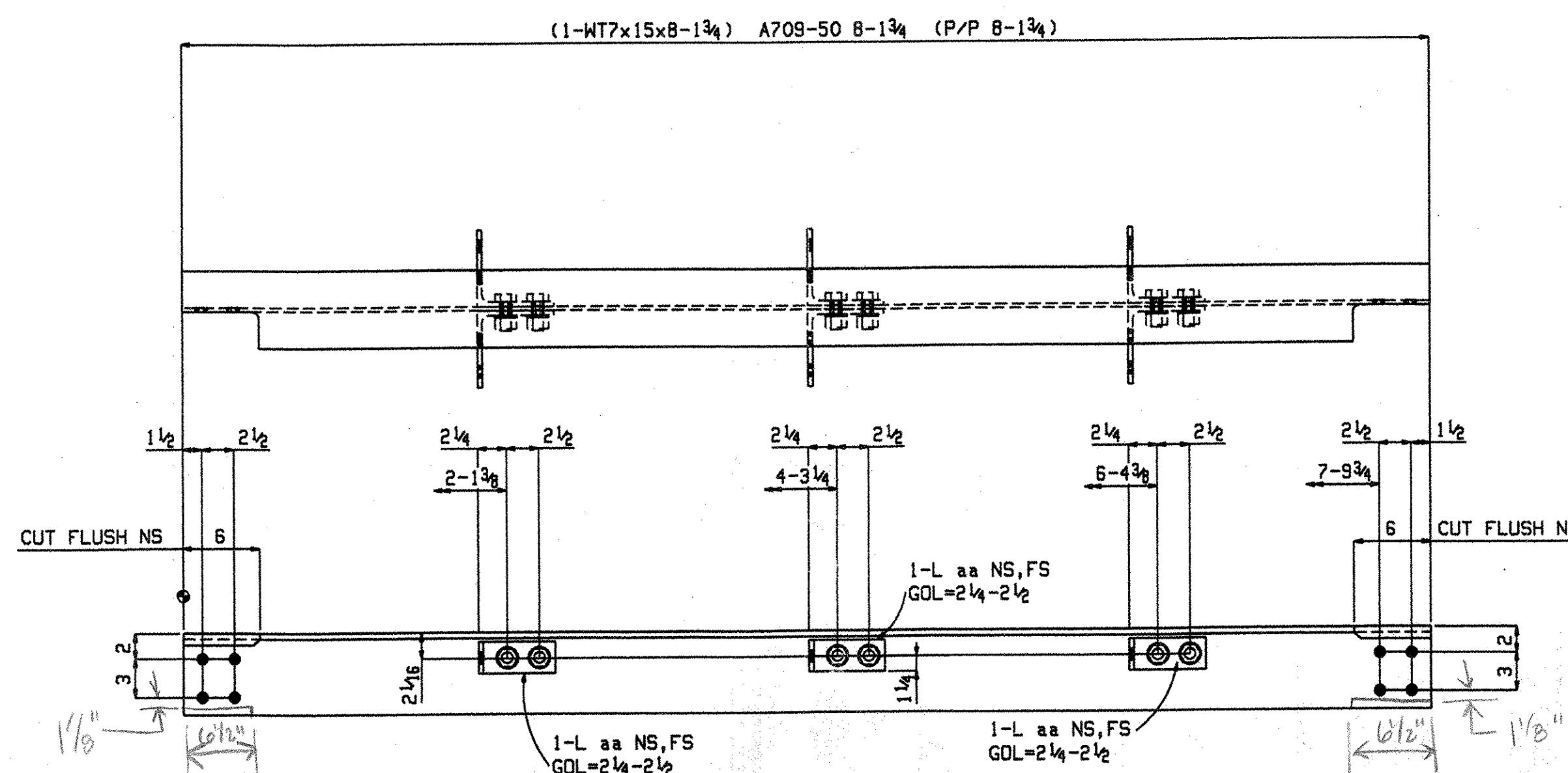


ONE BEAM FB7

W 6 15/16 x 1/4
F 6 3/4 x 3/8

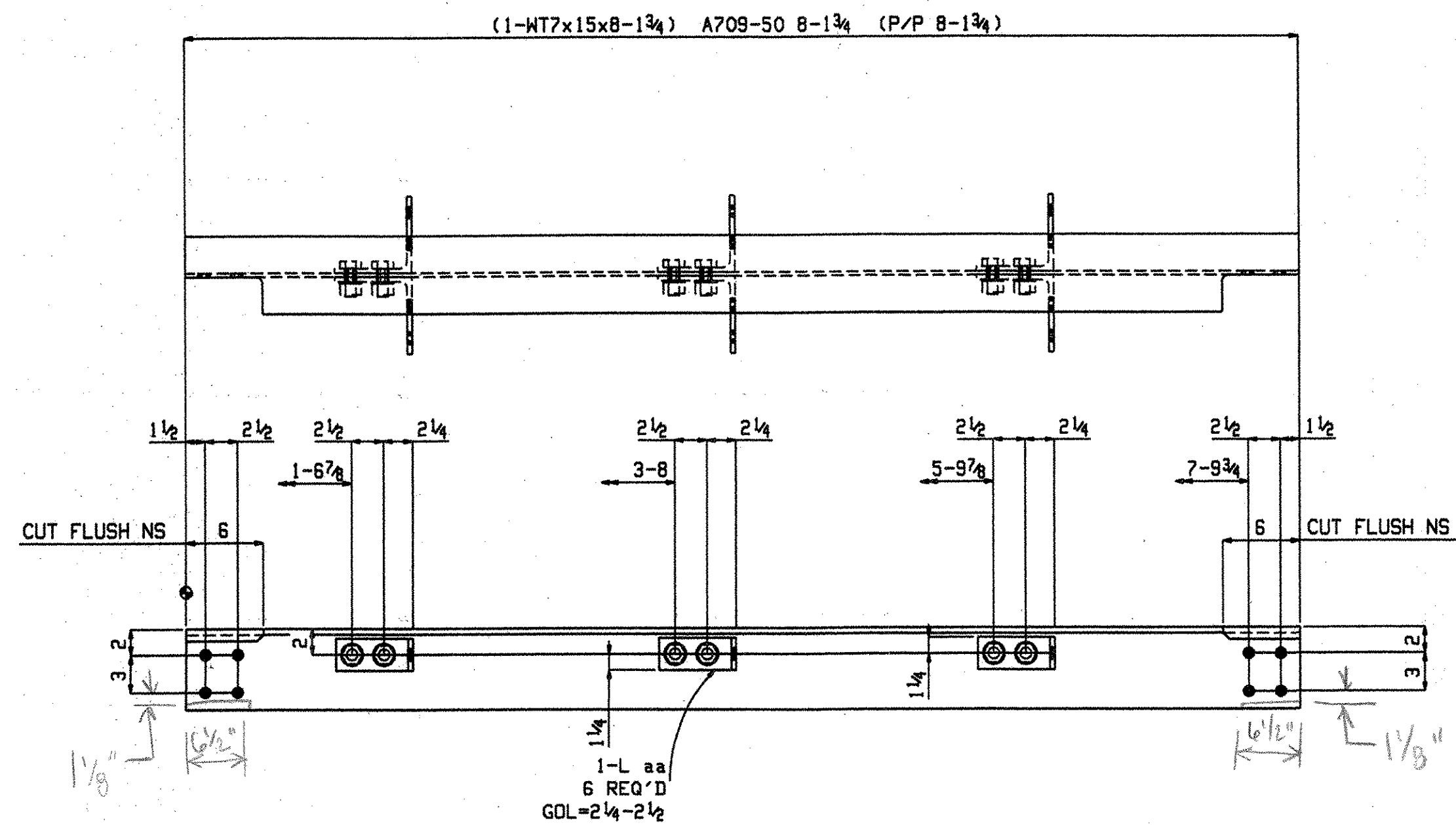
SHOP BOLTS:
6-7/8 x 2 A325



ONE BEAM FB50_L

W 6 15/16 x 1/4
F 6 3/4 x 3/8

SHOP BOLTS:
6-7/8 x 2 1/4 A325



ONE BEAM FB50_R

W 6 15/16 x 1/4
F 6 3/4 x 3/8

SHOP BOLTS:
6-7/8 x 2 1/4 A325

BILL OF MATERIAL

Quantity	Description	Length	Piece	Remarks
Total			Mark	
ONE BEAM			FB7	
1	WT7x15	8 13/4	FB7	A709-50
3	L6x6x3/8	0 2 1/2	aa	A709-50
6	7/8 Dia A325	0 2		1 HD WASH
	FIELD BOLTS			
8	7/8 Dia A325	0 2		1 HD WASH
ONE BEAM			FB50_L	
1	WT7x15	8 13/4	FB50_L	A709-50
6	L6x6x3/8	0 2 1/2	aa	A709-50
6	7/8 Dia A325	0 2 1/4		1 HD WASH
	FIELD BOLTS			
8	7/8 Dia A325	0 2		1 HD WASH
ONE BEAM			FB50_R	
1	WT7x15	8 13/4	FB50_R	A709-50
6	L6x6x3/8	0 2 1/2	aa	A709-50
6	7/8 Dia A325	0 2 1/4		1 HD WASH
	FIELD BOLTS			
8	7/8 Dia A325	0 2		1 HD WASH

OUT FOR APPROVAL	10/15																			
OUT FOR APPROVAL																				
ISSUED TO SHOP	10/23																			
FIELD & OFFICE																				
REV.	REMARKS	DATE	DWN	CHK	APP	O.A.	NO.	DIA.	LGT	TYPE	WASHER									
PROJECT NO. BHF 028-1(2)		STATE PROJECT NO. F128(9)																		
MATERIAL : AS NOTED		ELECTRODES : E70LH				HOLES : 15/16 φ UNO				SHOP BOLTS : 7/8 φ										
SURFACE PREPN & PAINT :		GALVANIZED																		
DESCRIPTION : STRUCTURAL DETAILS												DRAWN BY		DATE						
JOB : GRAND ISLE-NORTH HERO BRIDGE COUNTY OF GRANDE ISLE, VT.												L.C.L.		OCTOBER 2007						
												CHECKED BY		DATE						
												L.B.		OCTOBER 2007						
												APPROVED BY		DATE						
												O.A.		DATE						
CUSTOMER : STATE OF VERMONT HIGHWAY DEPARTMENT												JOB NO.		DRG. NO.						
CASCO BAY STEEL STRUCTURES, INC.												342		8						
75 SPRING HILL ROAD SACO, MAINE 04072												Job:		REV.						
PHONE (207) 282-7360 FAX. (207) 282-1179												Nov 01 2007 10:59:36 AM								

RECEIVED
NOV 05 2007
DRAWINGS PREPARED BY PATRIOT DRAFTING LLC.

JOB NO.	DRG NO.
342	8