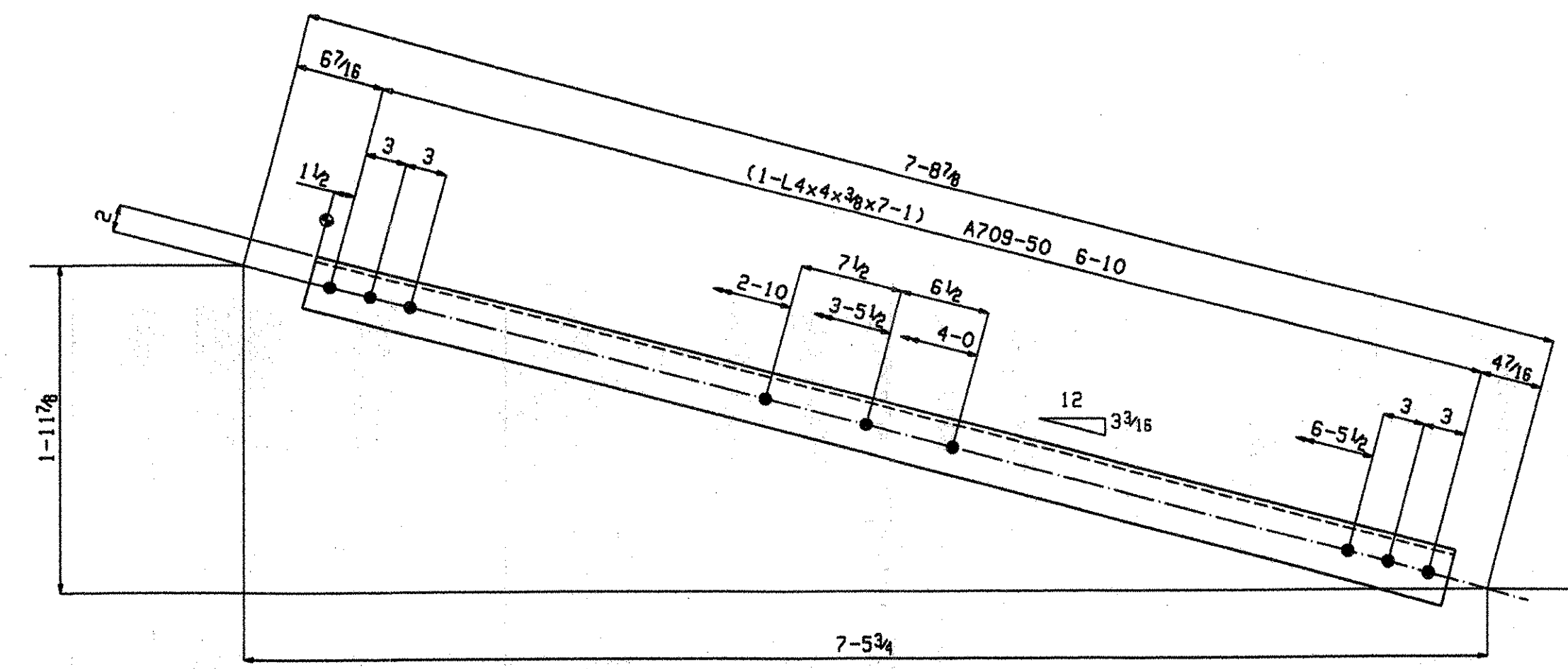


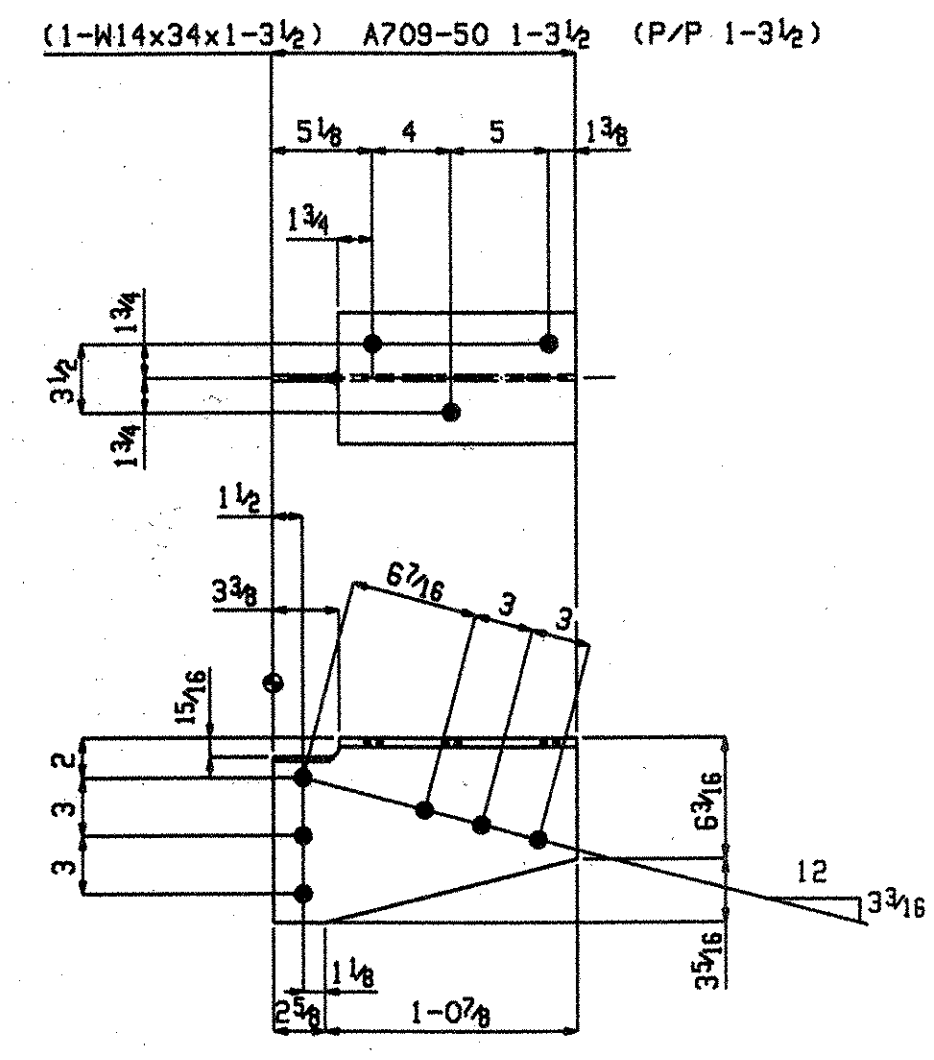
**6 BEAMS FB42**

W14x34  
F63/4x7/16



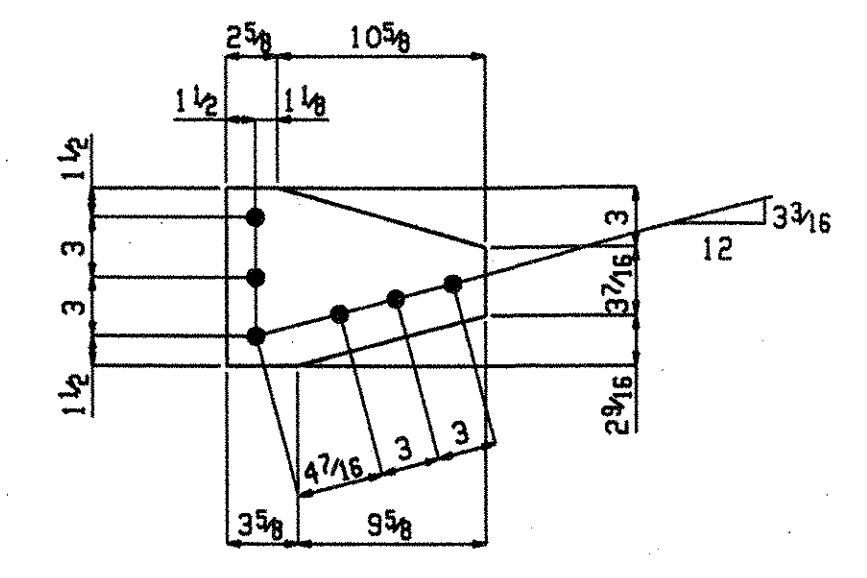
**12 VERTICAL BRACES CF4**

SHOP NOTE:  
TOE DIRECTION FAR SIDE

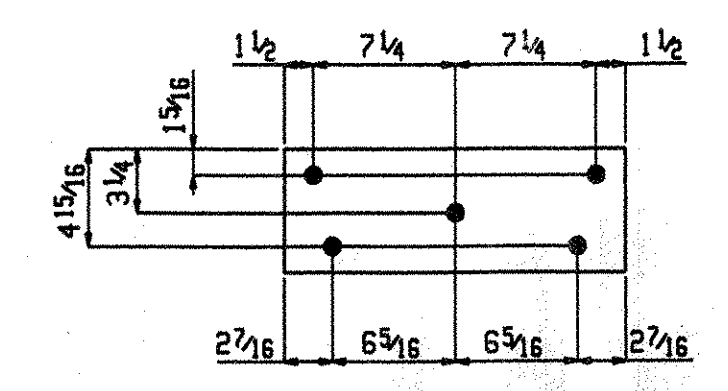


**12 BEAMS CF4\_ma**

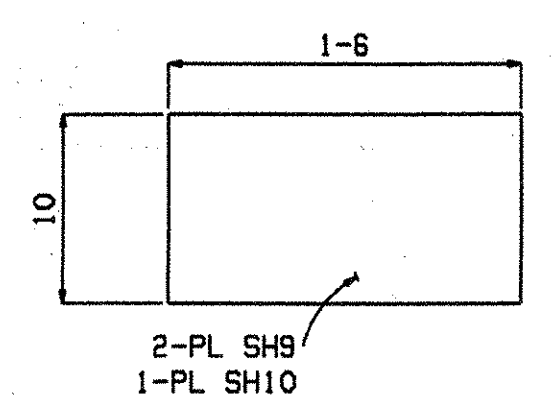
W14x34  
F63/4x7/16



**12 PLATES CF4\_pb**



**6 PLATES CF4\_pc**



**8 SHIM PLATE SETS A38**

2-PL SH9  
1-PL SH10

BILL OF MATERIAL				
Quantity	Description	Length	Piece	Remarks
6	BEAM		FB42	
6	W14x34	8 1 1/2	FB42	A709-50
	FIELD BOLTS			
36	7/8 Dia A325	0 2 1/2		1 HD WASH
36	7/8 Dia A325	0 2 1/4		1HD WASH
24	7/8 Dia A325	0 2		1 HD WASH
12	VERTICAL BRACE		CF4	
12	L4x4x3/8	7 1	CF4	A709-50
	FIELD BOLTS			
12	7/8 Dia A325	0 2 1/4		1HD WASH
96	7/8 Dia A325	0 2		1HD WASH
12	BEAM		CF4_ma	
12	W14x34	1 3 1/2	CF4_ma	A709-50
	FIELD BOLTS			
36	7/8 Dia A325	0 2		1 HD WASH
12	PLATE		CF4_pb	
12	PL3x9	1 1 1/4	CF4_pb	A709-50
	FIELD BOLTS			
36	7/8 Dia A325	0 2 1/4		1 HD WASH
6	PLATE		CF4_pc	
6	PL5 1/2 x 6 1/2	1 5 1/2	CF4_pc	A709-50
8	SHIM PLATE SET		A38	
8	SHIM PLATE SET		A38	A709-50
16	PL 1/2 x 10	1 6	SH9	A709-50
8	PL 1/2 x 10	1 6	SH10	A709-50

OUT FOR APPROVAL	10/15										
OUT FOR APPROVAL											
ISSUED TO SHOP	10/29										
FIELD & OFFICE											
REV.	REMARKS	DATE	DWN	CHK	APP	Q. A.	NO.	DIA.	LGT	TYPE	WASHER

PROJECT NO. BHF 028-1(2)		STATE PROJECT NO. F128(9)	
MATERIAL : AS NOTED	ELECTRODES : E70LH	HOLES : 15/16 φ UNO	SHOP BOLTS : 7/8 φ
SURFACE PREPN & PAINT : GALVANIZED			
DESCRIPTION : STRUCTURAL DETAILS		DRWN BY	DATE
JOB : GRAND ISLE-NORTH HERO BRIDGE		LCL	OCTOBER 2007
COUNTY OF GRANDE ISLE, VT.		CHECKED BY	DATE
		LB	OCTOBER 2007
		APPROVED BY	DATE
		Q. A.	DATE
CUSTOMER : STATE OF VERMONT HIGHWAY DEPARTMENT			
<b>CASCO BAY STEEL STRUCTURES, INC.</b>		JOB NO.	DRG. NO.
75 SPRING HILL ROAD SACO, MAINE 04072		342	3
PHONE (207) 282-7360 FAX. (207) 282-1179		Oct 29 2007	
DRAWINGS PREPARED BY PATRIOT DRAFTING LLC.		09:40:52 AM	

RECEIVED  
NOV 05 2007  
RESUBMIT APPROVED  
BY DATE

JOB NO.	DRG NO.
342	3