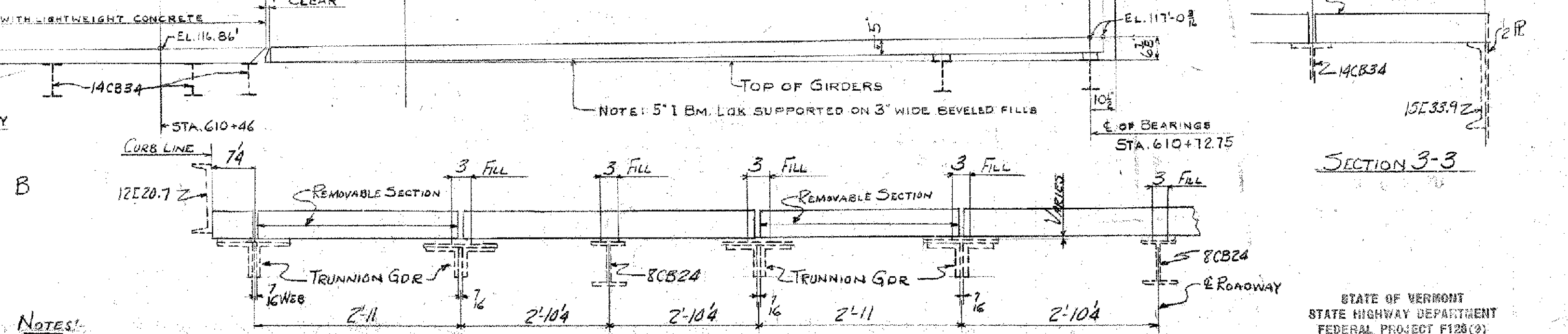
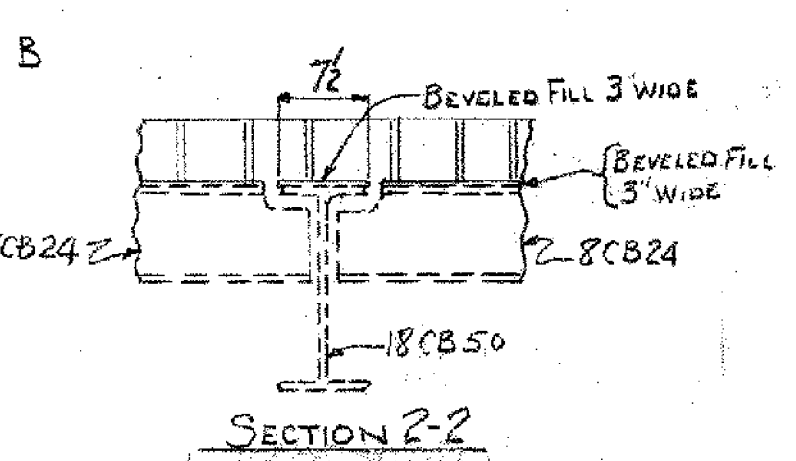
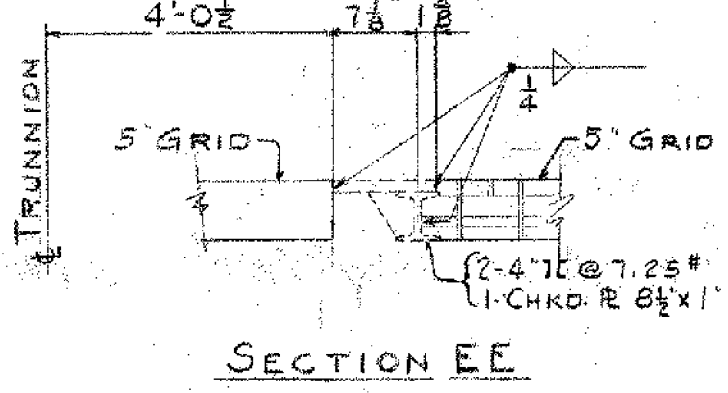
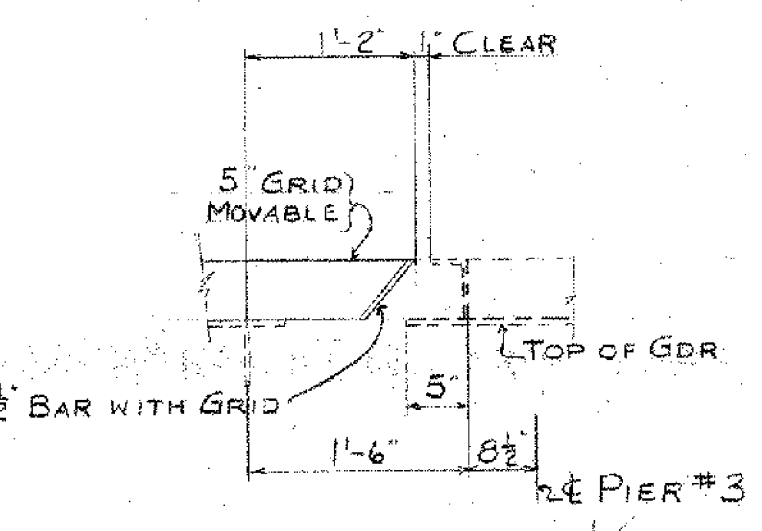
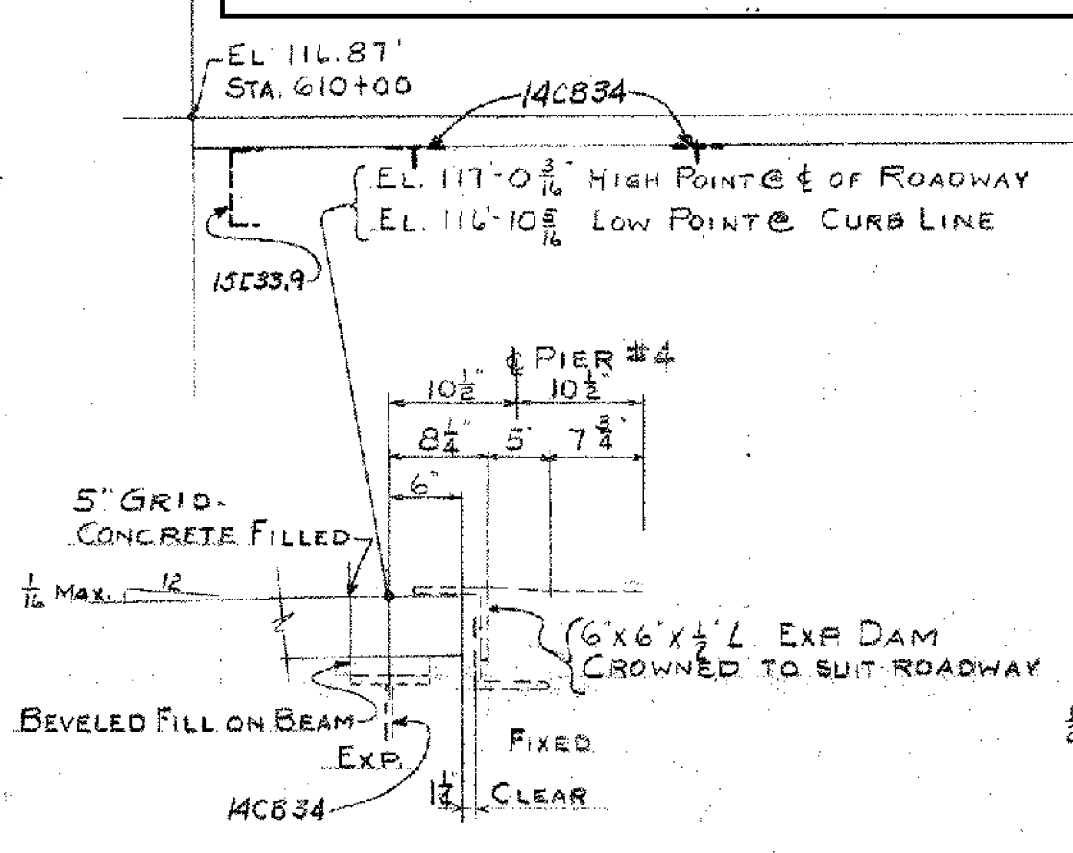


= REPLACE GRID DECK
 = 580.10 REPAIR OF CONCRETE SUPER.

ROADWAY FLOOR PLAN
 NOTE - ELEVATIONS GIVEN ARE TO TOP OF GRID

REMOVABLE LIGHTWEIGHT CONCRETE PANELS TO BE REPLACED



NOTES:
 ABOUT 2185-SQ FT. OF 5" I BM. LOK FOR LEAF #2 OF SPAN #3 & SPAN #4
 ROADWAY FLOOR GRID AS SHOWN ON DESIGNS #19-20-21-22-23-25-28 & 29 OF 72
 #NOTED ON PAGE 305 ITEM 406 OF STD SPECS OF STATE OF VERMONT
 DEPT. OF HIGHWAYS
 ORDERED ON PAGE #101 REG 57597
 SHIP DIRECT TO SITE
 SUPPLIER TO FURNISH 6 SETS OF DETAIL DRAWINGS FOR APPROVAL
 #ADDITIONAL PRINTS AS REQUESTED FOR FILE
 FURNISH TRACINGS FOR CUSTOMERS PERMANENT FILE
 REMOVABLE SECTIONS TO BE BOLTED IN PLACE WITH 2" BRASS BOLTS WITH LOCK WASHERS & W/ NUTS
 FULL FIELD WELDED TO SUPPORTING BEAMS. NO BOLT HEADS TO BE ABOVE TOP OF GRID
 OPEN STEEL GRID FLOORING - MAIN MEMBERS TRANSVERSE TO TRAFFIC. TRUNNION SPAN AND
 PARALLEL TO TRAFFIC - BASCULE SPAN. MINIMUM MOMENT OF INERTIA 4.45 IN⁴ FOR A SIX INCH WIDTH.
 EACH MAIN MEMBER TO BE WELDED TO SUPPORT WITH 1/2" FILLET WELD BOTH SIDES. IT SHALL
 BE EQUIVALENT TO U.S.S.I. BEAM/LOK OPEN FLOOR AS TO DESIGN DETAIL OF OPENINGS.

See sheet 1A for method of "D" holding down removable sections
NORTH HALF ROADWAY GRID

PROJECT NAME: NORTH HERO-GRANDE ISLE
 PROJECT NUMBER: BHF 028-1(K21)

FILE NAME: structure\s92b284cleandsca
 PROJECT LEADER: M. EVANS-MONGEON
 DESIGNED BY: S. SCRIBNER
 PLOT DATE: 18-OCT-2007
 DRAWN BY: L. DUQUETTE
 CHECKED BY: S. SCRIBNER
 SHEET 20 OF 41

STATE OF VERMONT
 STATE HIGHWAY DEPARTMENT
 FEDERAL PROJECT #128(2)
 GRAND ISLE-NORTH HERO BRIDGE
 COUNTY OF GRAND ISLE, VT.