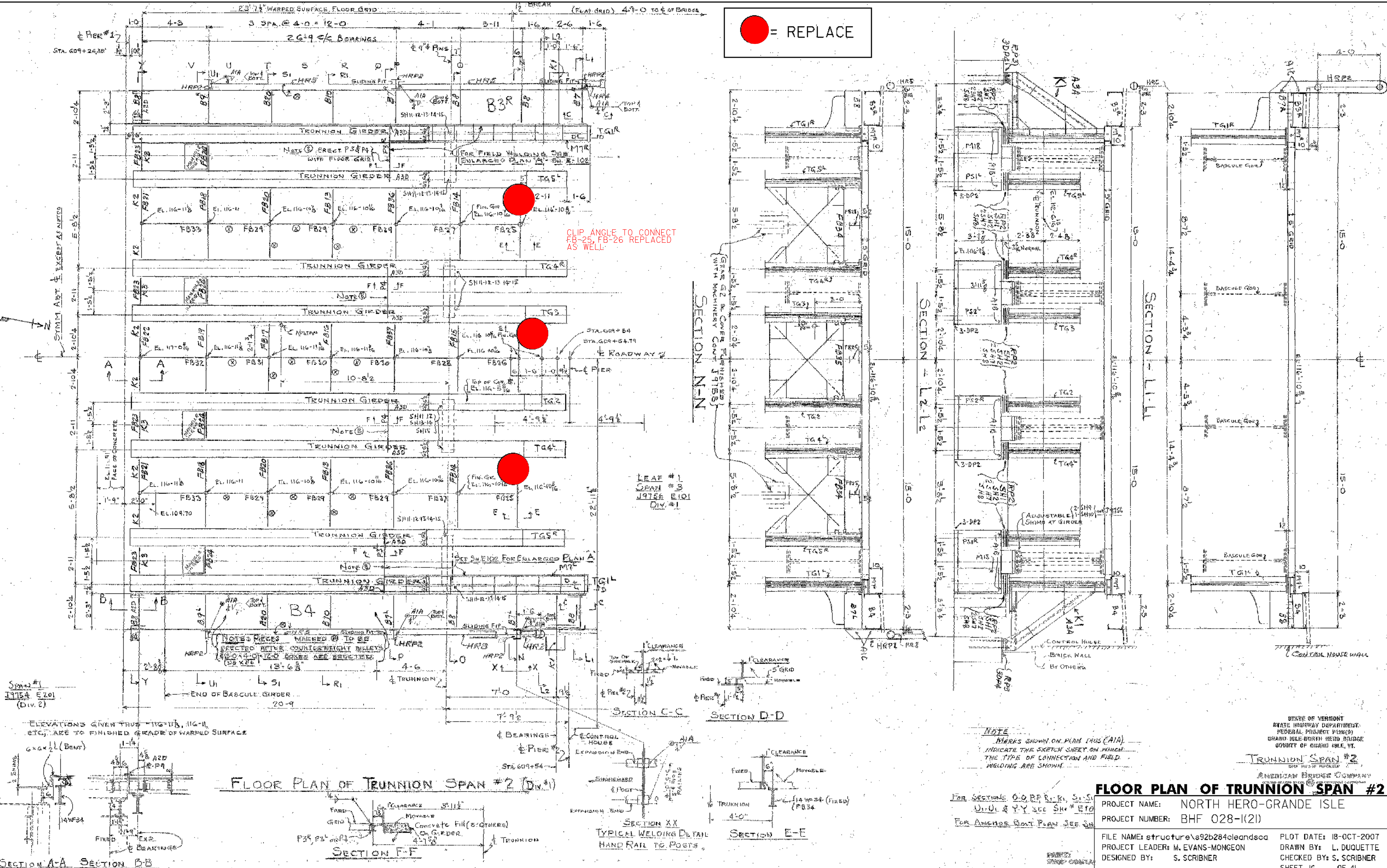


● = REPLACE

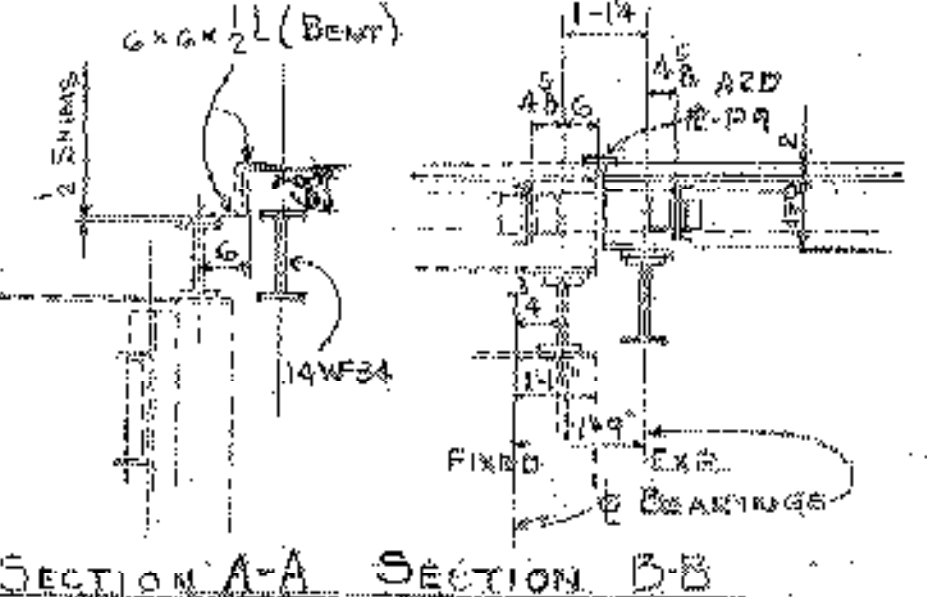
CLIP ANGLE TO CONNECT FB-25, FB-26 REPLACED AS WELL.

LEAF #1
SPAN #3
19756 E101
DIV. #1



Span #1
19754 E201
(Div. 2)

ELEVATIONS GIVEN THUS 116-11B, 116-11, ETC. ARE TO FINISHED GRADE OF WARPED SURFACE.



FLOOR PLAN OF TRUNNION SPAN #2 (Div. #1)

SECTION C-C

SECTION D-D

SECTION XX
TYPICAL WELDING DETAIL
HAND RAIL TO POSTS

SECTION E-E

NOTE
MARKS SHOWN ON PLAN (AIA)
INDICATE THE SKETCH SHEET ON WHICH
THE TYPE OF CONNECTION AND FIELD
WELDING ARE SHOWN.

FLOOR PLAN OF TRUNNION SPAN #2

PROJECT NAME: NORTH HERO-GRANDE ISLE
PROJECT NUMBER: BHF 028-(K21)

FILE NAME: structure\92b284cleandsoc
PLOT DATE: 18-OCT-2007
PROJECT LEADER: M. EVANS-MONGEON
DESIGNED BY: S. SCRIBNER
DRAWN BY: L. DUQUETTE
CHECKED BY: S. SCRIBNER
SHEET 16 OF 41

STATE OF VERMONT
STATE HIGHWAY DEPARTMENT
FEDERAL PROJECT #126(9)
GRAND ISLE-NORTH HERO BRIDGE
COUNTY OF GRAND ISLE, VT.

TRUNNION SPAN #2
DIV. #2

AMERICAN BRIDGE COMPANY