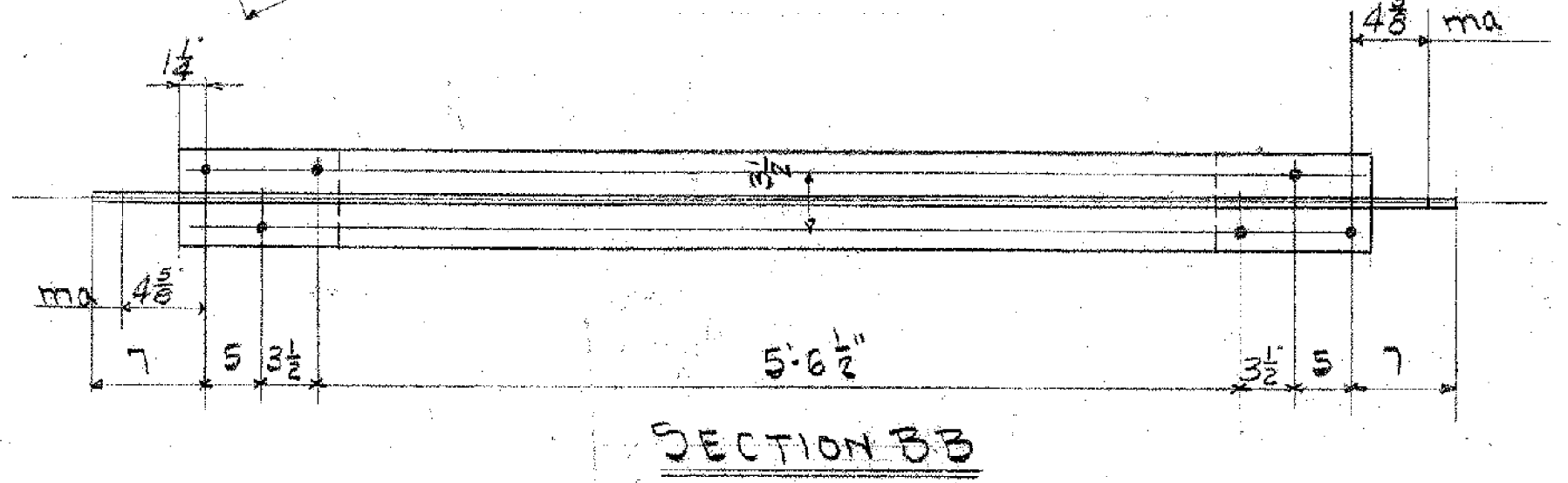
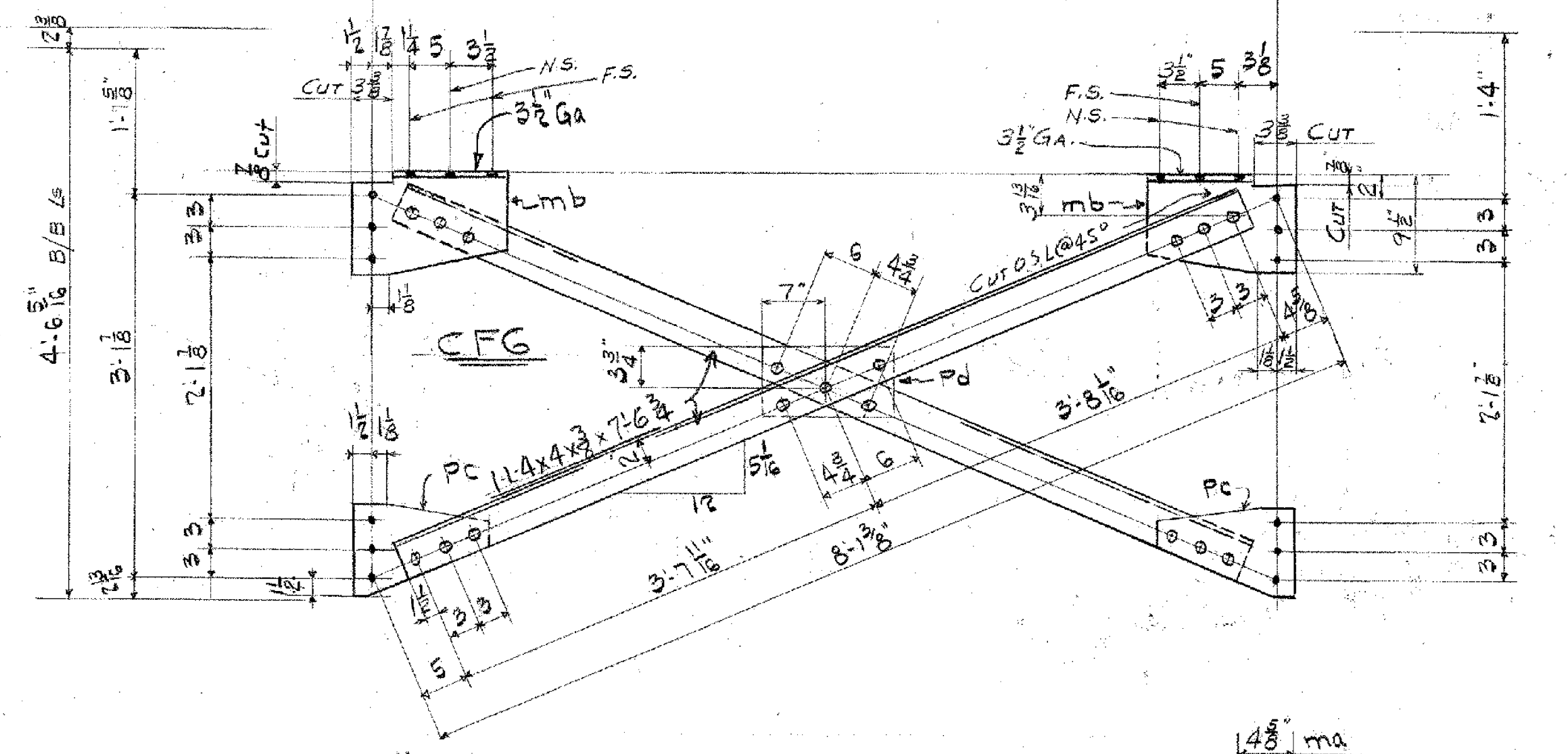
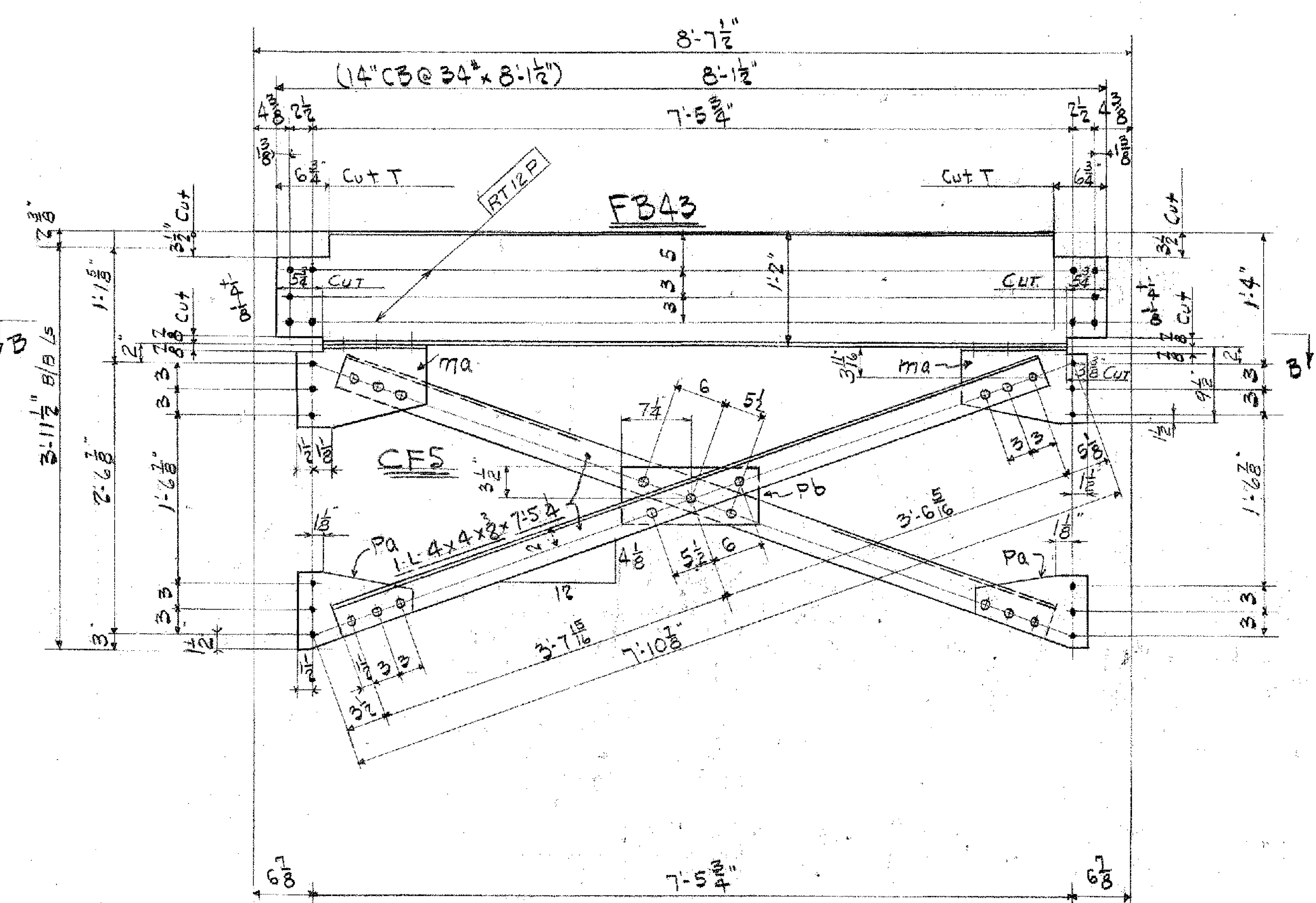


CHANGE ALL
71 @ 15.3"
TO 61 @ 15.0"



NO.	QTY	DESCRIPTION	MATERIAL	ASSIGN.	REMARKS	ORDERED	CALCULATED
1	1	ONE FLOOR PLATE	P8 R		KEEP		
1	1	ONE " " "	P8 L				
		2 CHKD R 3 1/2 x 7 2 1/2			CORROSION PL. 7 1/2 x 17 1/2 (1057)		
1	1	ONE FLOOR BEAM - FB11	FB11 R				
1	1	ONE " " "	FB11 L				
		2 7 I 15.3	8 1 1/2			5	5
		6 L 6 6 3/8	0 2 1/2	aa		5	5
3	3	3-FLOOR BEAMS - FB12	FB12 R				
3	3	3- " " "	FB12 L				
		6 5 I 10	2 4 1/4			5	5
6	6	12 FLOOR BEAMS - FB43	FB43				
		12 14 C3 @ 34	8 1 1/2			8-1 1/2	1017
3	3	6 CROSS FRAMES - CF5	CF5				
		12 L 4 x 4 3/8	7 5 1/2			29-11	1032
		12 P 9 x 3/8	1 0	pa		5	5
		12 CB 14 @ 34	1 2 1/2	ma	CUT	40-0	1016
		6 P 7 x 7/8	1 2 1/2	pb		5	5
3	3	6 CROSS FRAMES - CF6	CF6				
		12 L 4 x 4 3/8	7 6 3/4			30-4	1031
		12 P 9 x 3/8	1 1 1/2	pc		5	5
		12 CB 14 @ 34	1 2 1/2	mb	CUT	40-0	1016
		6 P 7 x 7/8	1 2	pd		5	5

FLOOR PLATES P8 FLOOR BMS - FB11-12
FLOOR BEAMS - FB43
CROSS FRAMES - CF5-CF6

STATE OF VERMONT
STATE HIGHWAY DEPARTMENT
FEDERAL PROJECT F199(3)
GRAND ISLE-NORTH HERO BRIDGE
COUNTY OF GRAND ISLE, VT.

R.T. - SUB PUNCHED 1/4" AND REAMED TO TEMPT 1 1/4"
BASCULE SPAN STRUCTURAL DETAILS

Rivs
HOLES
PAINT: RED SHOP COAT

PROJECT NAME: NORTH HERO-GRANDE ISLE
PROJECT NUMBER: BHF 028-(K2I)
FILE NAME: structure\s92b284cleandsca
PROJECT LEADER: M. EVANS-MONGEON
DESIGNED BY: S. SCRIBNER

PLOT DATE: 18-OCT-2007
DRAWN BY: L. DUQUETTE
CHECKED BY: S. SCRIBNER
SHEET 13 OF 41

EVERYTHING ON THIS SHEET TO BE REPLACED EXCEPT P8R