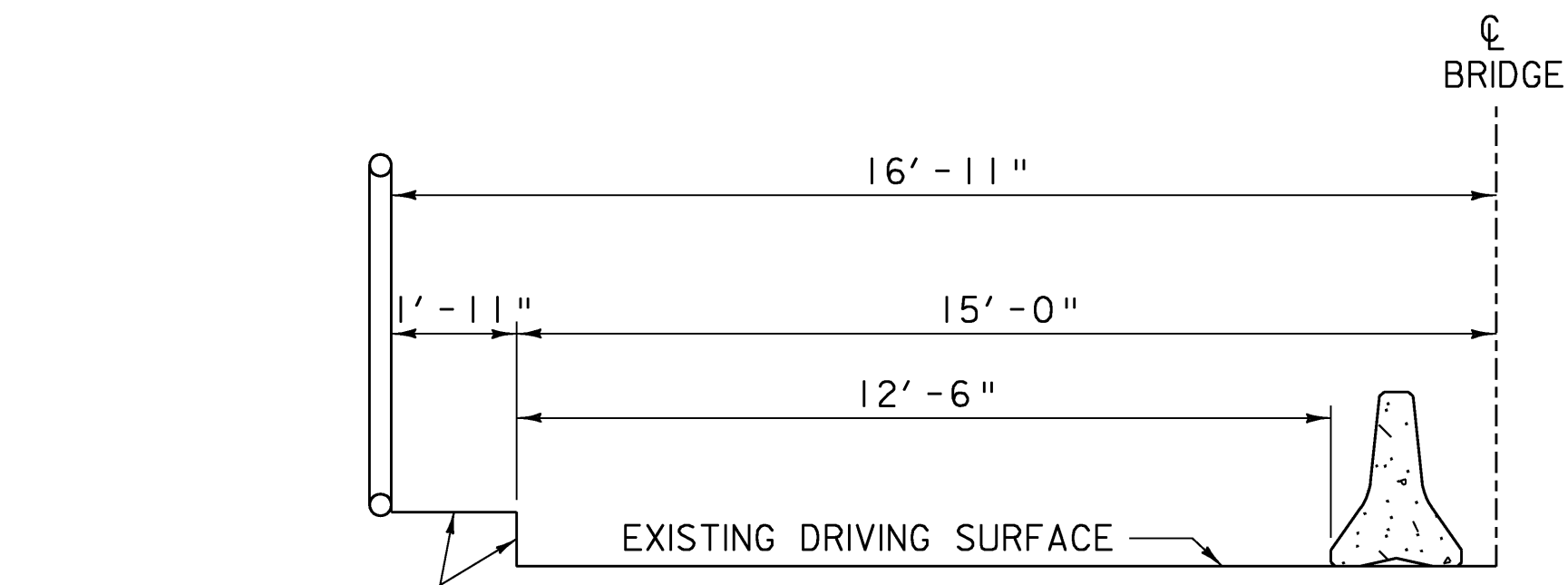


RIGHT SIDE TEMP. BRIDGE ELEVATION

ELEVATION VIEW SHOWS EXISTING BARRIER AT THE C OF BRIDGE, REFER TO SECTIONS BELOW FOR EXISTING BARRIER PLACEMENT AT RAIL.

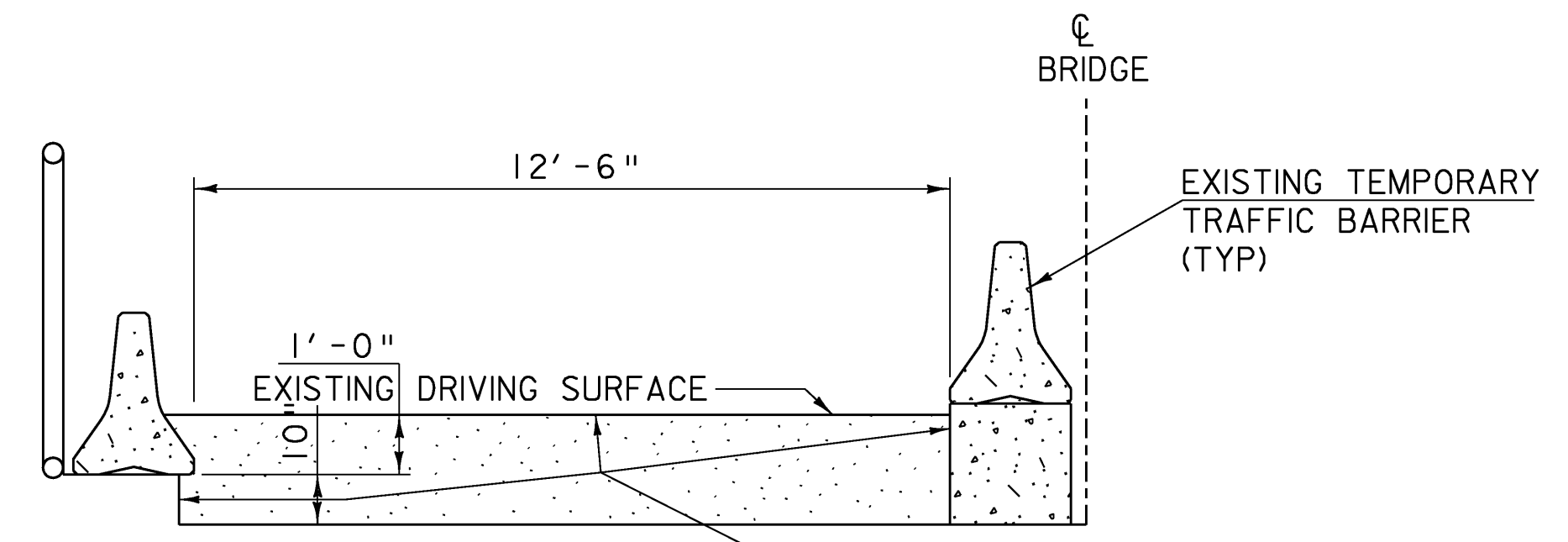
SCALE $\frac{1}{8}'' = 1'-0''$
 10 2 4 6 8



END RAMP SECTION 1

STA. 608+64.94 TO 608+74.94
 AND
 STA. 611+24.94 TO 611+34.94

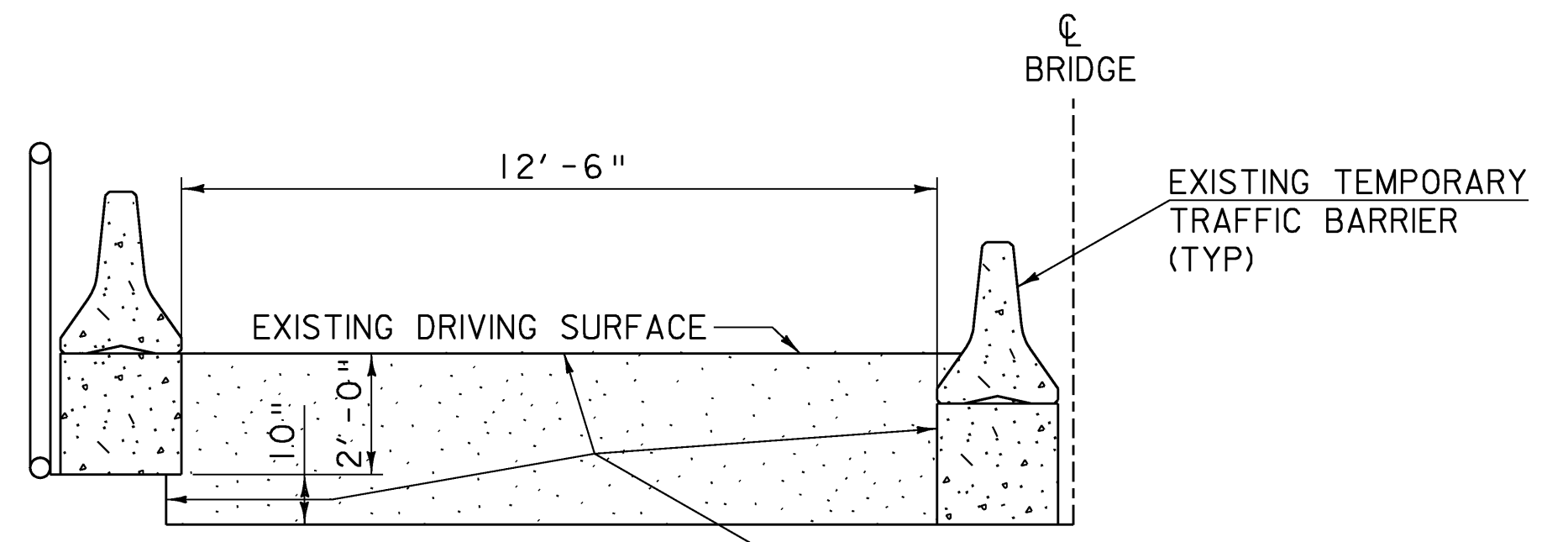
SCALE $\frac{3}{8}'' = 1'-0''$
 1 0 1 2 3 4



RAMP SECTION 2

STA. 608+74.94 TO 608+94.94
 AND
 STA. 611+04.94 TO 611+24.94

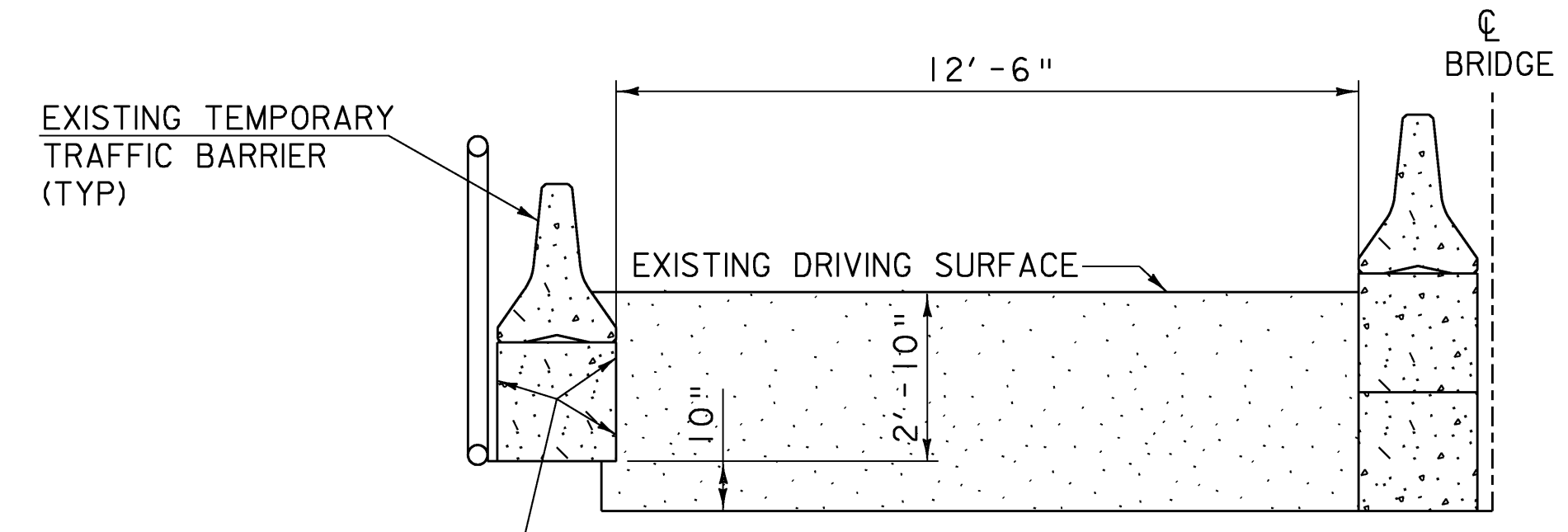
SCALE $\frac{3}{8}'' = 1'-0''$
 1 0 1 2 3 4



RAMP SECTION 3

STA. 608+94.94 TO 609+14.94
 AND
 STA. 610+84.94 TO 611+04.94

SCALE $\frac{3}{8}'' = 1'-0''$
 1 0 1 2 3 4



RAMP SECTION 4

STA. 609+14.94 TO 609+24.94
 AND
 STA. 610+74.94 TO 610+84.94

SCALE $\frac{3}{8}'' = 1'-0''$
 1 0 1 2 3 4

EXISTING TEMPORARY BRIDGE DETAILS

PROJECT NAME:	NORTH HERO-GRAND ISLE
PROJECT NUMBER:	BHF 028-1(21)
FILE NAME:	struc\s92b284tempdtds.dgn
PROJECT LEADER:	M. EVANS MONGEON
DESIGNED BY:	S. SCRIBNER
PLOT DATE:	22-OCT-2007
DRAWN BY:	L. DUQUETTE
CHECKED BY:	S. SCRIBNER
SHEET	5 OF 41