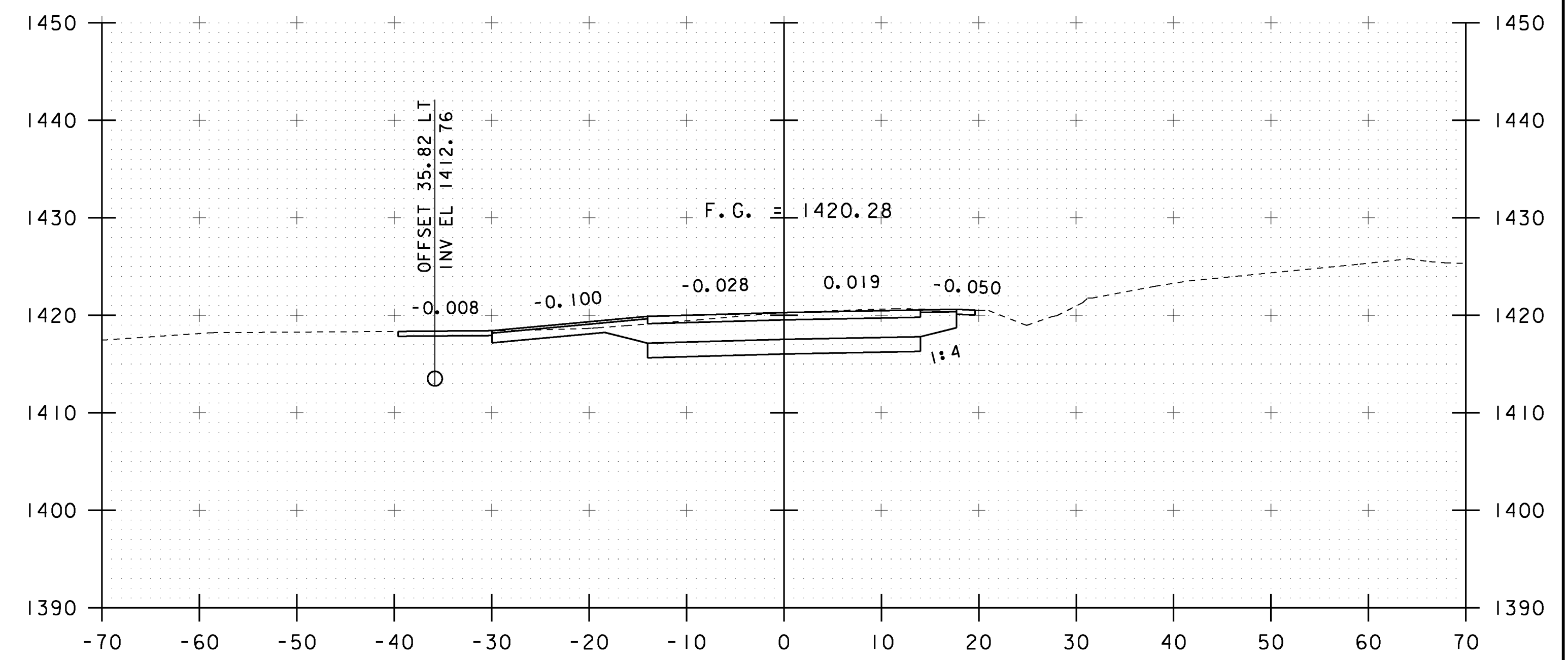
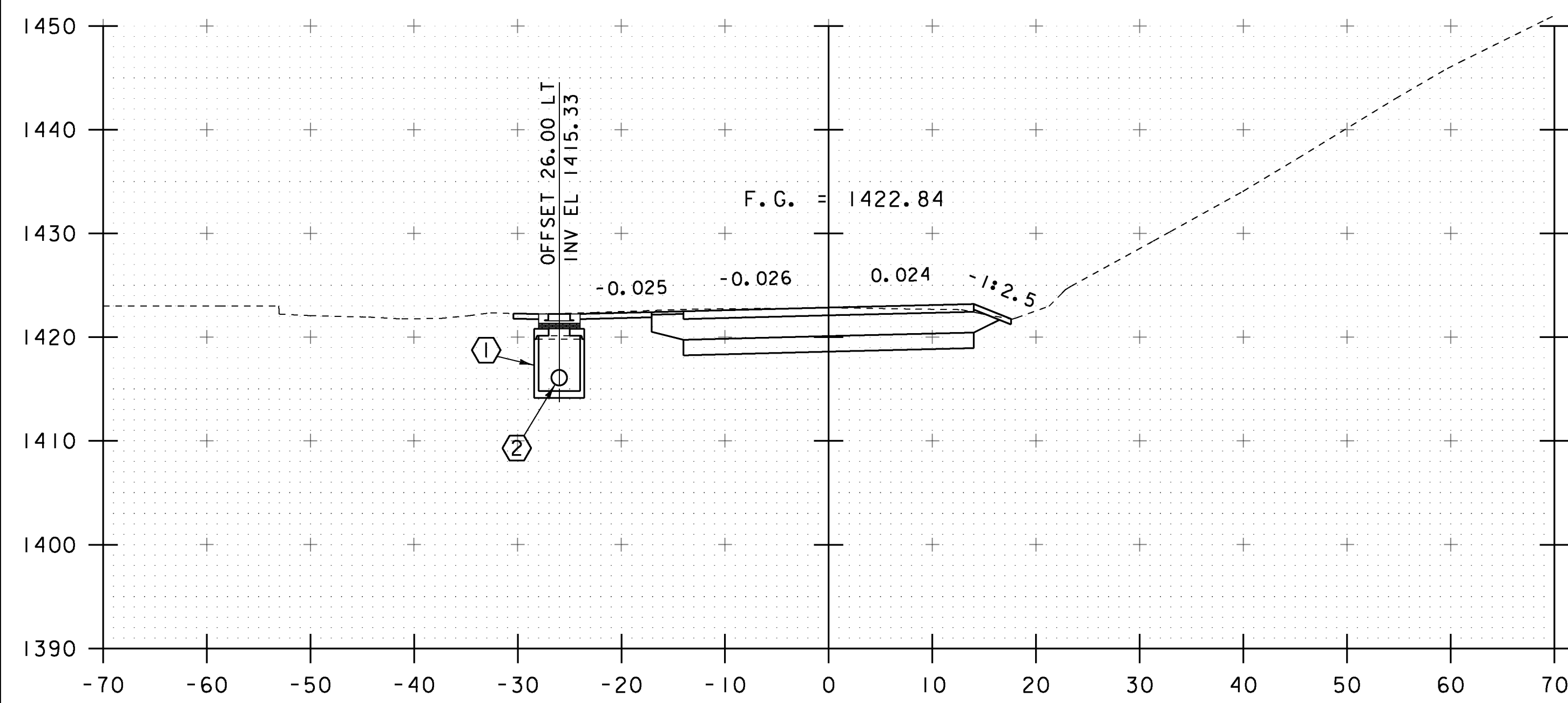


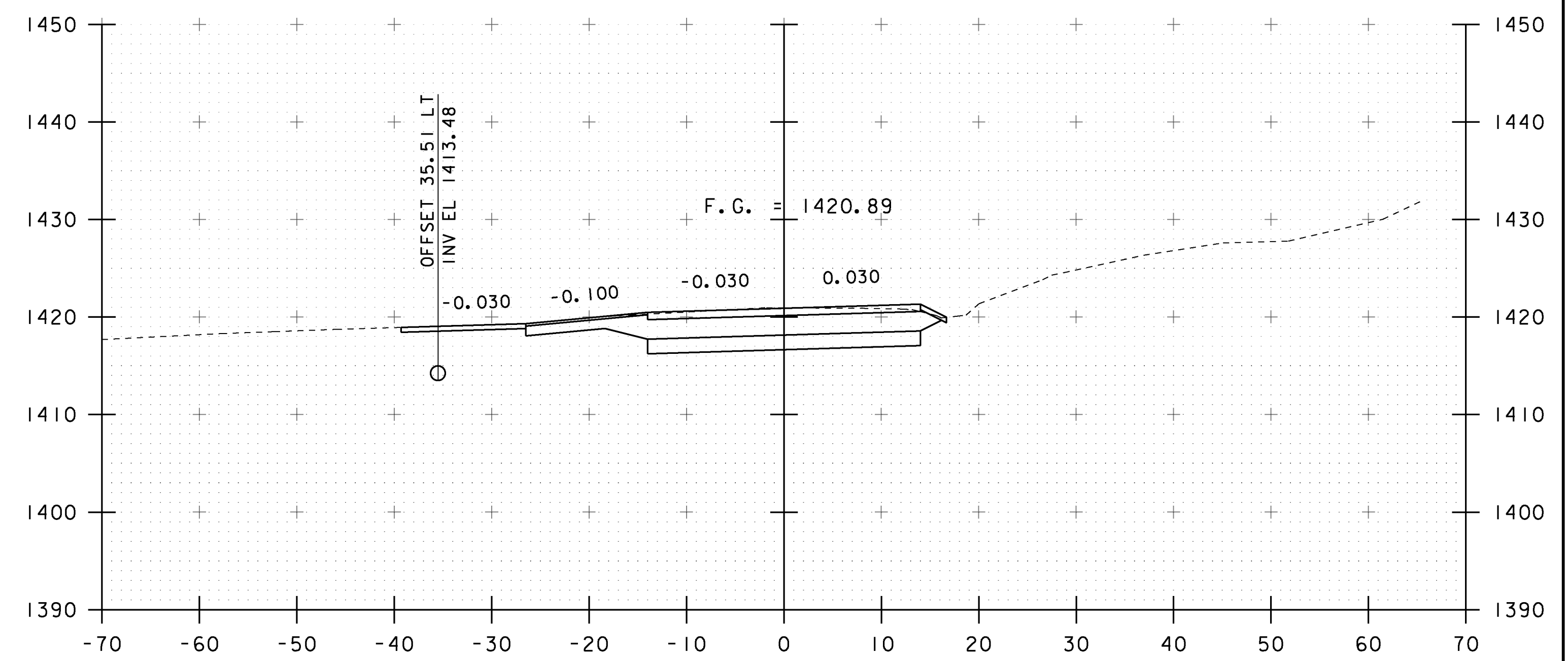
120+75



121+25



BEGIN PROJECT 120+50



121+00

STA. 120+50 TO STA. 121+25

PROJECT NAME:	WARDSBORO	PLOT DATE:	15-JUL-2015
PROJECT NUMBER:	BRF 013-I(15)	DRAWN BY:	J. GRIFFIN
FILE NAME:	s92b283xsl.dgn	CHECKED BY:	D. PETERSON
PROJECT LEADER:	C. CARLSON	SHEET	33 OF 51
DESIGNED BY:	J. GRIFFIN		
VT 100 CROSS SECTIONS 2			