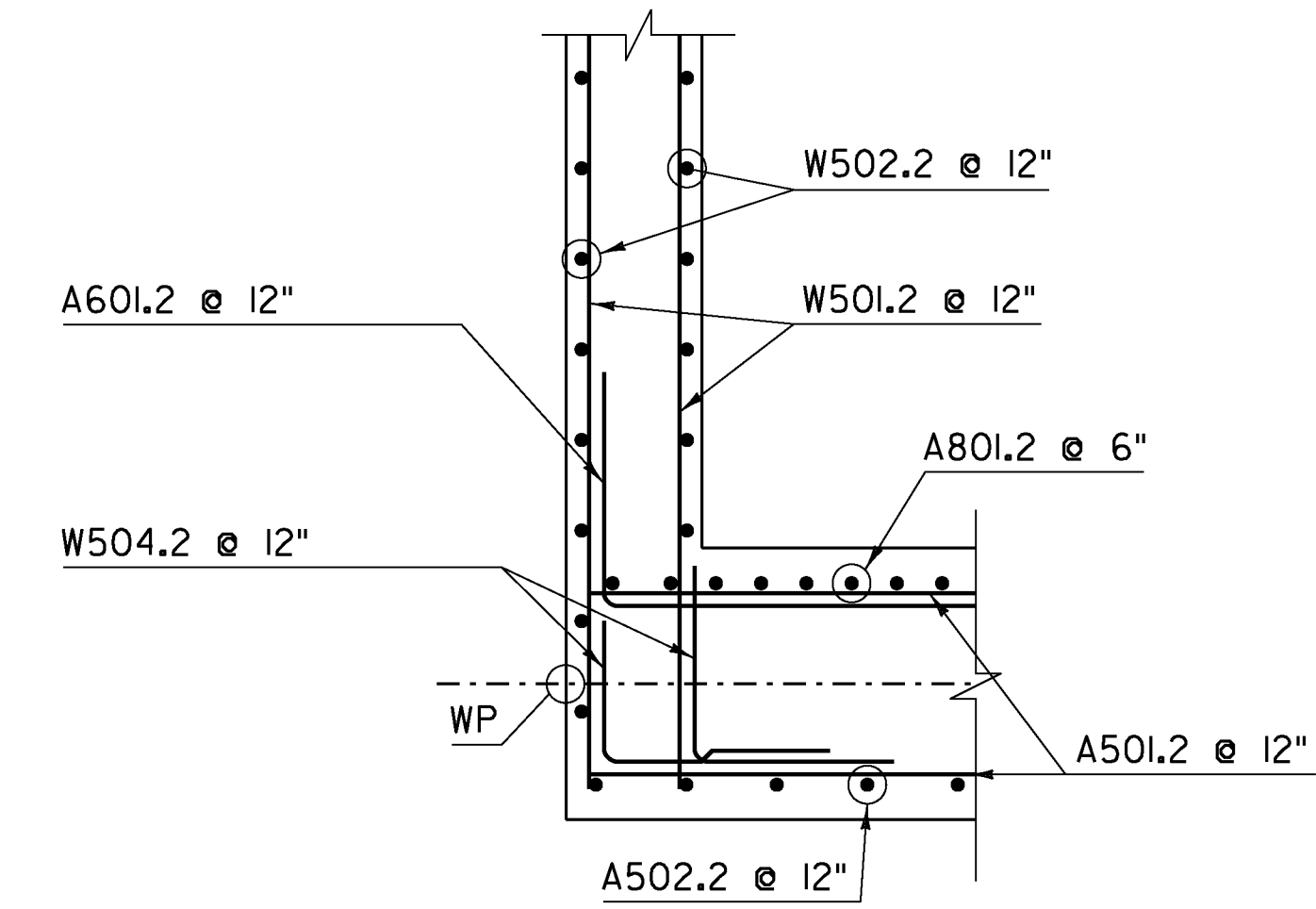
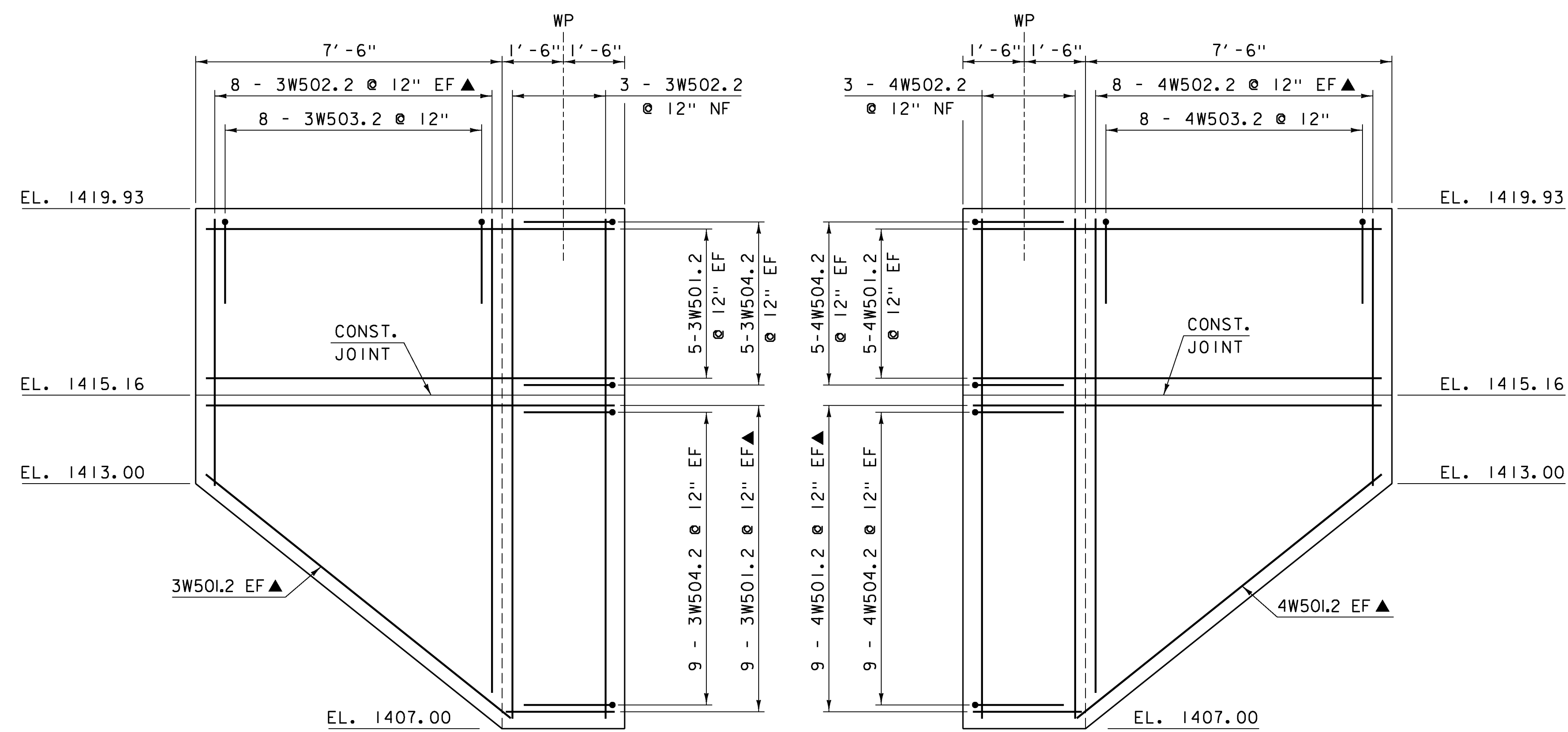


WINGWALL NO. 2 ELEVATION
SCALE 1/2" = 1'-0

WINGWALL NO. 1 ELEVATION
SCALE 1/2" = 1'-0

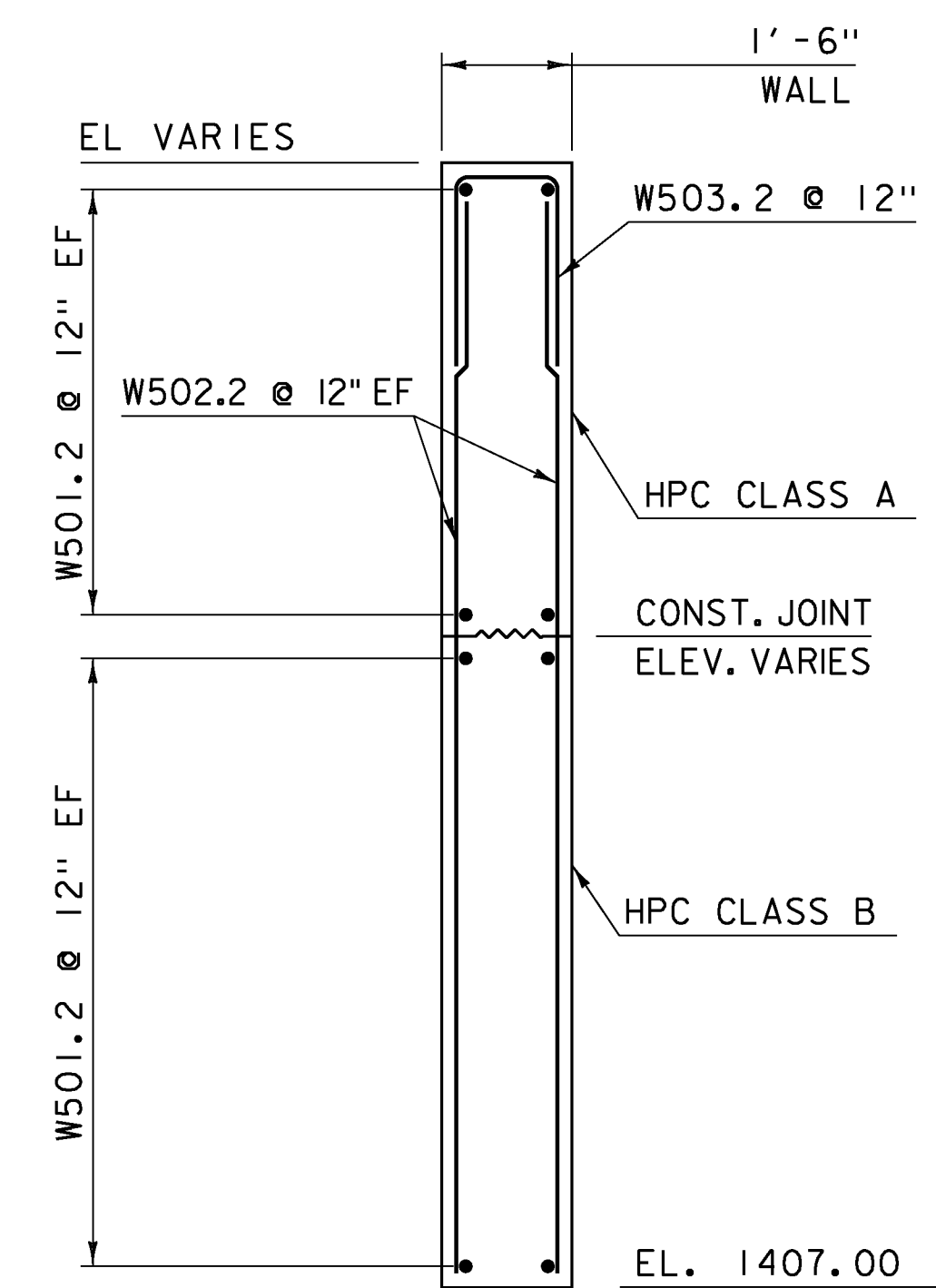


WINGWALL CORNER DETAIL (TYP)
SCALE 1/2" = 1'-0



WINGWALL NO. 3 ELEVATION
SCALE 1/2" = 1'-0

WINGWALL NO. 4 ELEVATION
SCALE 1/2" = 1'-0



WINGWALL SECTION (TYP)
SCALE 1/2" = 1'-0

NOTE:
NF = NEAR FACE
FF = FAR FACE
EF = EACH FACE
▲ = CUT TO FIT IN FIELD
3" CLEAR, UNLESS OTHERWISE
SPECIFIED ON THE PLANS.
2'-2" BAR LAP UNLESS OTHERWISE
SPECIFIED ON THE PLANS.

PROJECT NAME: WARDBORO	PLOT DATE: 15-JUL-2015
PROJECT NUMBER: BRF 013-1(15)	DRAWN BY: R. PELLETT
FILE NAME: s92b283sub.dgn	DESIGNED BY: D. PETERSON
PROJECT LEADER: C. CARLSON	CHECKED BY: D. PETERSON
WINGWALLS I-4 ELEVATIONS & TYPICALS	SHEET 30 OF 51