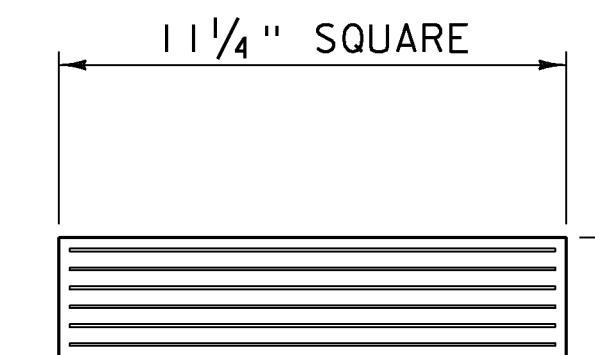
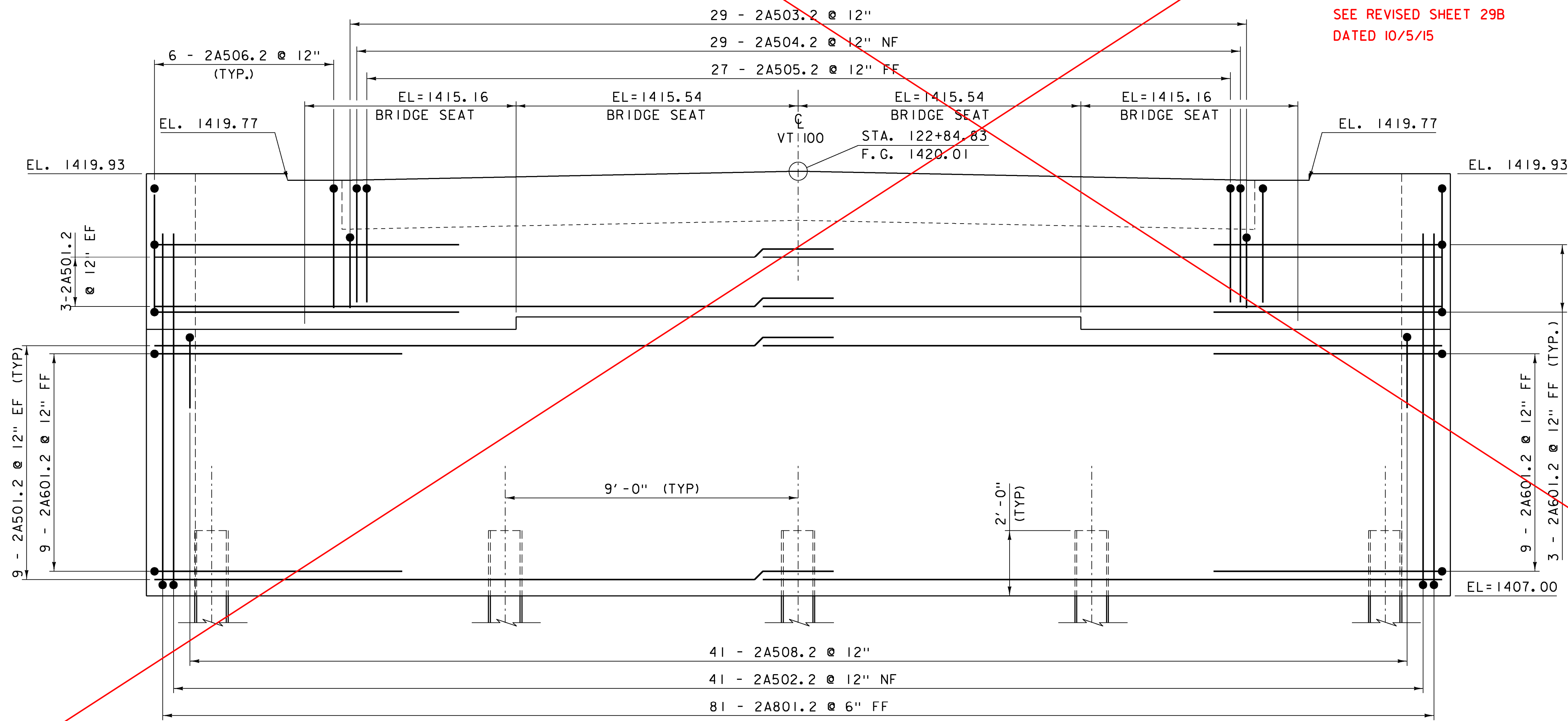


INTEGRAL ABUTMENT NO. 2 PLAN
SCALE 1/2" = 1'-0"



- 1/4" EXTERIOR ELASTOMER LAYER (TOP, BOTTOM @ ALL-AROUND)
- (5) 3/8" LAYERS OF INTERIOR ELASTOMER
- (6) 0.0625" (16 GAUGE) STEEL REINFORCING PLATES

ELASTOMERIC BEARING PAD DETAIL
NOT TO SCALE



INTEGRAL ABUTMENT NO. 2 ELEVATION
SCALE 1/2" = 1'-0"

NOTE:
 NF = NEAR FACE
 FF = FAR FACE
 EF = EACH FACE
 ▲ = CUT TO FIT IN FIELD
 3" CLEAR, UNLESS OTHERWISE SPECIFIED ON THE PLANS.
 2'-2" BAR LAP UNLESS OTHERWISE SPECIFIED ON THE PLANS.

PROJECT NAME:	WARDSBORO
PROJECT NUMBER:	BRF 013-1(15)
FILE NAME:	s92b283sub.dgn
PROJECT LEADER:	C. CARLSON
DESIGNED BY:	D. PETERSON
PLOT DATE:	15-JUL-2015
DRAWN BY:	R. PELLETT
CHECKED BY:	D. PETERSON
ABUTMENT #2 PLAN & ELEVATION AND BEARING DETAIL SHEET	29A OF 51