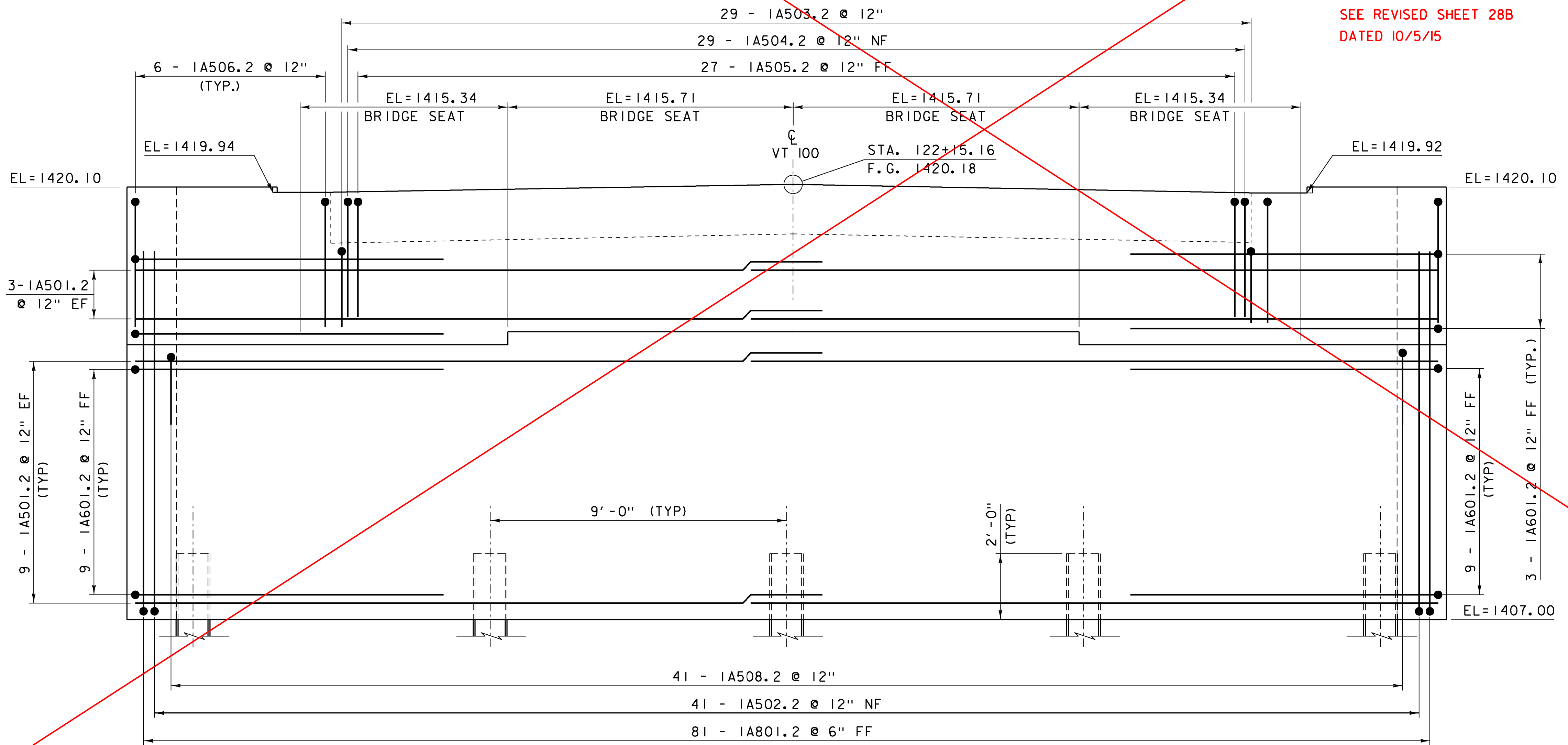


INTEGRAL ABUTMENT NO. 1 PLAN

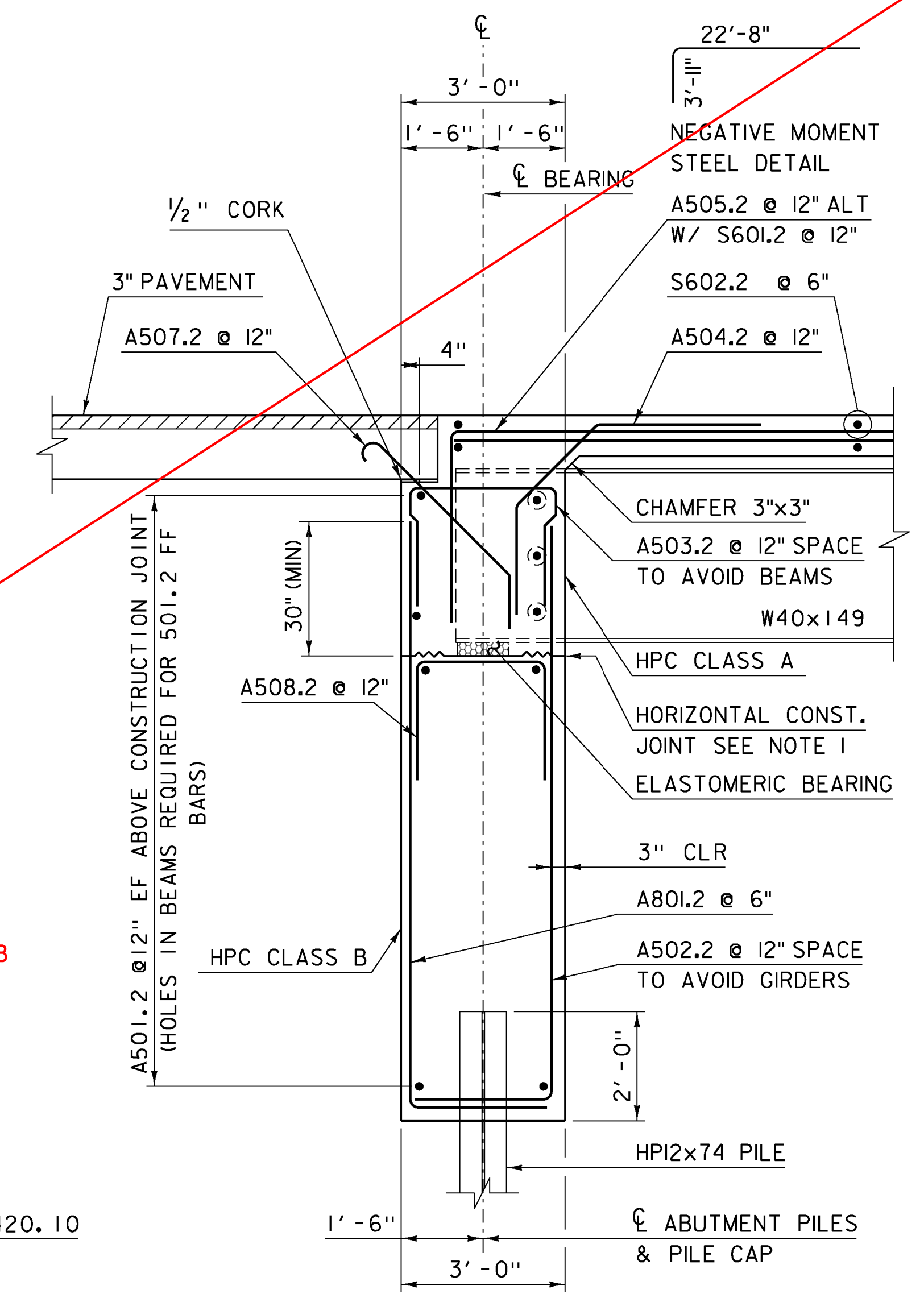
SCALE 1/2" = 1'-0"



INTEGRAL ABUTMENT NO. 1 ELEVATION

SCALE 1/2" = 1'-0"

SEE REVISED SHEET 28B
 DATED 10/5/15



ABUTMENT 1 & 2 TYPICAL

SCALE: 1/2" = 1'-0"

- 1) HORIZONTAL CONSTRUCTION JOINT SHALL BE ROUGHENED AS SHOWN IN STRUCTURES DETAIL SHEET SD-501.00. SURFACE SHALL BE ROUGHENED TO WITHIN 3" OF EACH FACE OF CONCRETE AND WITHIN 3" OF ELASTOMERIC BEARING PADS. SURFACE UNDER EACH BEARING PAD SHALL REMAIN SMOOTH.
- 2) SEE STRUCTURES DETAIL SHEET SD-502.00 FOR BRIDGE PLAQUE DETAILS.

NOTE:

NF = NEAR FACE
 FF = FAR FACE
 EF = EACH FACE
 ▲ = CUT TO FIT IN FIELD
 3" CLEAR, UNLESS OTHERWISE SPECIFIED ON THE PLANS.
 2'-2" BAR LAP UNLESS OTHERWISE SPECIFIED ON THE PLANS.

PROJECT NAME:	WARDSBORO	PLOT DATE:	15-JUL-2015
PROJECT NUMBER:	BRF 013-1(15)	DRAWN BY:	R. PELLET
FILE NAME:	s92b283sub.dgn	DESIGNED BY:	D. PETERSON
PROJECT LEADER:	C. CARLSON	CHECKED BY:	D. PETERSON
ABUTMENT #1 PLAN & ELEVATION		SHEET	28A OF 51