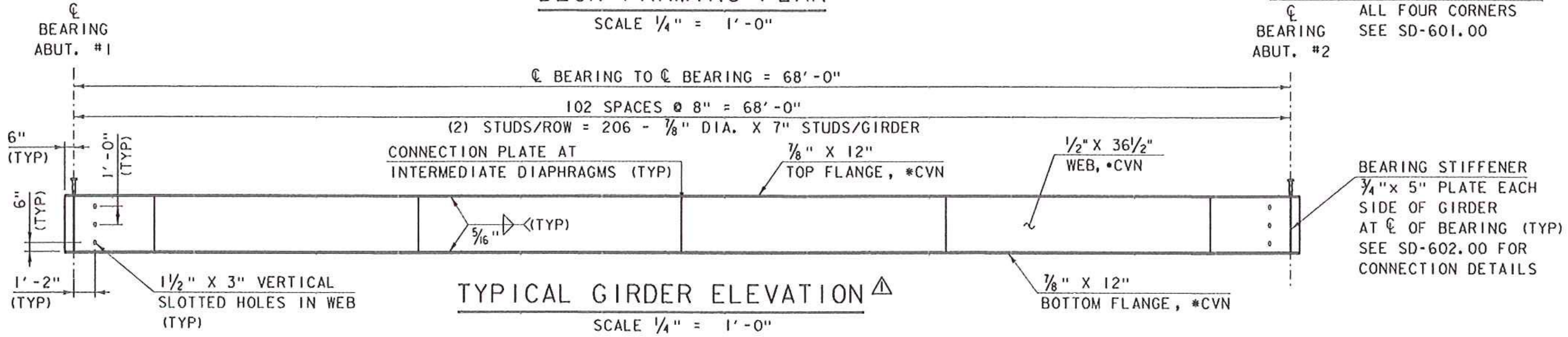
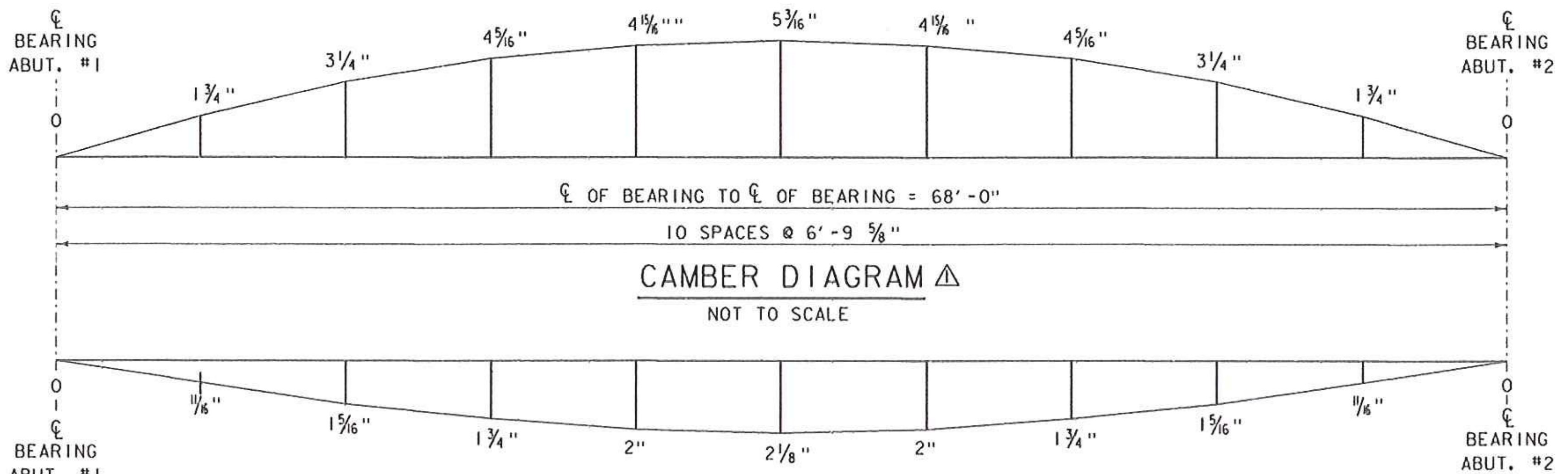


DECK FRAMING PLAN
SCALE 1/4" = 1'-0"



TYPICAL GIRDER ELEVATION
SCALE 1/4" = 1'-0"



CAMBER DIAGRAM
NOT TO SCALE



DEAD LOAD DEFLECTION DIAGRAM
NOT TO SCALE

6" DRIP PLATE (TYP)
ALL FOUR CORNERS
SEE SD-601.00

BEARING STIFFENER
3/4" x 5" PLATE EACH
SIDE OF GIRDER
AT CL OF BEARING (TYP)
SEE SD-602.00 FOR
CONNECTION DETAILS

NOTE:
*CVN - SHALL MEET CHARPY V-NOTCH REQUIREMENTS FOR MAIN MEMBERS AS INDICATED IN SECTION 714 OF THE STANDARD SPECIFICATION. DEAD LOAD DEFLECTION INCLUDES: GIRDER, DIAPHRAGMS, DECK & BRIDGE RAIL.

PROJECT NAME: WARDSBORO		PLOT DATE: 08-OCT-2015	
PROJECT NUMBER: BRF 013-(K15)		DRAWN BY: D. KARABEGOVIC	
FILE NAME: s92b283sup.dgn		DESIGNED BY: D. PETERSON	
PROJECT LEADER: C. CARLSON		CHECKED BY: D. PETERSON	
DECK FRAMING PLAN		SHEET 26 OF 51	

KEY	DATE	BY	REVISION
△	10/05/2015	VAOT	MODIFIED ROLLED BEAM TO PLATE GIRDER.