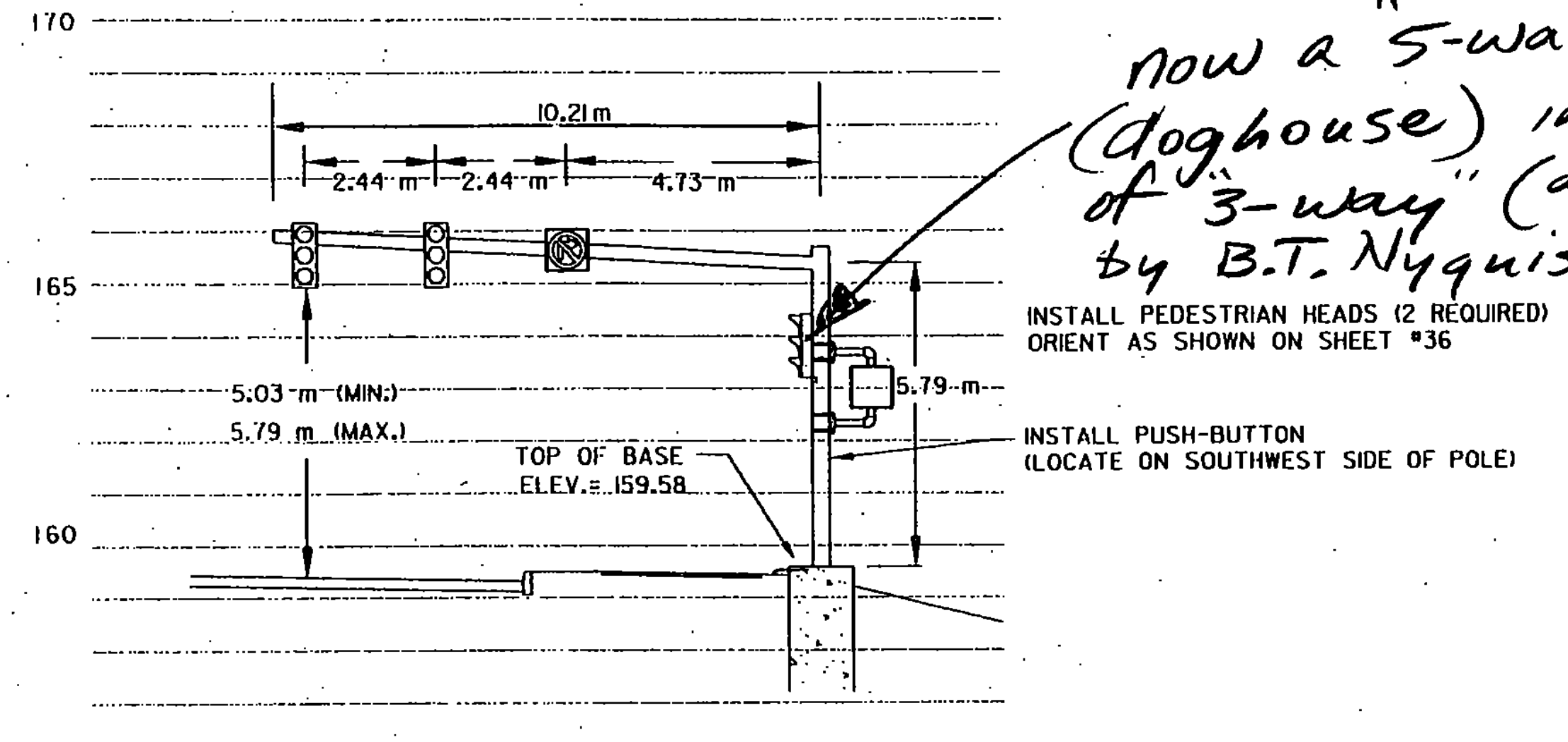
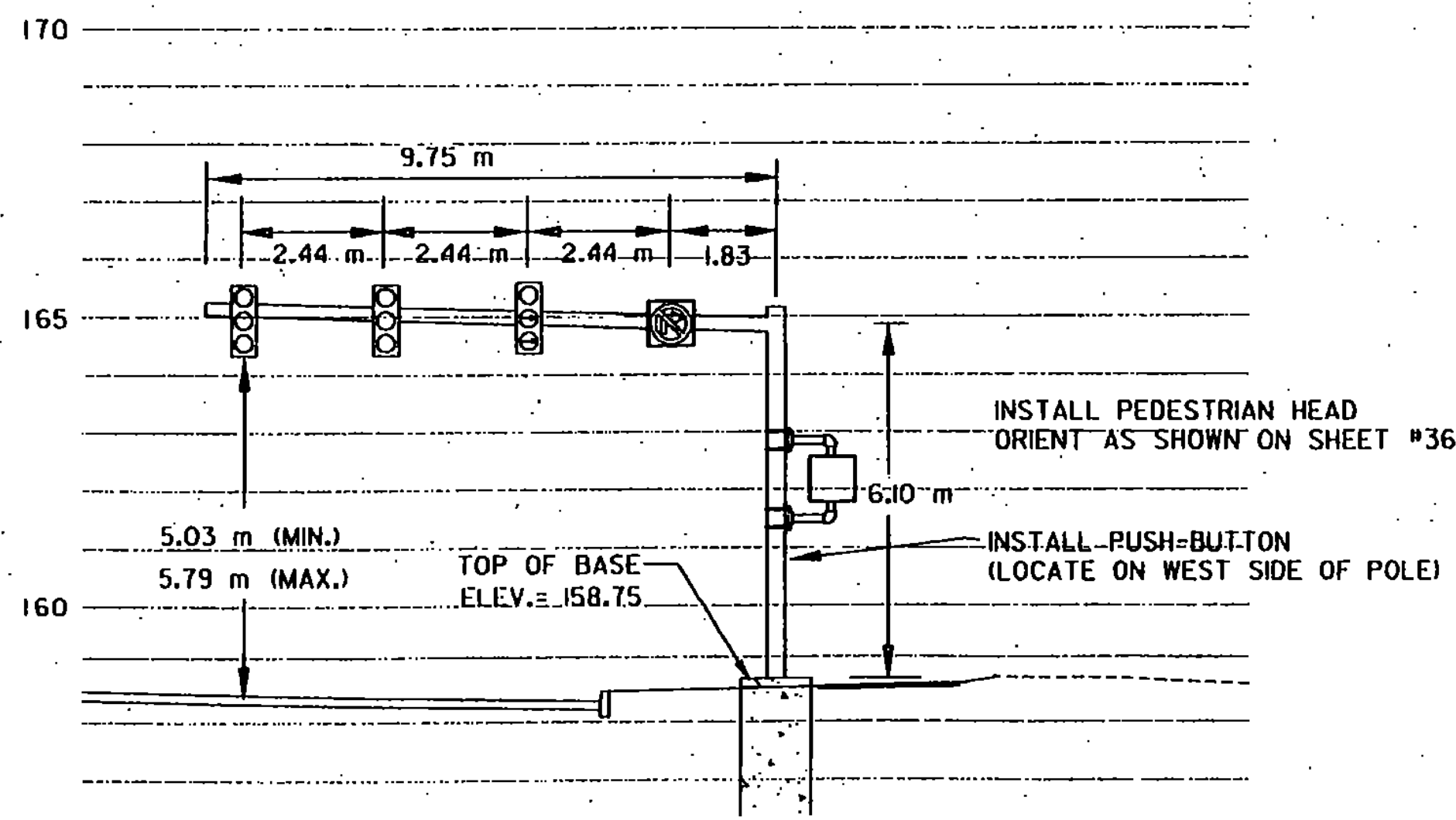


MAST ARM #1 CROSS SECTION
WESTBOUND VIEW

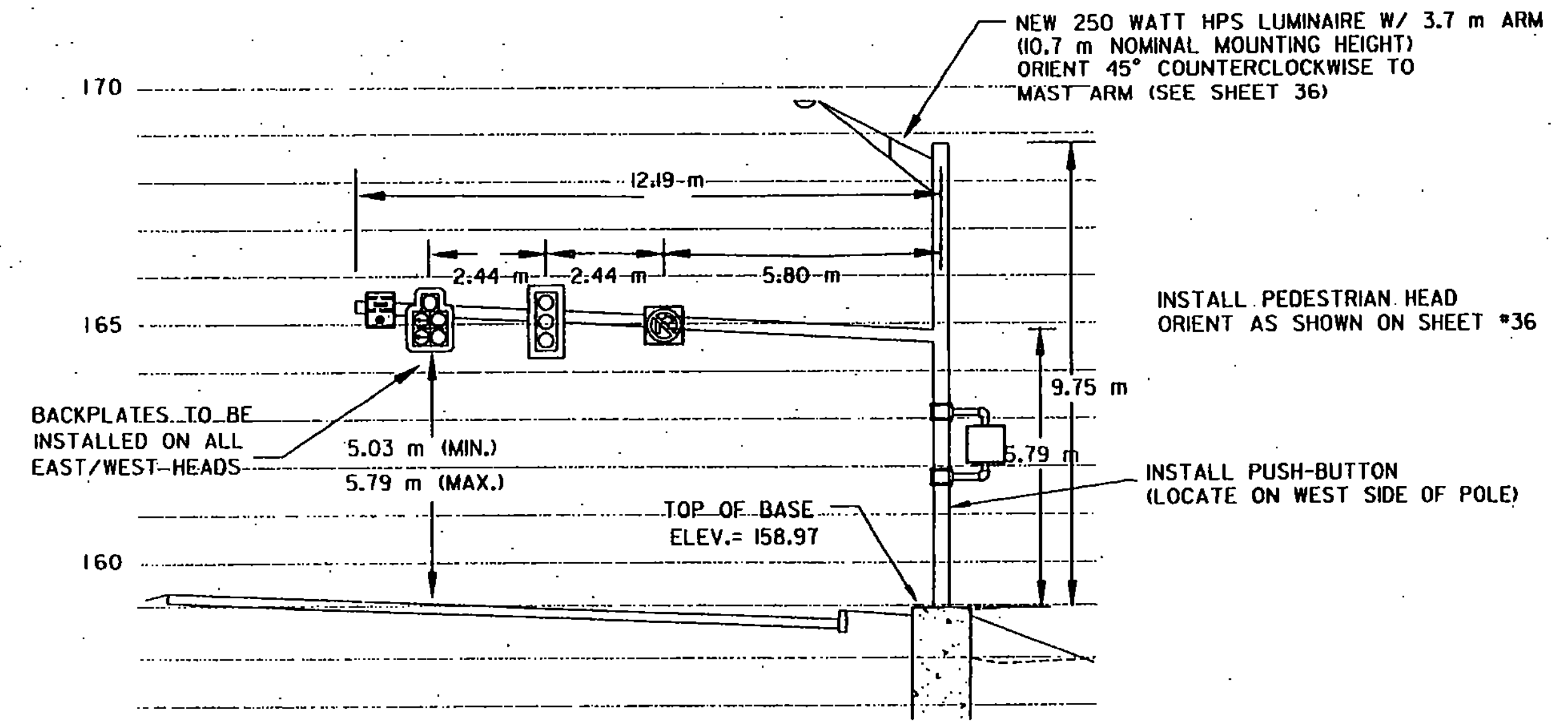


MAST ARM #2 CROSS SECTION
NORTHBOUND VIEW

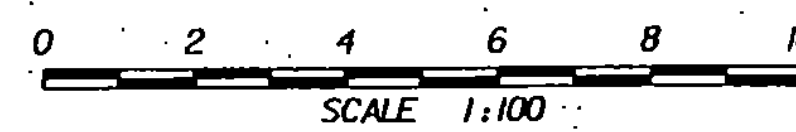
*now a "5-way
(doghouse) instead
of "3-way" (approved
by B.T. Nyquist on 11/3/04)*



MAST ARM #3 CROSS SECTION
SOUTHBOUND VIEW



MAST ARM #4 CROSS SECTION
EASTBOUND VIEW



MAST ARM CROSS SECTIONS	PROJECT NAME: ESSEX
	PROJECT NUMBER: STP 030-1171S
	PLOT FILE NAME: zstp030-1171sfrm6.dgn
	L&D PROJECT NUMBER: 00-074
DESIGNED BY: LAMOUREUX & DICKINSON	DRAWN BY: PLC
CONSULTING ENGINEERS, INC.	CHECKED BY: RJD
	SHEET 37 OF 42