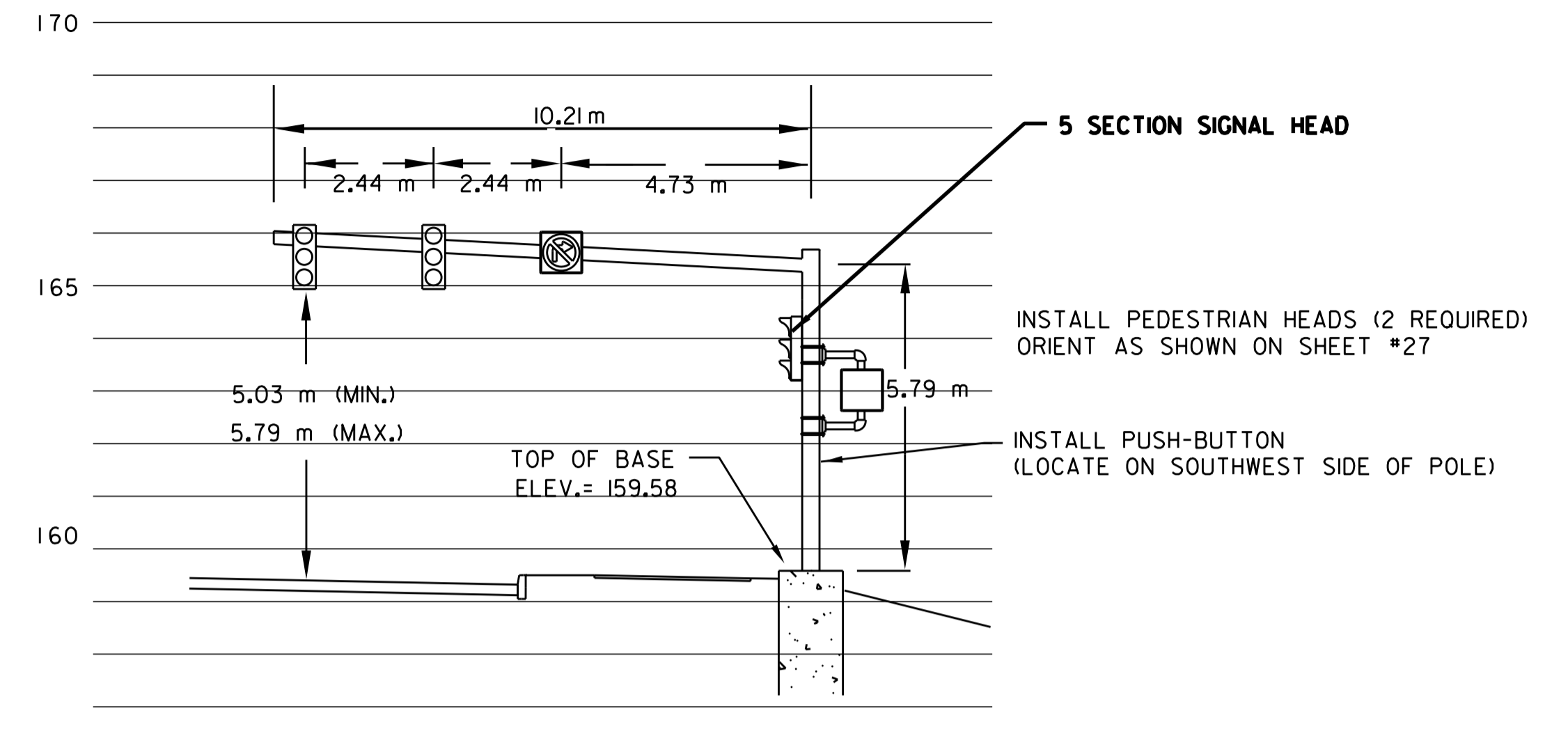
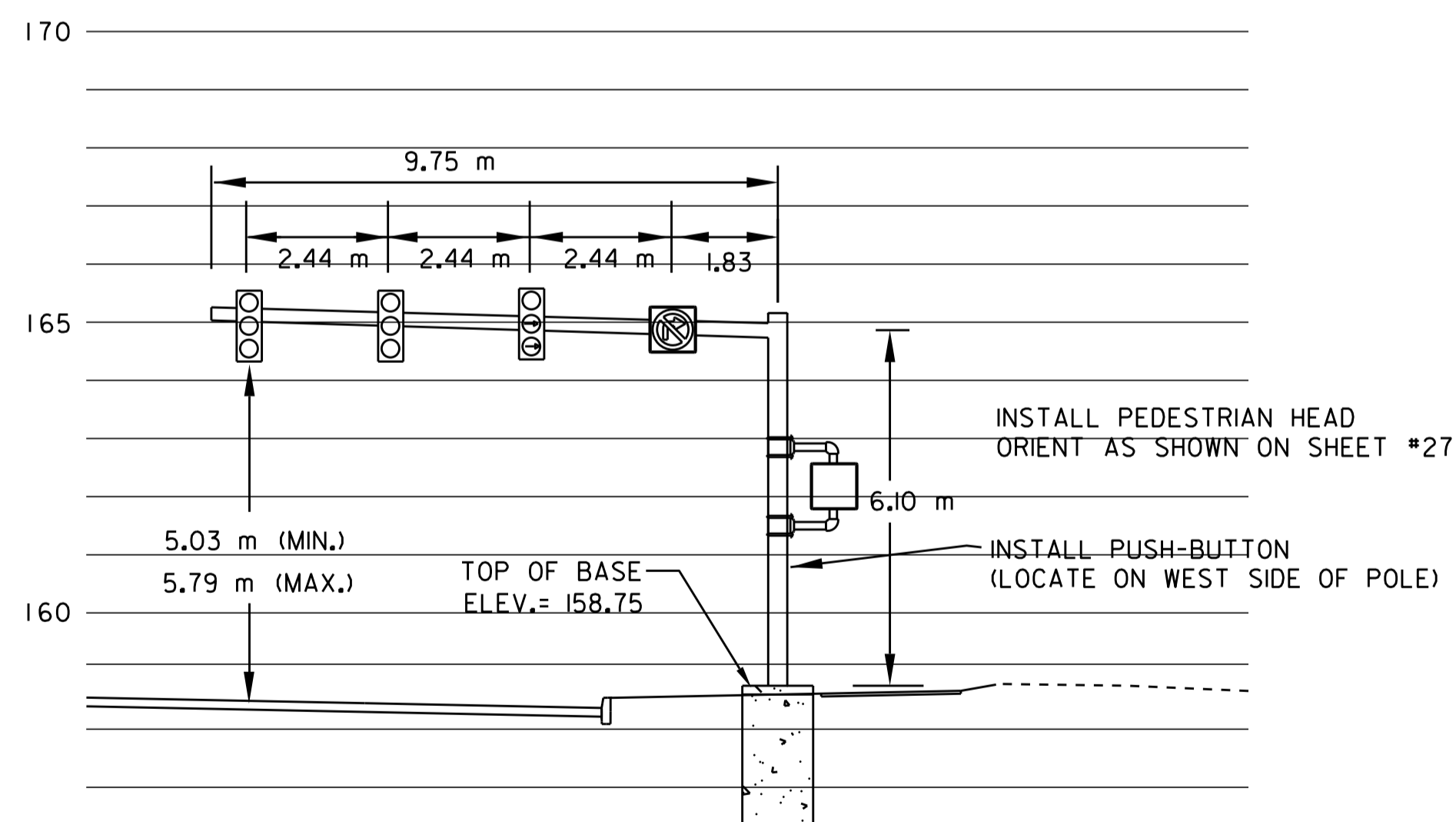


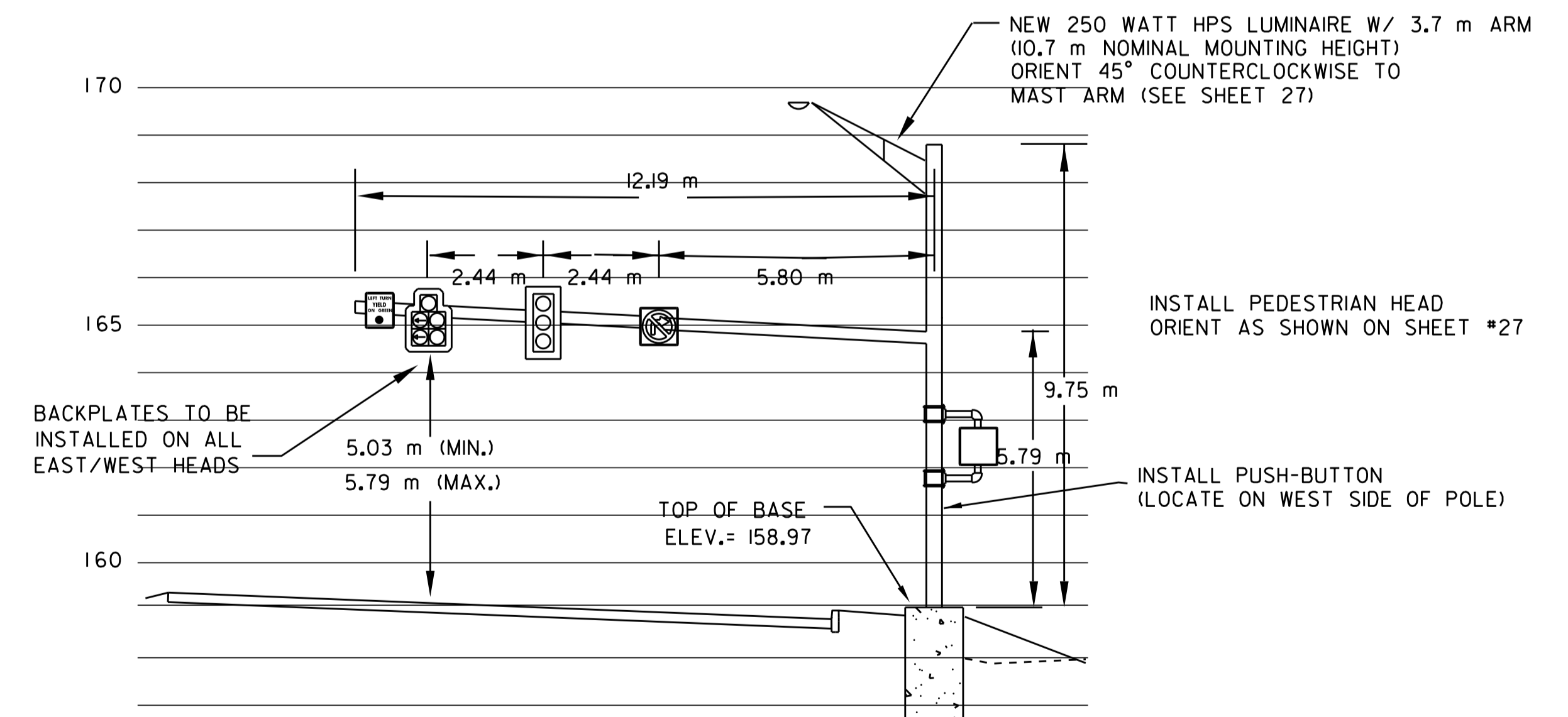
MAST ARM #1 CROSS SECTION
WESTBOUND VIEW



MAST ARM #2 CROSS SECTION
NORTHBOUND VIEW



MAST ARM #3 CROSS SECTION
SOUTHBOUND VIEW



MAST ARM #4 CROSS SECTION
EASTBOUND VIEW



MAST ARM
CROSS SECTIONS

PROJECT NAME: ESSEX
PROJECT NUMBER: STP 030-1(17)S

PLOT FILE NAME: zstp030-1(17)sfrm6.dgn

L&D PROJECT NUMBER: 00-074
DESIGNED BY: LAMOUREUX & DICKINSON
CONSULTING ENGINEERS, INC.

DRAWN BY: PLC
CHECKED BY: RJD
SHEET 28