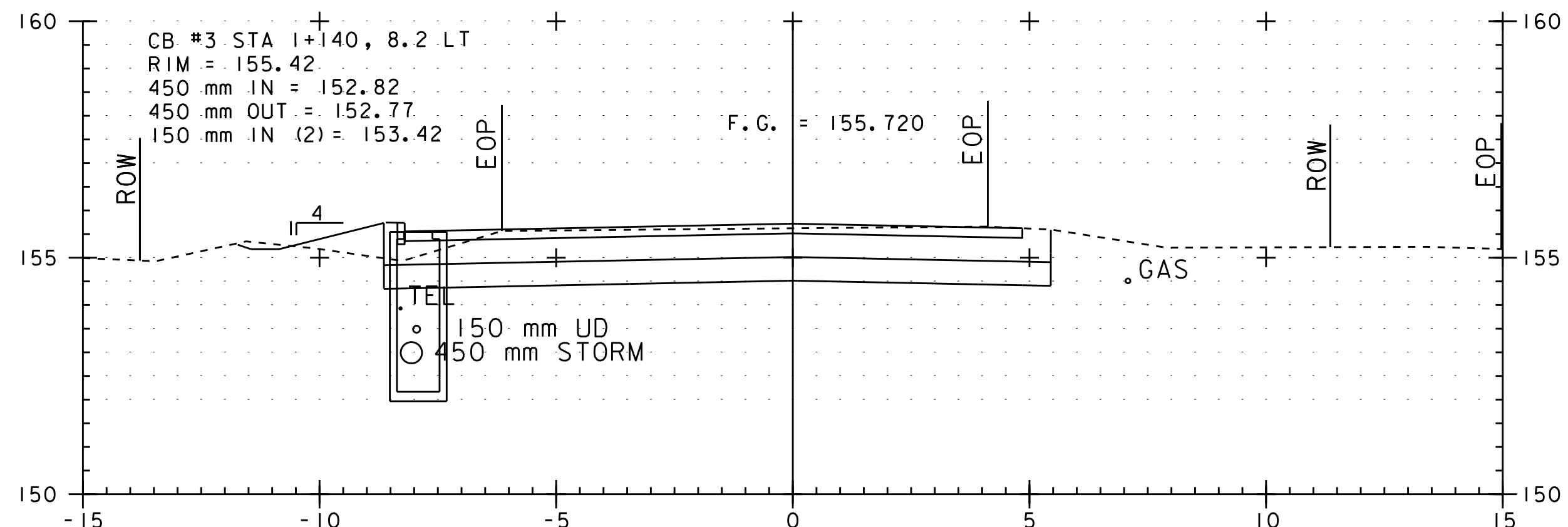
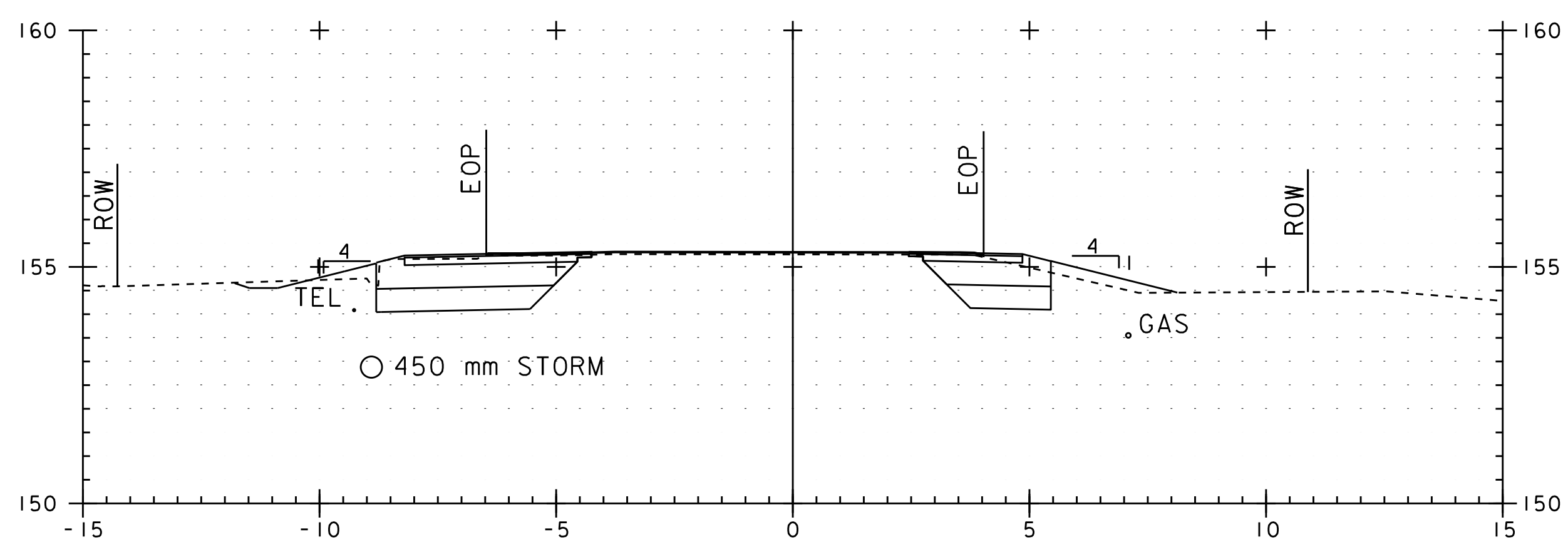


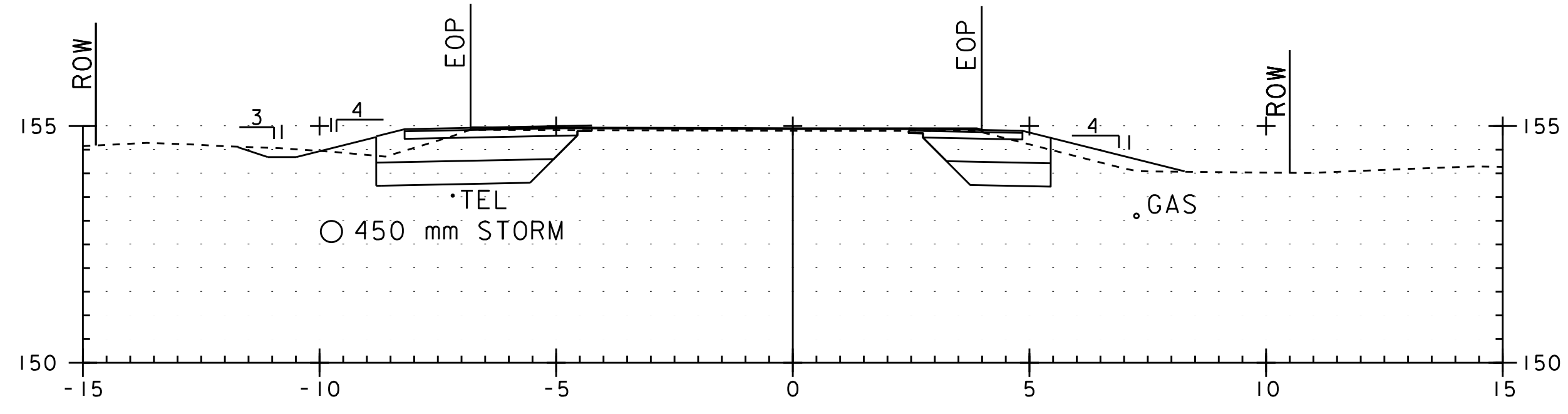
I+150



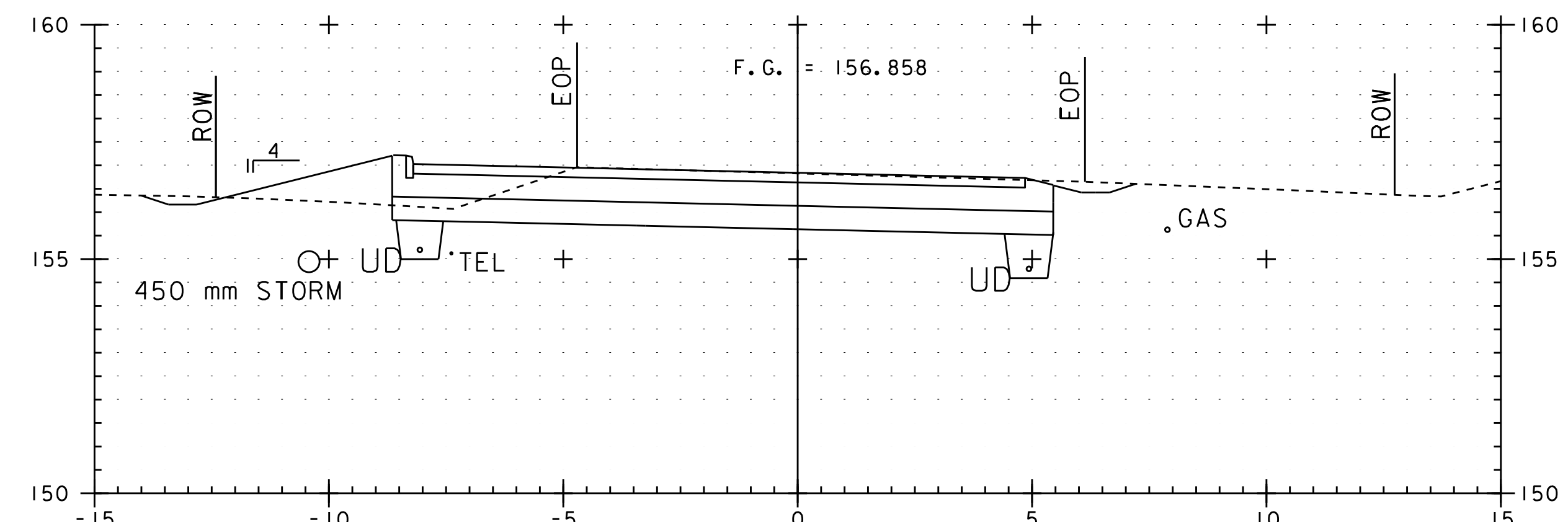
I+140



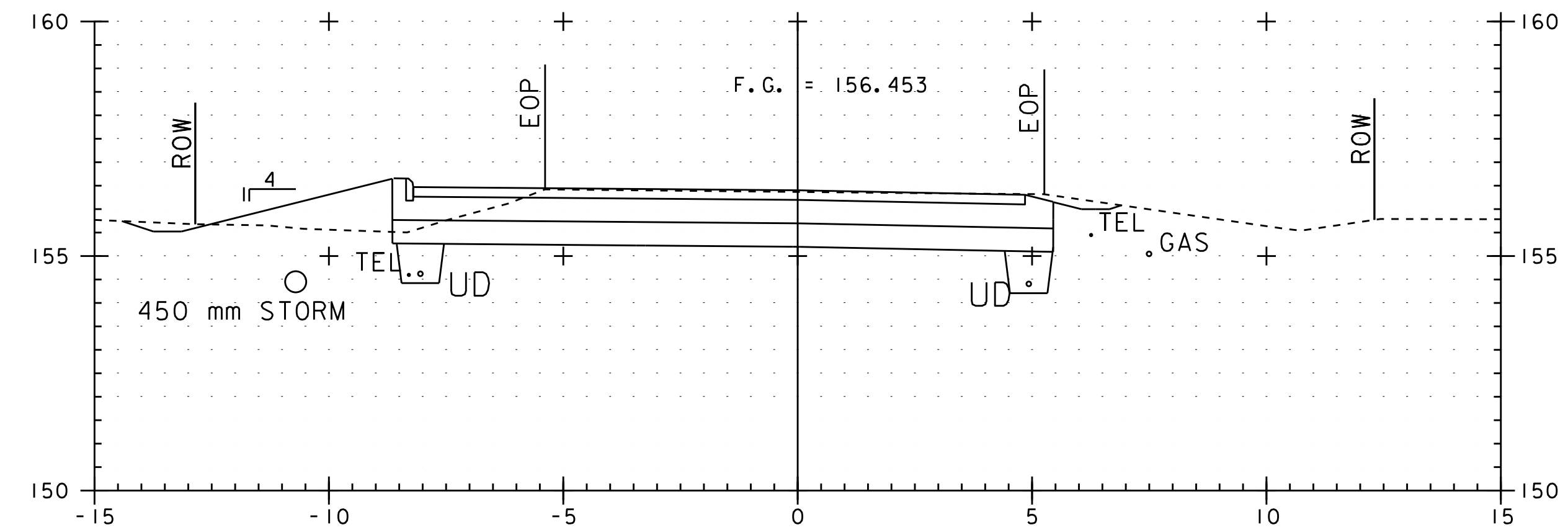
I+120



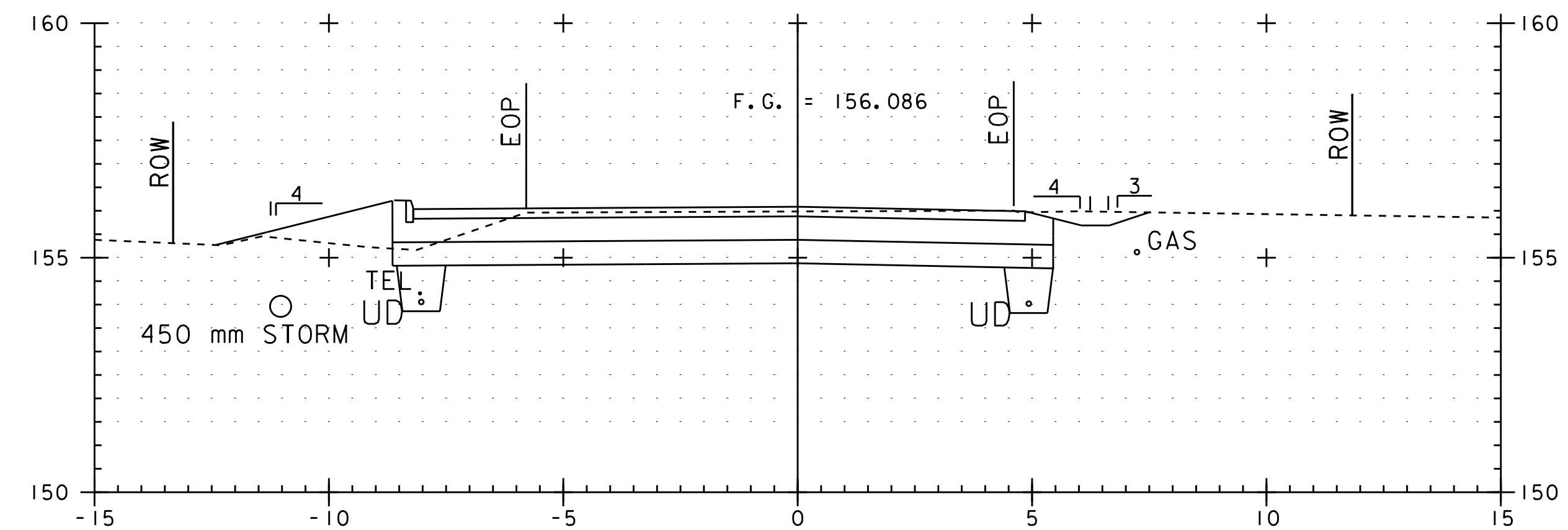
I+100



I+200



I+180

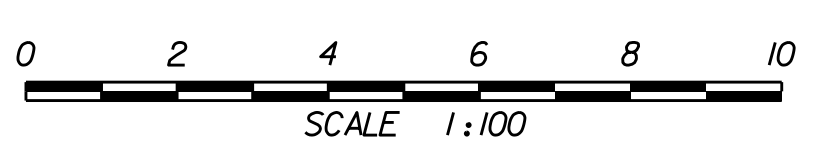


I+160

LEGEND

- FINISH GRADE
- - - - - EXISTING GROUND
- EOP EXISTING EDGE OF PAVEMENT
- ROW RIGHT OF WAY
- TEL EXISTING TELEPHONE LINE

1: 100 HORIZONTAL  
1: 100 VERTICAL



ROUTE 15  
CROSS SECTIONS

PROJECT NAME: ESSEX  
PROJECT NUMBER: STP 030-1(17)S

PLOT FILE NAME: zstp030-1(17)swrk8.dgn  
L&D PROJECT NUMBER: 00-074  
DESIGNED BY: LAMOUREUX & DICKINSON  
CONSULTING ENGINEERS, INC.  
DRAWN BY: PLC  
CHECKED BY: RJD  
SHEET 13