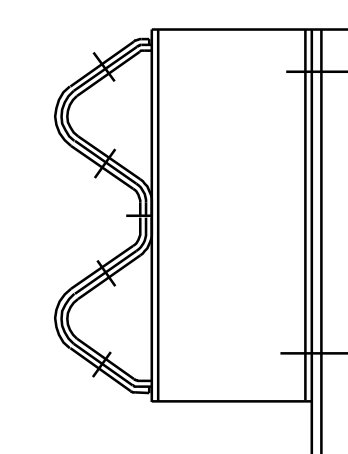


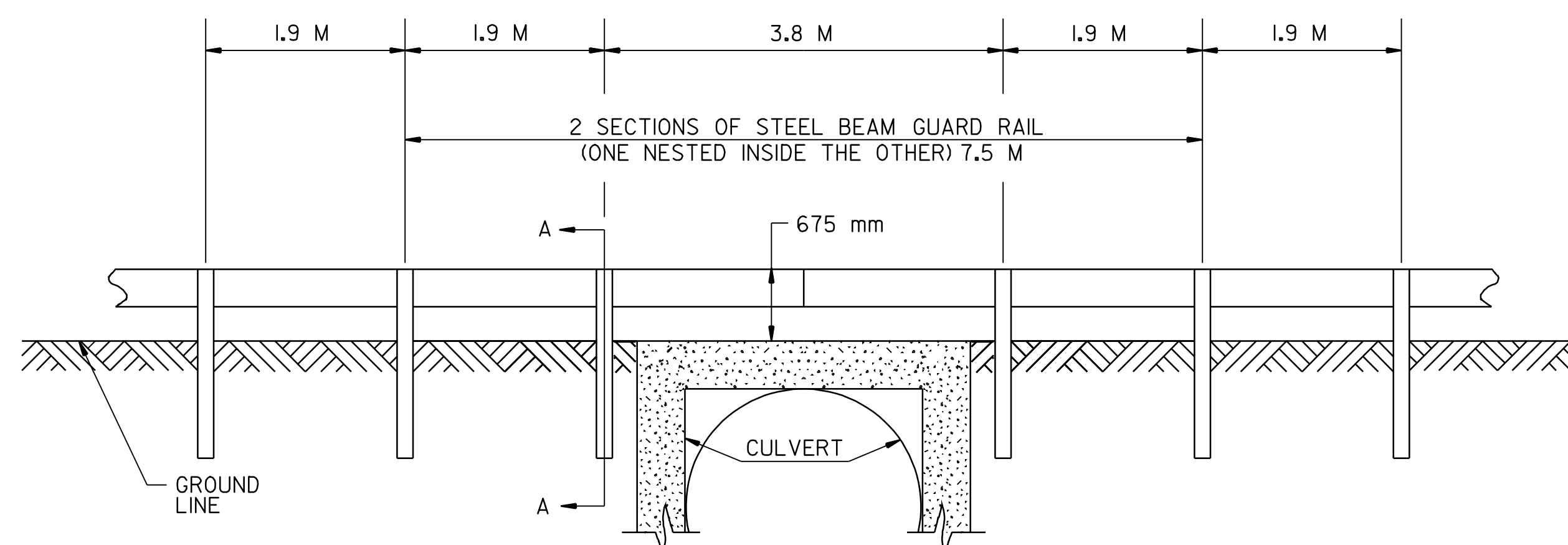
NOTES:

1. SEE VAOT STANDARDS G-1 & G-1d FOR STEEL BEAM GUARD RAIL DETAILS
2. THIS WORK SHALL BE PAID UNDER ITEM 621.21, HEAVY DUTY STEEL BEAM GUARD RAIL AT A PAY FACTOR OF 1.0.
3. THIS DETAIL TO BE USED AS INDICATED ON THE ITEM DETAIL SUMMARY SHEET OR AS DIRECTED BY THE RESIDENT ENGINEER.



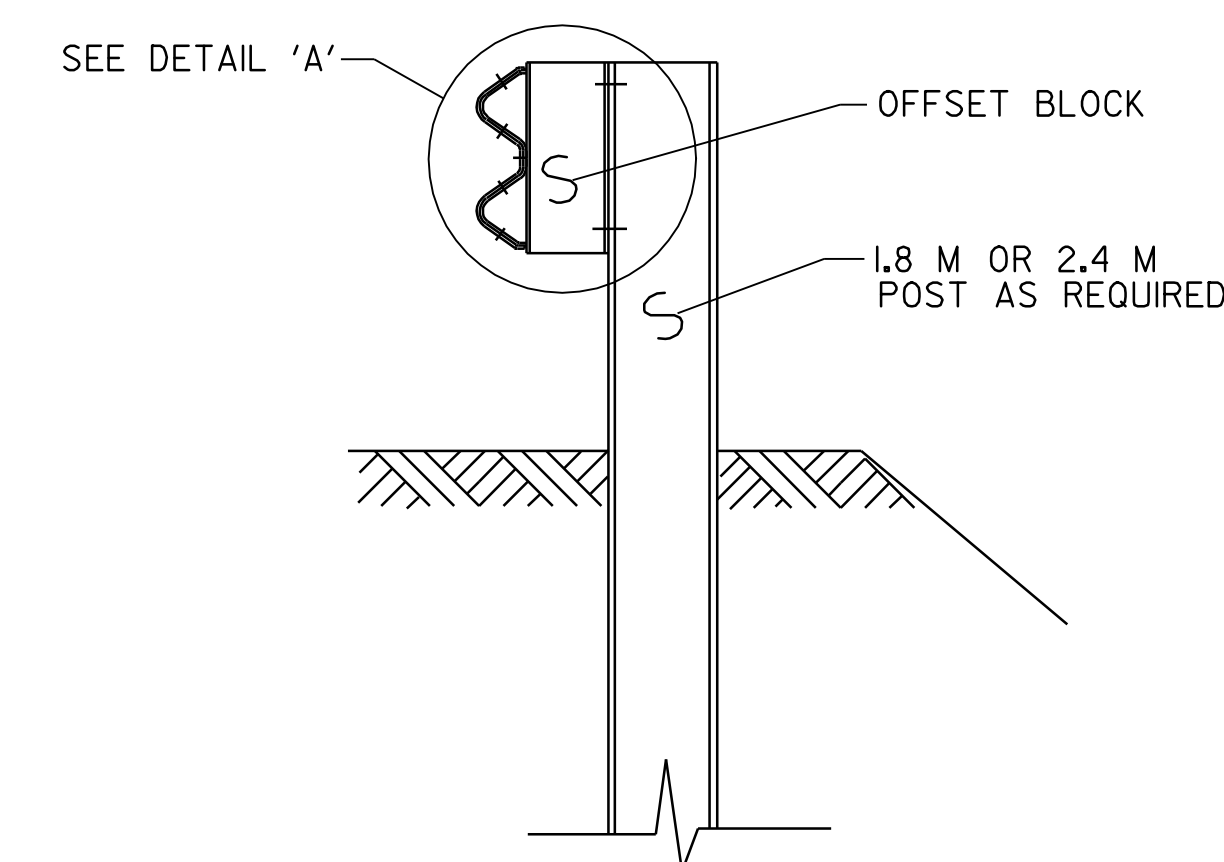
2 SECTIONS OF STEEL BEAM GUARD RAIL (ONE SECTION INSIDE THE OTHER)

DETAIL A



DETAIL OF STEEL BEAM GUARD RAIL AT LARGE CULVERTS

UNDERHILL, STA. 2+146.7, LT. & RT.
 UNDERHILL, STA. 3+456.5, LT. & RT.
 UNDERHILL, STA. 6+210.1, LT. & RT.



SECTION A-A

**ARCHIVED
IN DPR**

NOTE: ALL DIMENSIONS IN MILLIMETERS EXCEPT WHERE OTHERWISE INDICATED

DATUM	
VERTICAL	N/A
HORIZONTAL	N/A

**GUARD RAIL
DETAILS
SHEET #1**

SURVEYED BY	N/A	DATE	N/A
DESIGN BY	JLL/GAE	DATE	11/96
DRAWN BY	W-M	DATE	11/96
DESIGN FILE NO.	/pave/92b22l/pb22l.dgn		
IPARM FILE	pb22ldt5.i	DATE	PLOTTED-SEP-2009 09
PROJ. NAME	ESSEX-UNDERHILL		
PROJ. NO.	STP 9469(1)S		
SHEET	37 OF 40 SHEETS		