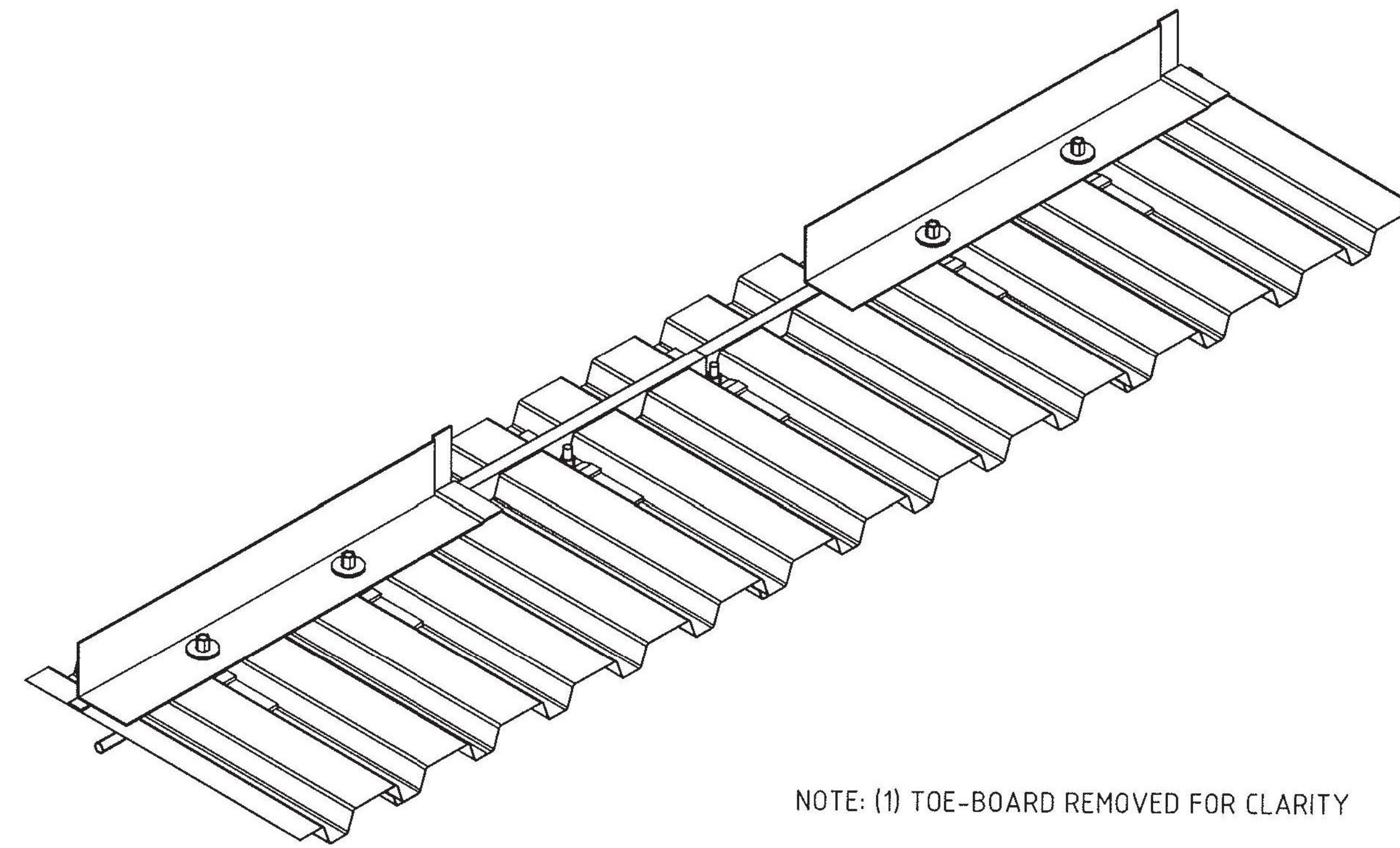


NOTE: (1) TOE-BOARD REMOVED FOR CLARITY



NOTE: (1) TOE-BOARD REMOVED FOR CLARITY

①
- PP033
- DECK SEALER

INSTALLATION PROCEDURE

- 1.) INSTALL DECK SEALER (PP033) ONTO DECK SHEET OVER THE DECK CLIP.
- 2.) PLACE APPROPRIATE TOE-BOARD ON TOP OF DECK SEALER AND DECK SHEET.
- 3.) FASTEN TOE-BOARD RETAINER ONTO DECK CLIP TIGHTENING THE DECK SEALER TO THE DECK SHEET.

NOTE: PART NUMBERS IN PARENTHESES ARE SAFESPAN INTERNAL PART NUMBERS.

SHEET 1 OF 1

SAFESPAN, INC. IS THE MANUFACTURER OF A UNIQUE PROPRIETARY AND PATENTED MULTI-SPAN PLATFORM SYSTEM. US. PATENTS #5,730,248, 5,921,346, 6,003,634, 6,135,240, 6,138,793, 6,227,331, 6,264,002, 6,302,237, 6,386,319, & 6,523,644. AUSTRALIAN PATENT #720,795. OTHER INTERNATIONAL AND US. PATENTS PENDING. ANY ATTEMPT AT SYSTEM DUPLICATION IS A VIOLATION AND IS SUBJECT TO PENALTY UNDER LAW.

REV.	DATE	BY	REVISION DESCRIPTION

SAFESPAN
"Support you can Build on™"

© COPYRIGHT 2012 SAFESPAN, INC.

DESIGNED BY: D.E.P.	CHECKED BY: A.W.T.	PHOENIX DEVELOPMENT	
DRAWN BY: D.J.L.	CHECKED BY: D.E.P.	ROUTE 2 BRIDGE OVER WINOOSKI BRIDGE	
DATE: 02-17-11	SCALE: NO SCALE	DECK SEALER INSTALLATION	
S.S. PROJECT No: 131811000	OWNERS PROJECT No: STP-RS 0284(11)	REV. :	JOB No. : 131811 DWG. No. : 719