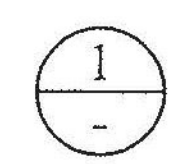
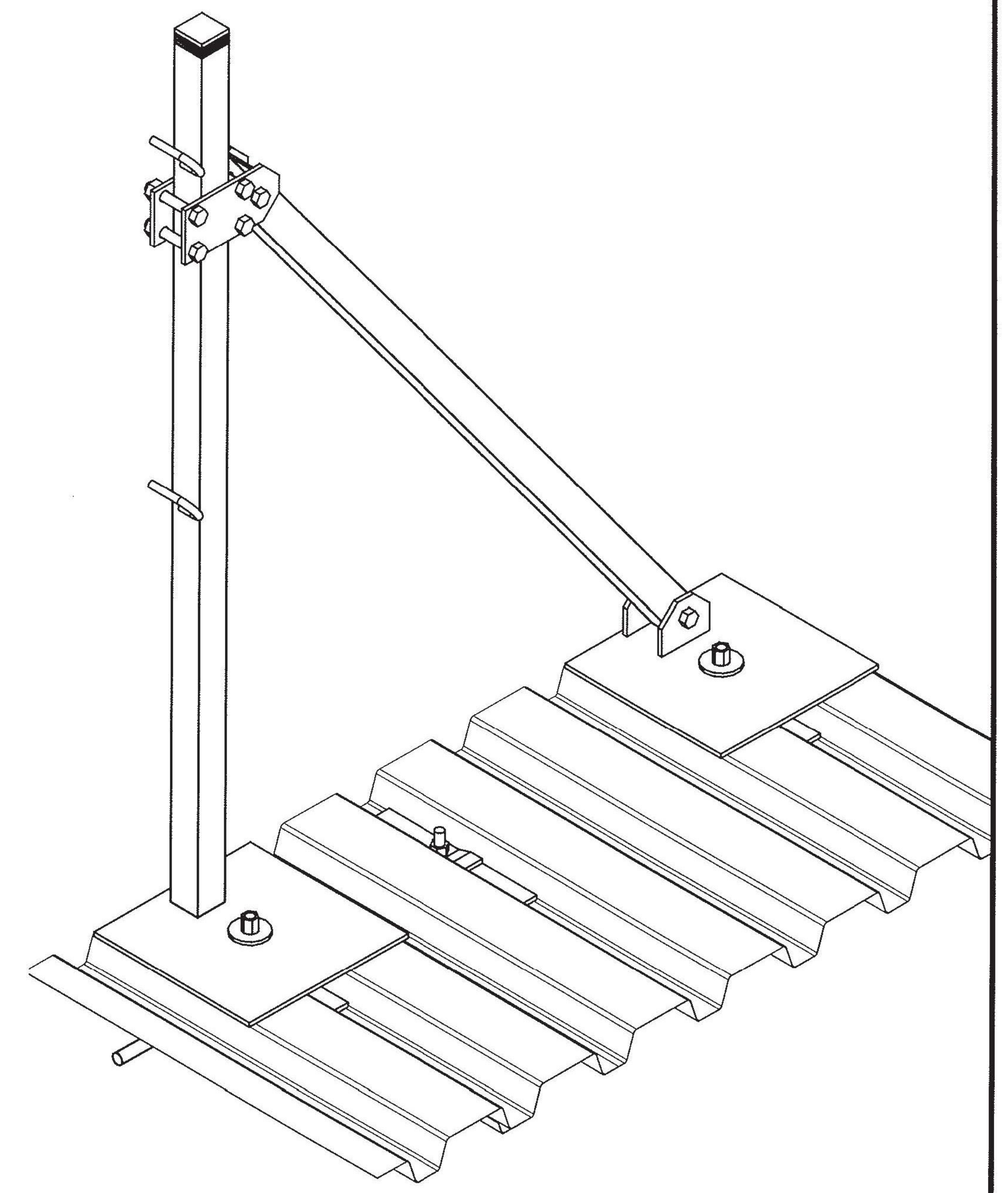


**INSTALLER NOTE :**  
 DECK CLIPS TO BE INSTALLED  
 @ PLATFORM PERIMETER  
 WITH THE HOOK SHANK TOWARD  
 THE OUTSIDE OF THE PLATFORM



**PP-CB  
 PERIMETER PROTECTION BRACE  
 INSTALLATION PROCEDURES**

- 1.) PLACE BRACE AT EDGE OF PLATFORM.
- 2.) LINE UP COUPLER NUT IN BRACE PLATE (PP-CB-P) WITH THREADED STUD OF DECK CLIP.
- 3.) ONCE LINED UP, TIGHTEN COUPLER TO DECK CLIP.



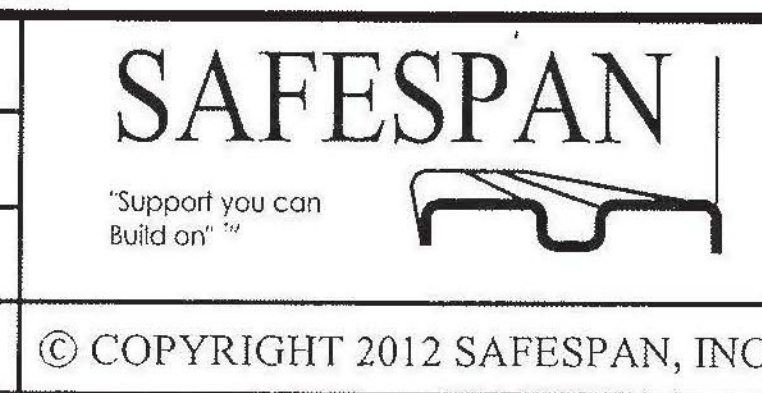
**NOTES:**

- 1.) PERIMETER PROTECTION CORNER BRACE LOCATED AT 105'-0" MAX. SPACING.
- 2.) PERIMETER PROTECTION CABLE SHALL BE TERMINATED AT PERIMETER PROTECTION CORNER BRACE LOCATIONS.
- 3.) PART NUMBERS IN PARENTHESES ARE SAFESPAN INTERNAL PART NUMBERS.

SHEET 2 OF 2

SAFESPAN, INC. IS THE MANUFACTURER OF A UNIQUE PROPRIETARY AND PATENTED MULTI-SPAN PLATFORM SYSTEM. US. PATENTS #5,730,248, 5,921,346, 6,003,634, 6,135,240, 6,138,793, 6,227,331, 6,264,002, 6,302,237, 6,386,319, & 6,523,644. AUSTRALIAN PATENT #720,795. OTHER INTERNATIONAL AND US. PATENTS PENDING. ANY ATTEMPT AT SYSTEM DUPLICATION IS A VIOLATION AND IS SUBJECT TO PENALTY UNDER LAW.

REV.	DATE	BY	REVISION DESCRIPTION



DESIGNED BY: D.E.P.	CHECKED BY: A.W.T.	PHOENIX DEVELOPMENT	
DRAWN BY: D.J.L.	CHECKED BY: D.E.P.	ROUTE 2 BRIDGE OVER WINOOSKI BRIDGE	
DATE: 02-17-11	SCALE: NO SCALE	PERIMETER PROTECTION INSTALLATION	
© COPYRIGHT 2012 SAFESPAN, INC.	S.S. PROJECT No: 131811000	OWNERS PROJECT No: STP-RS 0284(11)	REV. :      JOB No. : 131811      DWG. No. : 718