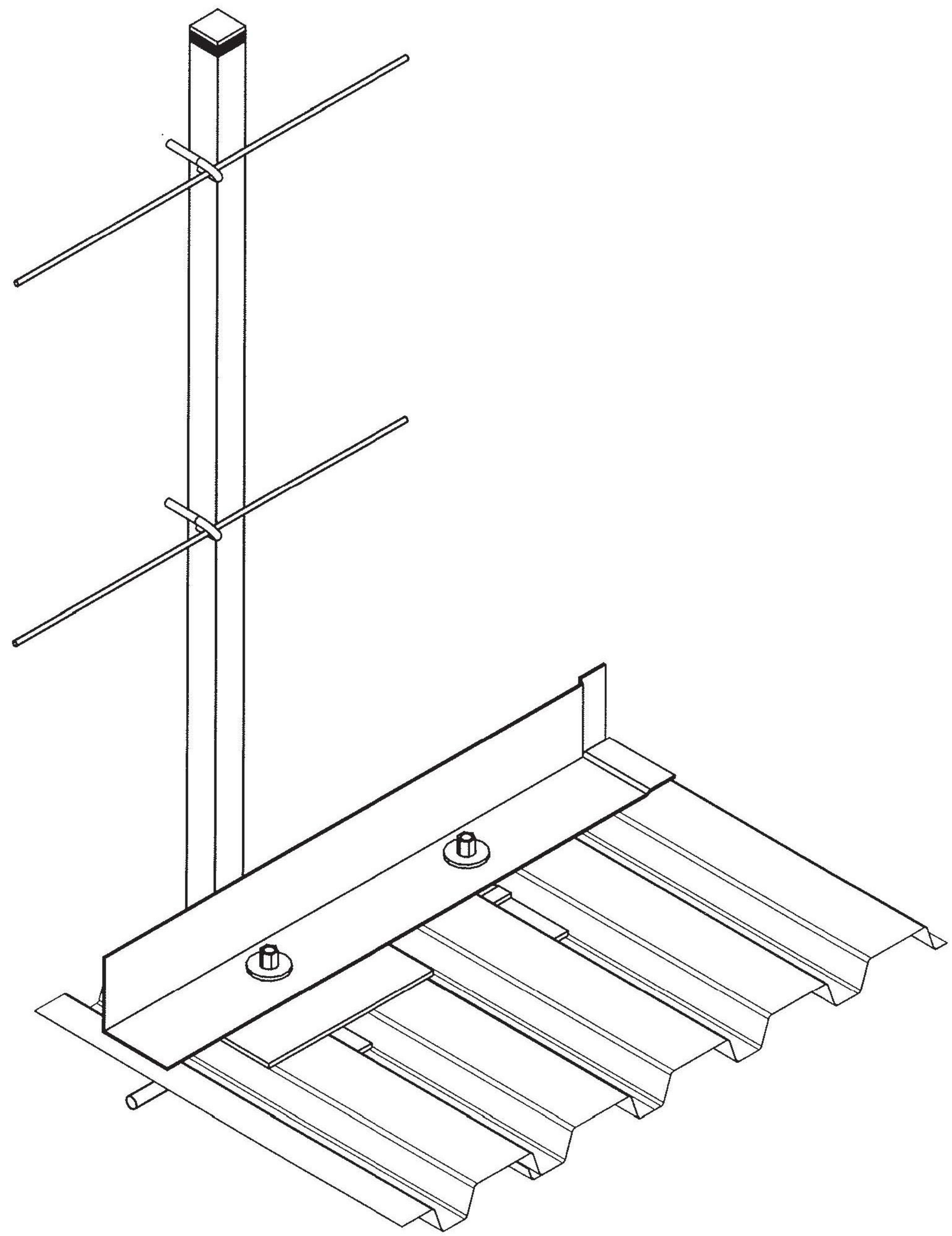


**INSTALLER NOTE :**  
 DECK CLIPS TO BE INSTALLED  
 @ PLATFORM PERIMETER  
 WITH THE HOOK SHANK TOWARD  
 THE OUTSIDE OF THE PLATFORM

**1**  
**PP-P**  
**PERIMETER PROTECTION POST**

**INSTALLATION PROCEDURES**

- 1.) PLACE POST (PP-P) ON OUTSIDE EDGE OF PLATFORM.
- 2.) ALIGN HOLE IN THE BASE PLATE WITH THREADED STUD OF THE DECK CLIP.
- 3.) ALIGN HOLE IN THE TOE BOARD WITH THE HOLE IN THE BASE PLATE AND WITH THREADED STUD OF THE DECK CLIP.
- 4.) INSTALL THE TOE-BOARD RETAINER THROUGH THE HOLE IN THE TOE BOARD AND BASE PLATE AND TIGHTEN ONTO THE THREADED STUD OF THE DECK CLIP.

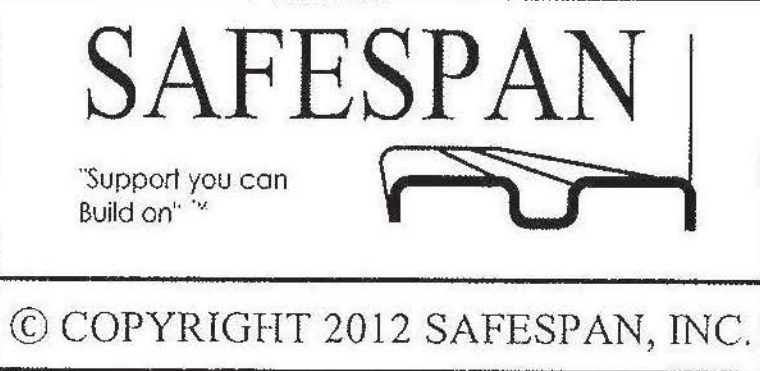


- NOTES:**
- 1.) PERIMETER PROTECTION POST LOCATED AT 7'-6" MAX. SPACING.
  - 2.) PART NUMBERS IN PARENTHESES ARE SAFESPAN INTERNAL PART NUMBERS.

XX DENOTES LENGTH SHEET 1 OF 2

SAFESPAN, INC. IS THE MANUFACTURER OF A UNIQUE PROPRIETARY AND PATENTED MULTI-SPAN PLATFORM SYSTEM. US. PATENTS #5,730,248, 5,921,346, 6,003,634, 6,135,240, 6,138,793, 6,227,331, 6,264,002, 6,302,237, 6,386,319, & 6,523,644. AUSTRALIAN PATENT #720,795. OTHER INTERNATIONAL AND US. PATENTS PENDING. ANY ATTEMPT AT SYSTEM DUPLICATION IS A VIOLATION AND IS SUBJECT TO PENALTY UNDER LAW.

REV.	DATE	BY	REVISION DESCRIPTION



DESIGNED BY: D.E.P.	CHECKED BY: A.W.T.	PHOENIX DEVELOPMENT	
DRAWN BY: D.J.L.	CHECKED BY: D.E.P.	ROUTE 2 BRIDGE OVER WINOOSKI BRIDGE	
DATE: 02-17-11	SCALE: NO SCALE	PERIMETER PROTECTION INSTALLATION	
S.S. PROJECT No: 1318111000	OWNERS PROJECT No: STP-RS 0284(11)	REV. :	JOB No. : 131811 DWG. No. : 718