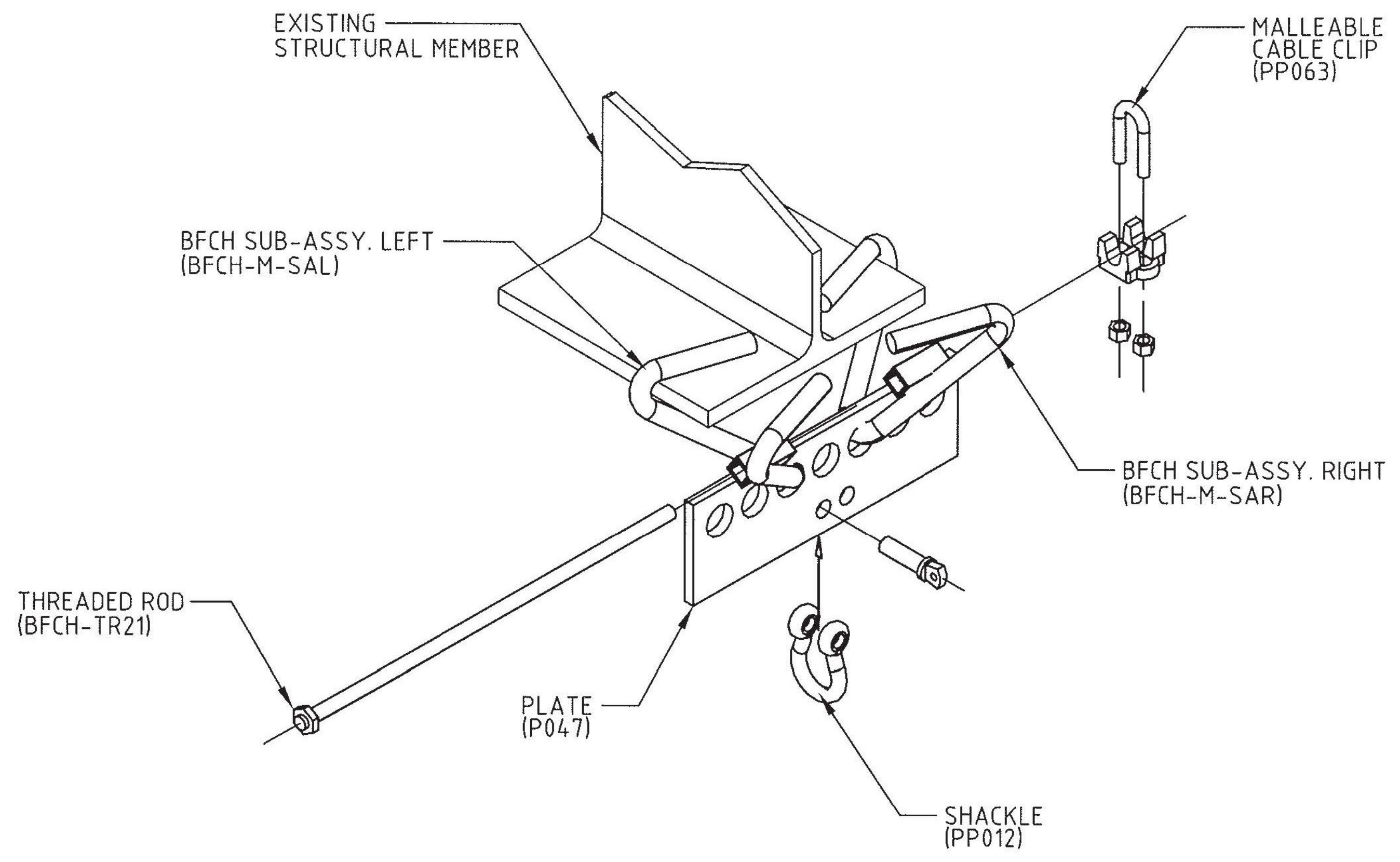
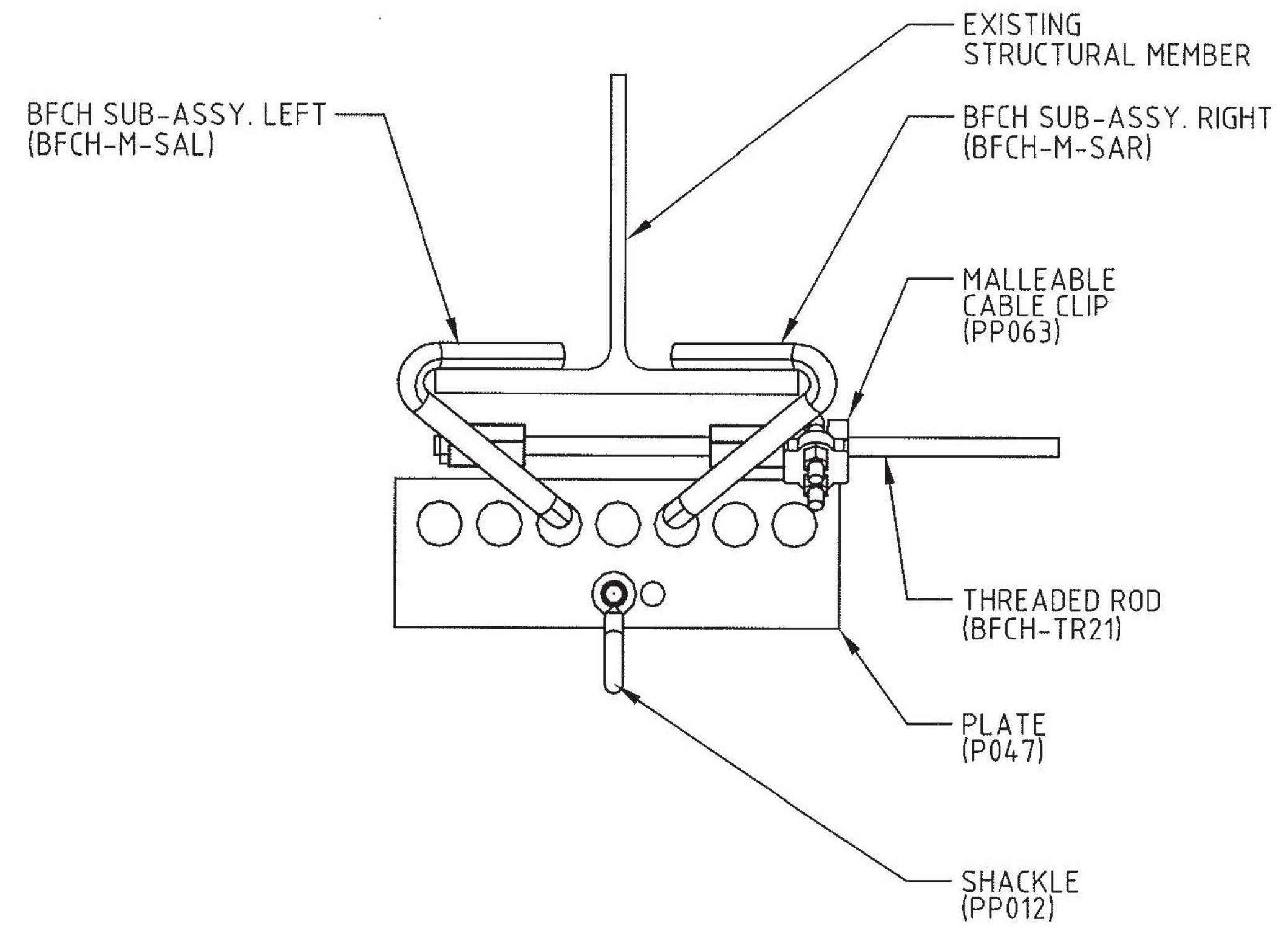


Z:\PROJECT\2011-Jobs\131811-Route 2 Bridge over Wooski River\Drawings\DWG Package\Revision\_03-29-12\715-BFCH-MP-TR21.dwg



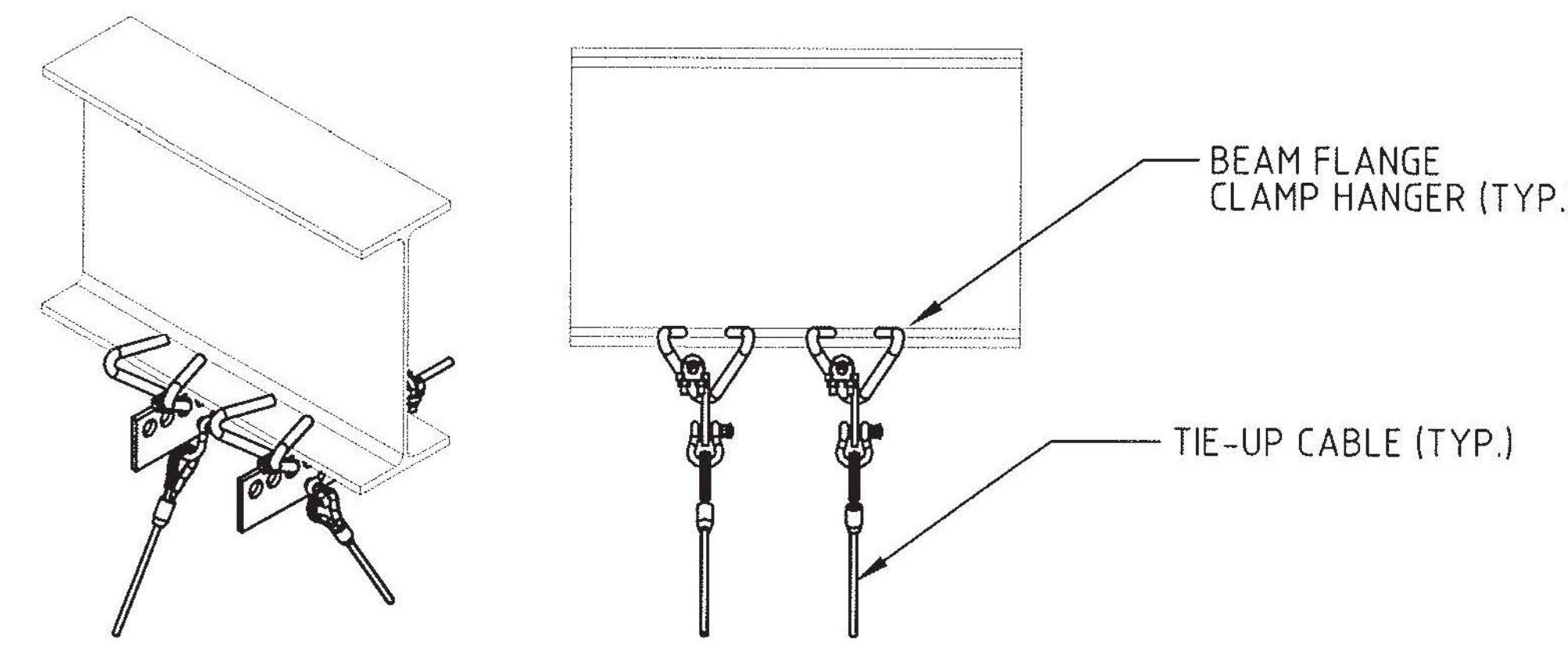
**1**  
-  
**BFCH-MP-TR21**  
**BEAM FLANGE CLAMP HANGER MEDIUM W/PLATE AND THREADED ROD 21" Lg.**

**INSTALLATION PROCEDURES**

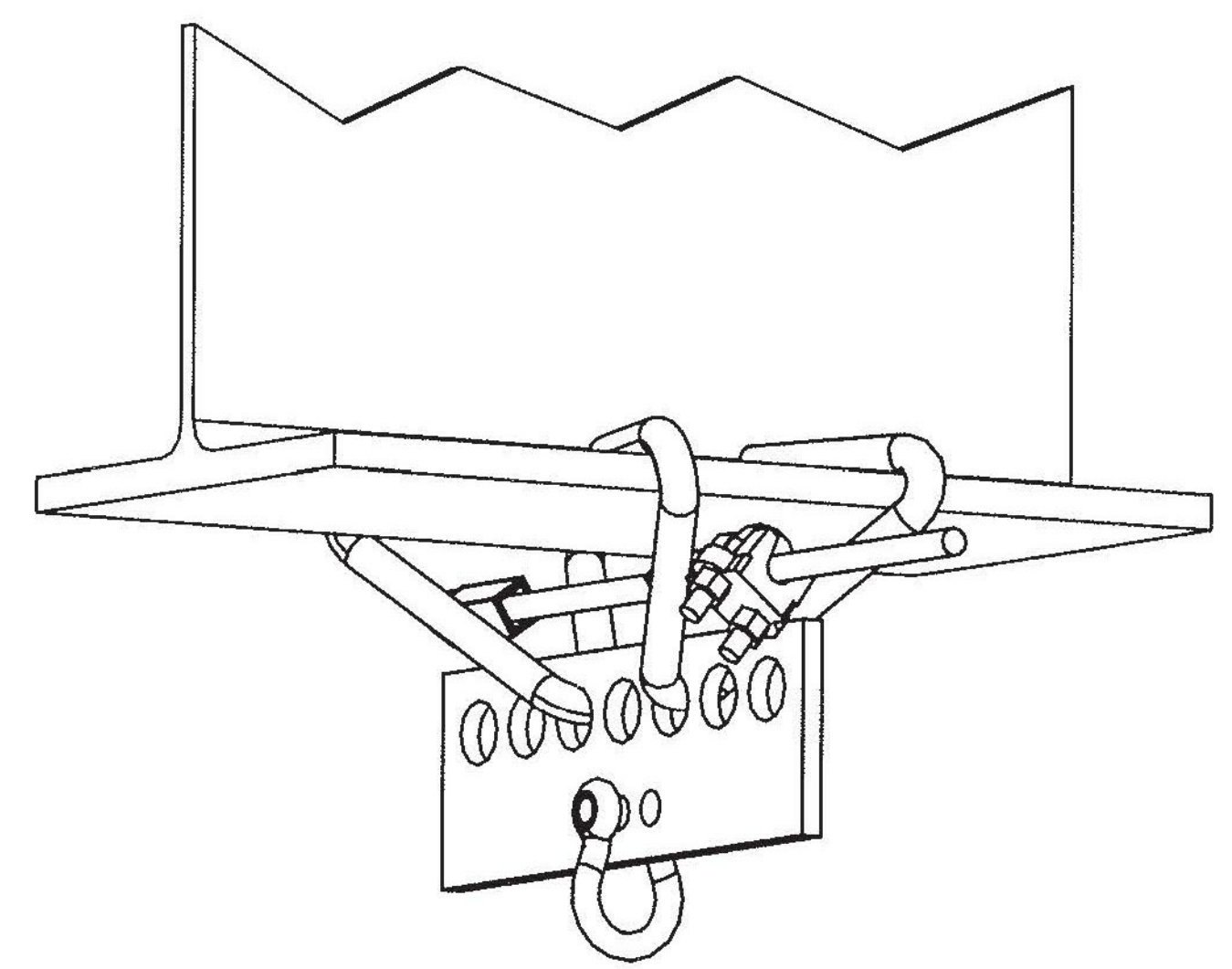
- 1.) INSTALL THE LEFT & RIGHT SUB-ASSY'S. INTO HOLES OF THE ADJUSTMENT PLATE.
- 2.) INSTALL THE LEFT AND RIGHT SUB-ASSY. ONTO FLANGE OF EXISTING STRUCTURAL MEMBER.
- 3.) INSERT THE THREADED ROD ASSY. THROUGH THE SQUARE TUBE OF THE LEFT AND RIGHT SUB-ASSY'S AND INSTALL THE MALLEABLE CABLE CLIP. SLIDE MALLEABLE CABLE CLIP DOWN THE THREADED ROD ASSY. UNTIL IT COMES IN CONTACT WITH SQUARE TUBE.
- 4.) INSTALL THE SHACKLE INTO APPROPRIATE HOLE OF THE ADJUSTMENT PLATE.

**NOTES:**

- 1.) ENSURE BEAM FLANGE CLAMP HANGER IS INSTALLED SECURELY ON THE EXISTING BEAM.



**MULTIPLE BEAM FLANGE CLAMP HANGER INSTALLATION**  
NOTE: ONLY ONE TIE-UP CABLE SHALL BE INSTALLED ON ANY GIVEN BEAM FLANGE CLAMP HANGER. UNLESS SPECIFICALLY CALLED OUT



NOTE: PART NUMBERS IN PARENTHESES ARE SAFESPAN INTERNAL PART NUMBERS.

SHEET 1 OF 1

SAFESPAN, INC. IS THE MANUFACTURER OF A UNIQUE PROPRIETARY AND PATENTED MULTI-SPAN PLATFORM SYSTEM. US. PATENTS #5,730,248, 5,921,346, 6,003,634, 6,135,240, 6,138,793, 6,227,331, 6,264,002, 6,302,237, 6,386,319, & 6,523,644. AUSTRALIAN PATENT #720,795. OTHER INTERNATIONAL AND US. PATENTS PENDING. ANY ATTEMPT AT SYSTEM DUPLICATION IS A VIOLATION AND IS SUBJECT TO PENALTY UNDER LAW.	REV.	DATE	BY	REVISION DESCRIPTION		DESIGNED BY: D.E.P.	CHECKED BY: A.W.T.	PHOENIX DEVELOPMENT		
						DRAWN BY: D.J.L.	CHECKED BY: D.E.P.	ROUTE 2 BRIDGE OVER WINOOSKI BRIDGE		
						DATE: 02-17-11	SCALE: NO SCALE	BEAM FLANGE CLAMP HANGER INSTALLATION		
						© COPYRIGHT 2012 SAFESPAN, INC.	S.S. PROJECT No: 1318111000	OWNERS PROJECT No: STP-RS 0284(11)	REV. :	JOB No. : 131811