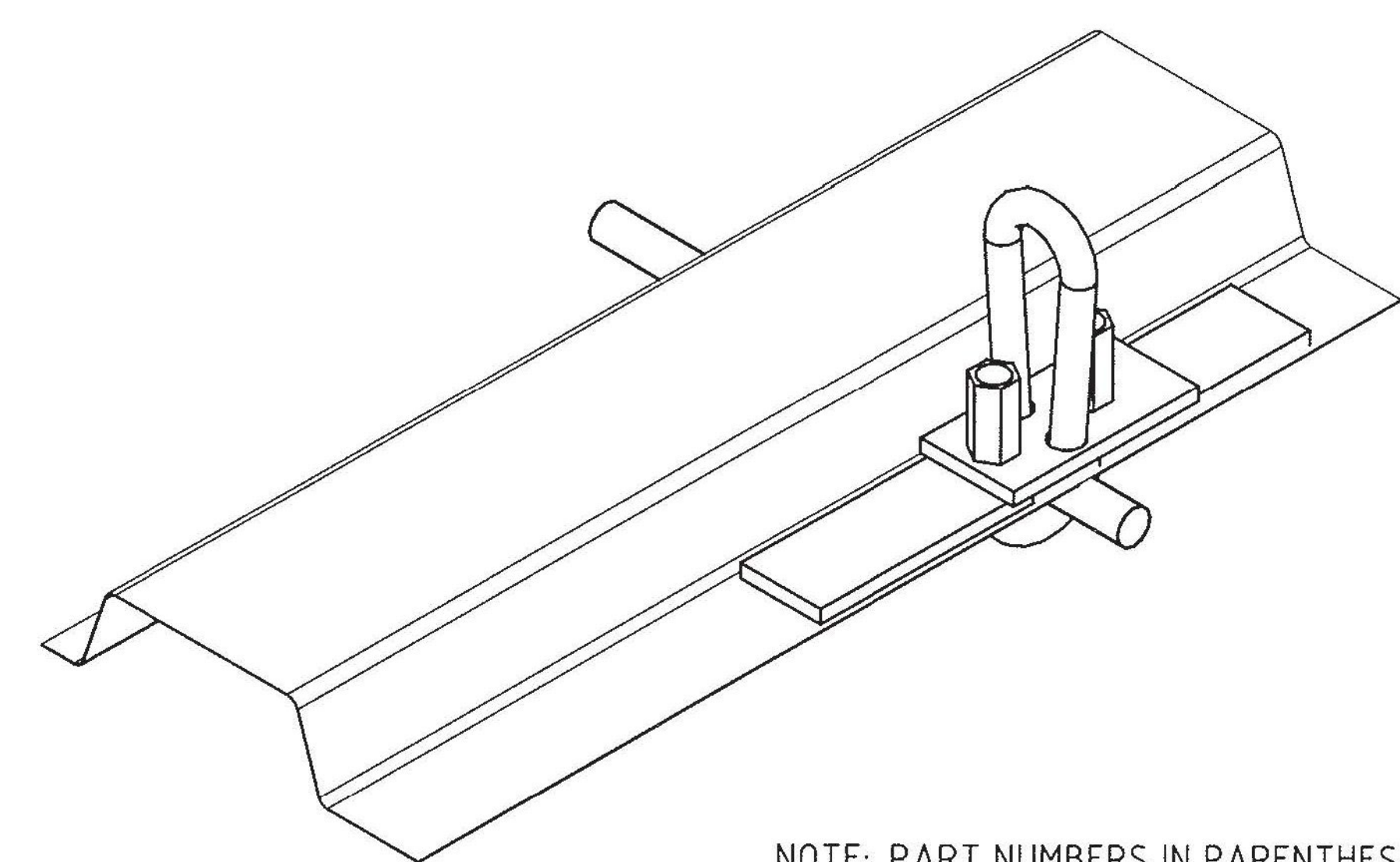
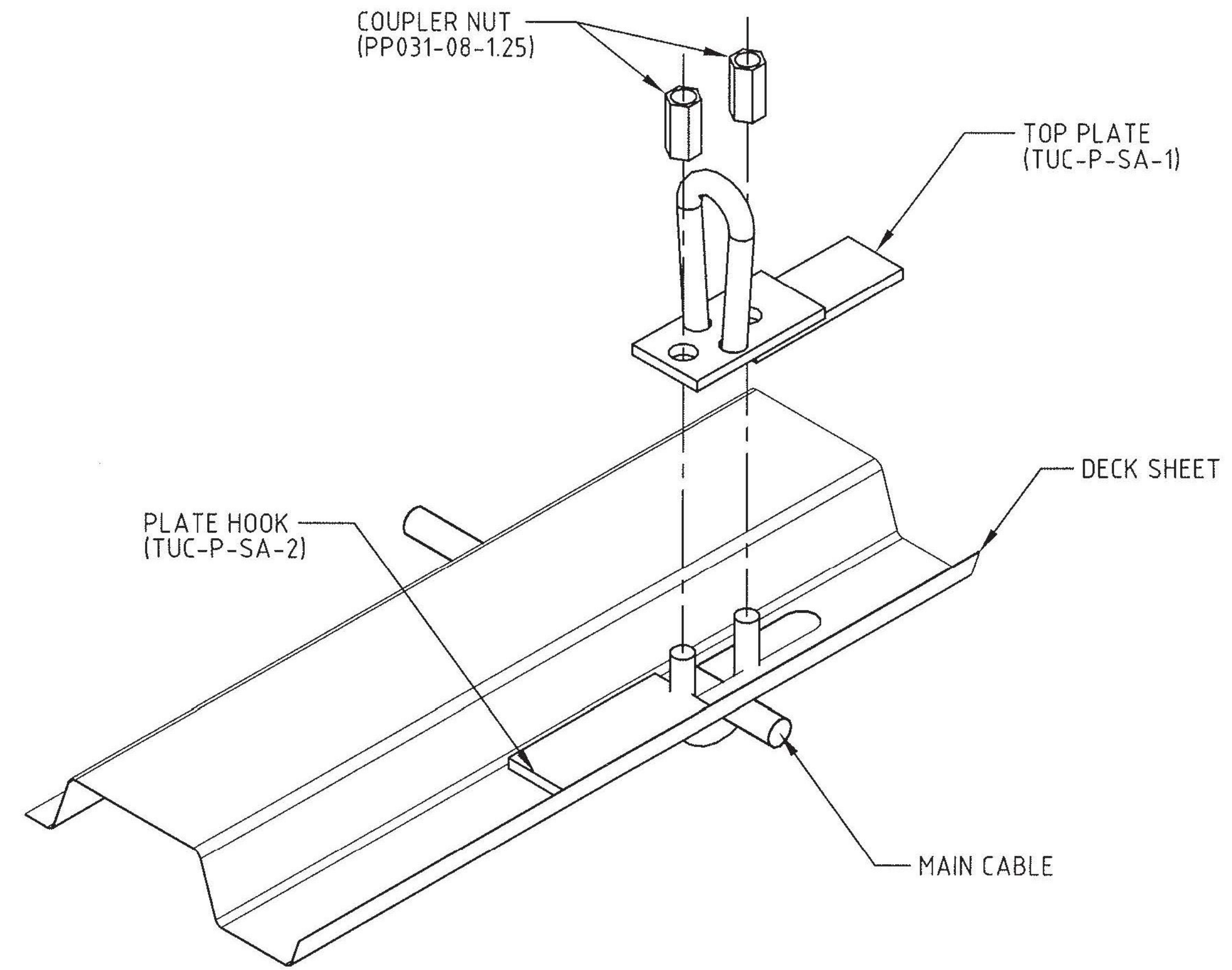
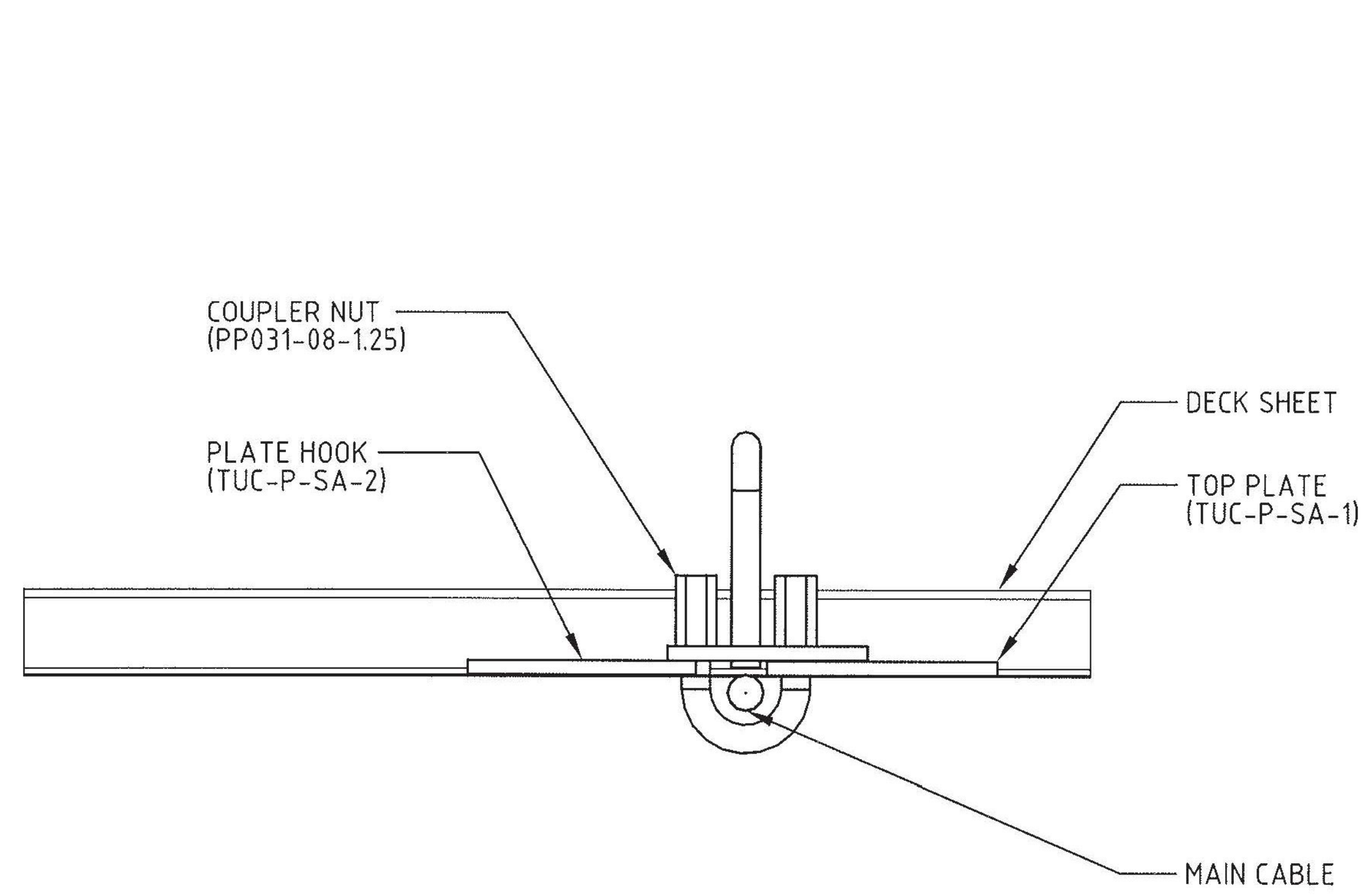


Z:\PROJECT\2011-Jobs\131811-Route 2 Bridge over Wooski River\Drawings\DWG Package\Revision\_03-29-12\714-TUC-P1.dwg



**1**  
-  
**TUC-P  
TIE-UP CLIP  
INSTALLATION PROCEDURE**

- 1.) INSERT PLATE HOOK (TUC-P-SA-2) THROUGH SLOT IN DECK SHEET, AND HOOK MAIN CABLE. FLAT PART OF PLATE HOOK SHOULD BE RESTING ON THE TOP SURFACE OF THE DECK IN THE VALLEY OF THE CORRUGATIONS.
- 2.) INSTALL TOP PLATE (TUC-P-SA-1) OVER THE THREADED U-BOLT OF THE PLATE HOOK.
- 3.) INSTALL COUPLING NUT (PP031-08-1.25) ONTO THREADED U-BOLT OF THE PLATE HOOK AND TIGHTEN.

NOTE: PART NUMBERS IN PARENTHESES ARE SAFESPAN INTERNAL PART NUMBERS.

SHEET 1 OF 1

SAFESPAN, INC. IS THE MANUFACTURER OF A UNIQUE PROPRIETARY AND PATENTED MULTI-SPAN PLATFORM SYSTEM. U.S. PATENTS #5,730,248, 5,921,346, 6,003,634, 6,135,240, 6,138,793, 6,227,331, 6,264,002, 6,302,237, 6,386,319, & 6,523,644. AUSTRALIAN PATENT #720,795. OTHER INTERNATIONAL AND U.S. PATENTS PENDING. ANY ATTEMPT AT SYSTEM DUPLICATION IS A VIOLATION AND IS SUBJECT TO PENALTY UNDER LAW.

| REV. | DATE | BY | REVISION DESCRIPTION |
|------|------|----|----------------------|
|      |      |    |                      |
|      |      |    |                      |
|      |      |    |                      |

**SAFESPAN**  
"Support you can Build on"  
© COPYRIGHT 2012 SAFESPAN, INC.

|                             |                                    |                                     |                  |                |
|-----------------------------|------------------------------------|-------------------------------------|------------------|----------------|
| DESIGNED BY: D.E.P.         | CHECKED BY: A.W.T.                 | PHOENIX DEVELOPMENT                 |                  |                |
| DRAWN BY: D.J.L.            | CHECKED BY: D.E.P.                 | ROUTE 2 BRIDGE OVER WINOOSKI BRIDGE |                  |                |
| DATE: 02-17-11              | SCALE: NO SCALE                    | TIE-UP CLIP INSTALLATION            |                  |                |
| S.S. PROJECT No: 1318111000 | OWNERS PROJECT No: STP-RS 0284(11) | REV. :                              | JOB No. : 131811 | DWG. No. : 714 |