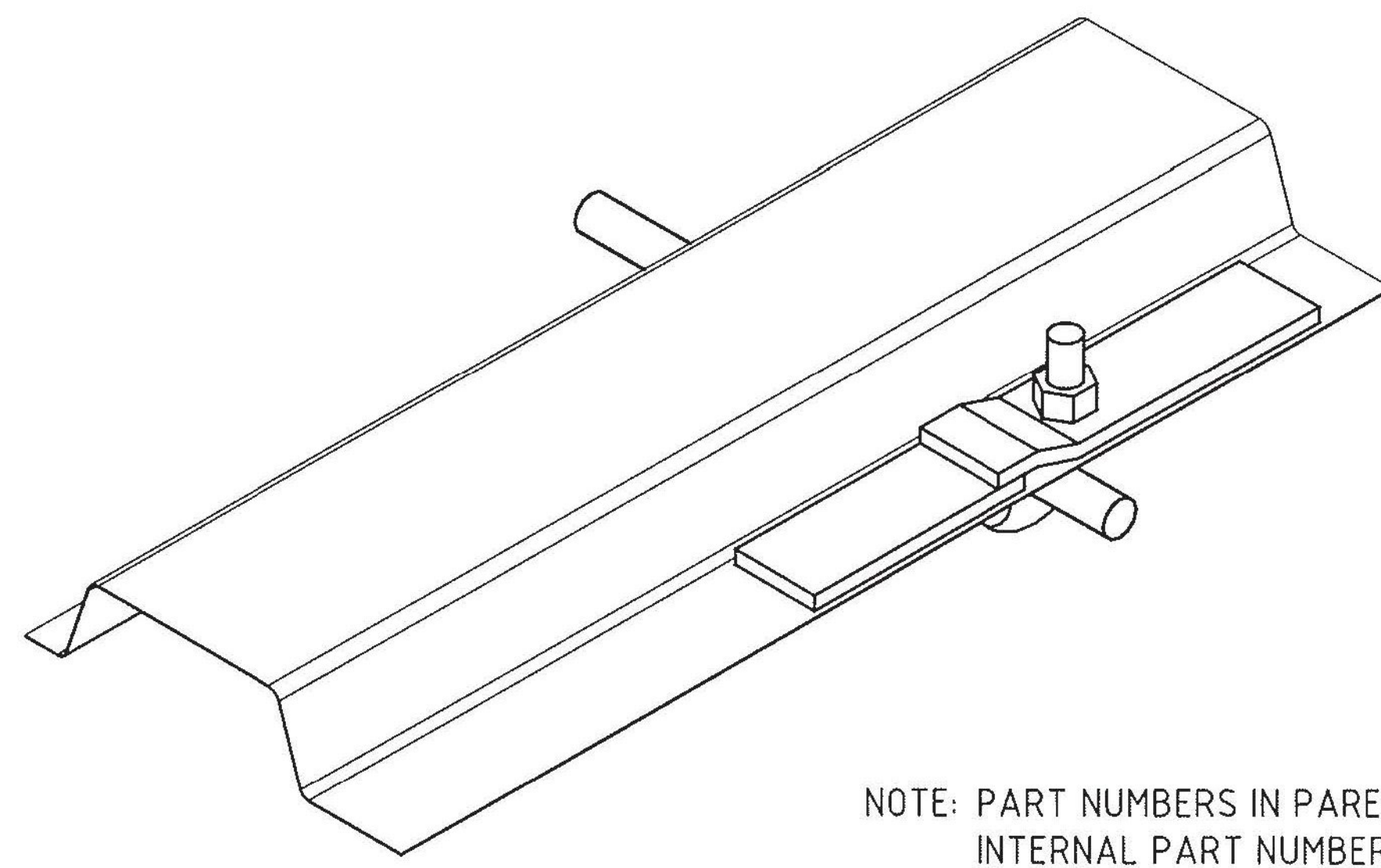
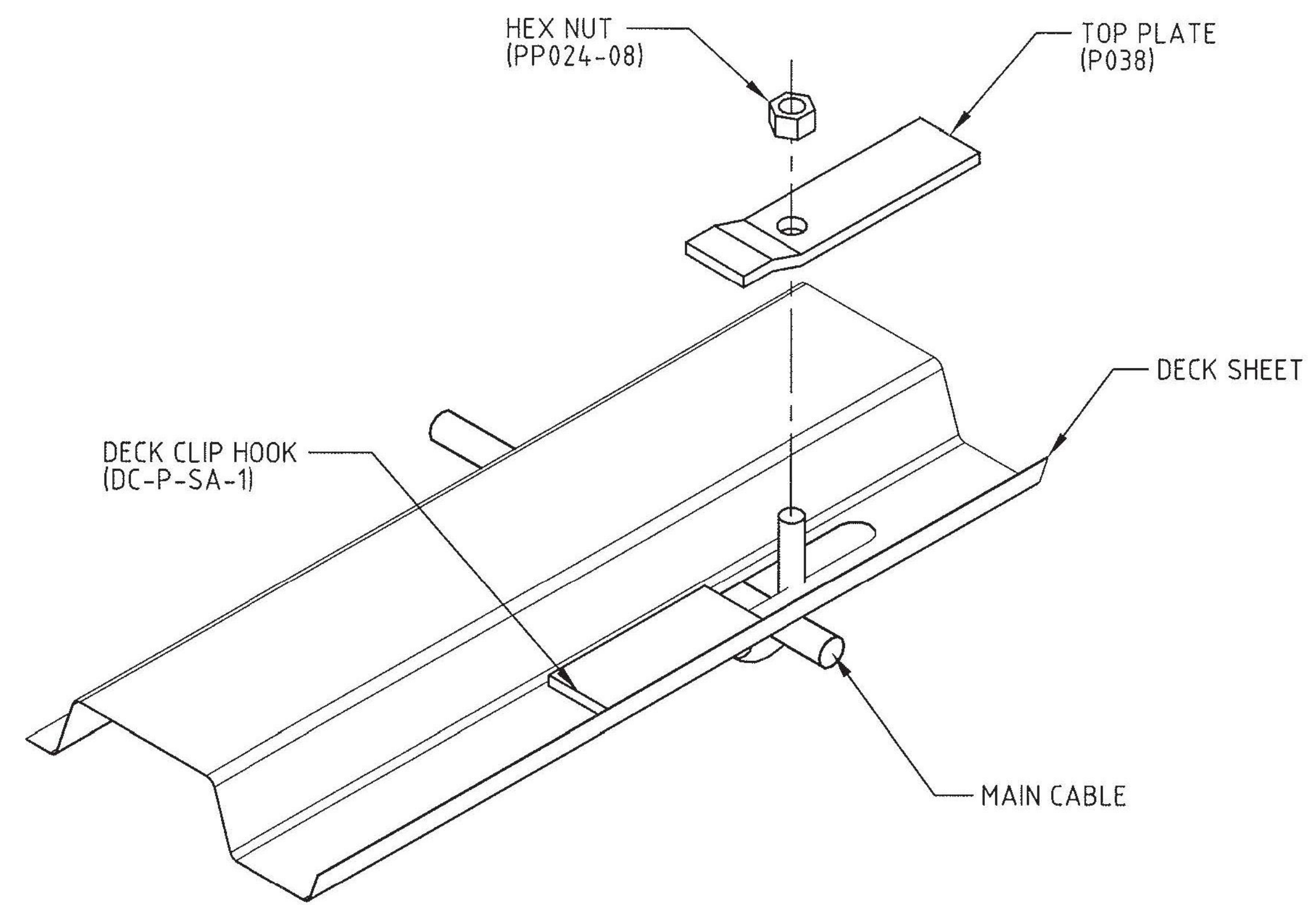
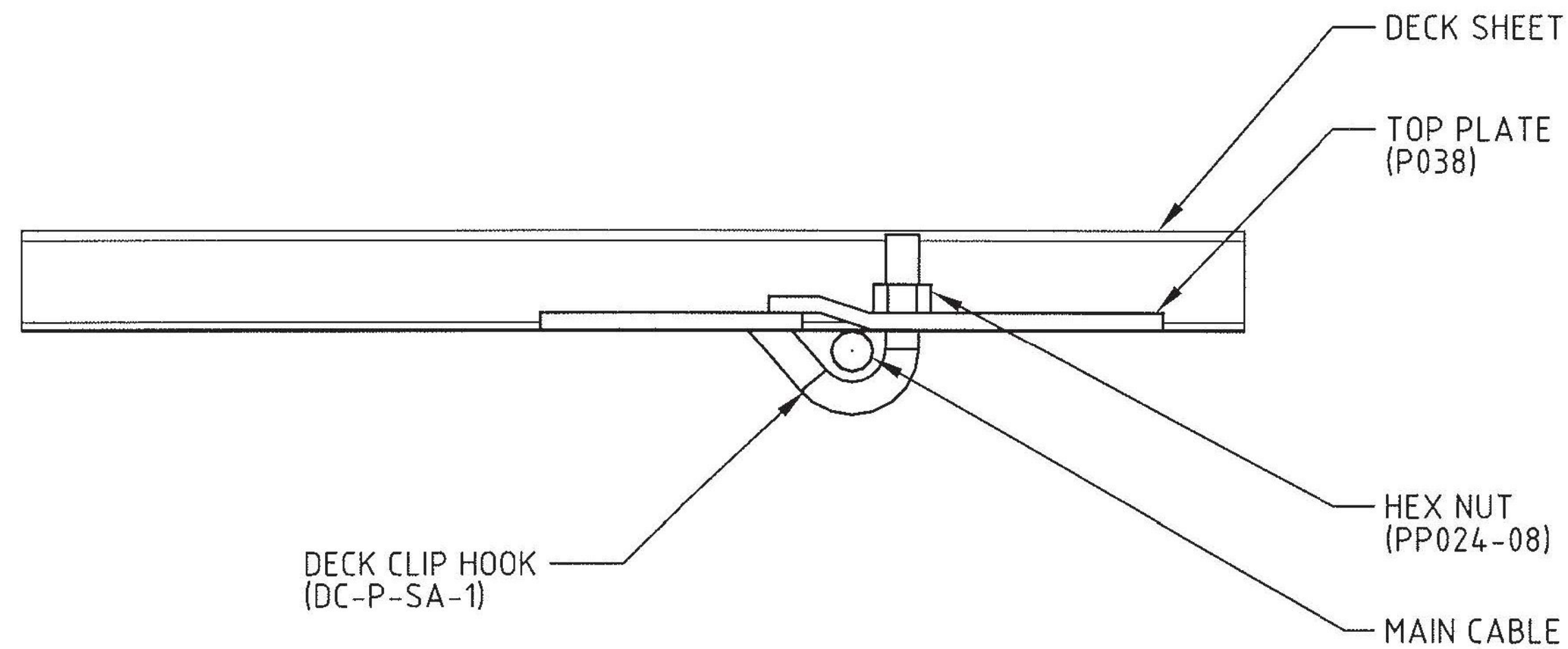


Z:\PROJECT\2011-Jobs\131811-Route 2 Bridge over Wooski River\Drawings\DWG Package\Revision_03-29-12\713-DC-P1.dwg



**DC-P
DECK CLIP**
INSTALLATION PROCEDURE

- 1.) INSERT DECK CLIP HOOK (DC-P-SA-1) THROUGH SLOT IN DECK SHEET (TOP SIDE), AND HOOK MAIN CABLE. FLAT PART OF DECK CLIP HOOK SHOULD BE RESTING ON THE TOP SURFACE OF THE DECK IN THE VALLEY OF THE CORRUGATIONS.
- 2.) INSTALL THE TOP PLATE (P038) OVER T.HREADED STUD OF DECK CLIP HOOK.
- 3.) INSTALL HEX NUT (PP024-08) ONTO THREADED STUD OF THE DECK CLIP HOOK AND TIGHTEN.

NOTE: PART NUMBERS IN PARENTHESES ARE SAFESPAN INTERNAL PART NUMBERS.

SHEET 1 OF 1

SAFESPAN, INC. IS THE MANUFACTURER OF A UNIQUE PROPRIETARY AND PATENTED MULTI-SPAN PLATFORM SYSTEM. US. PATENTS #5,730,248, 5,921,346, 6,003,634, 6,135,240, 6,138,793, 6,227,331, 6,264,002, 6,302,237, 6,386,319, & 6,523,644. AUSTRALIAN PATENT #720,795. OTHER INTERNATIONAL AND US. PATENTS PENDING. ANY ATTEMPT AT SYSTEM DUPLICATION IS A VIOLATION AND IS SUBJECT TO PENALTY UNDER LAW.	REV.	DATE	BY	REVISION DESCRIPTION		DESIGNED BY: D.E.P.	CHECKED BY: A.W.T.	PHOENIX DEVELOPMENT		
						DRAWN BY: D.J.L.	CHECKED BY: D.E.P.	ROUTE 2 BRIDGE OVER WINOOSKI BRIDGE		
						DATE: 02-17-11	SCALE: NO SCALE	DECK CLIP INSTALLATION		
						© COPYRIGHT 2012 SAFESPAN, INC.	S.S. PROJECT No: 1318111000	OWNERS PROJECT No: STP-RS 0284(11)	REV. :	JOB No. : 131811