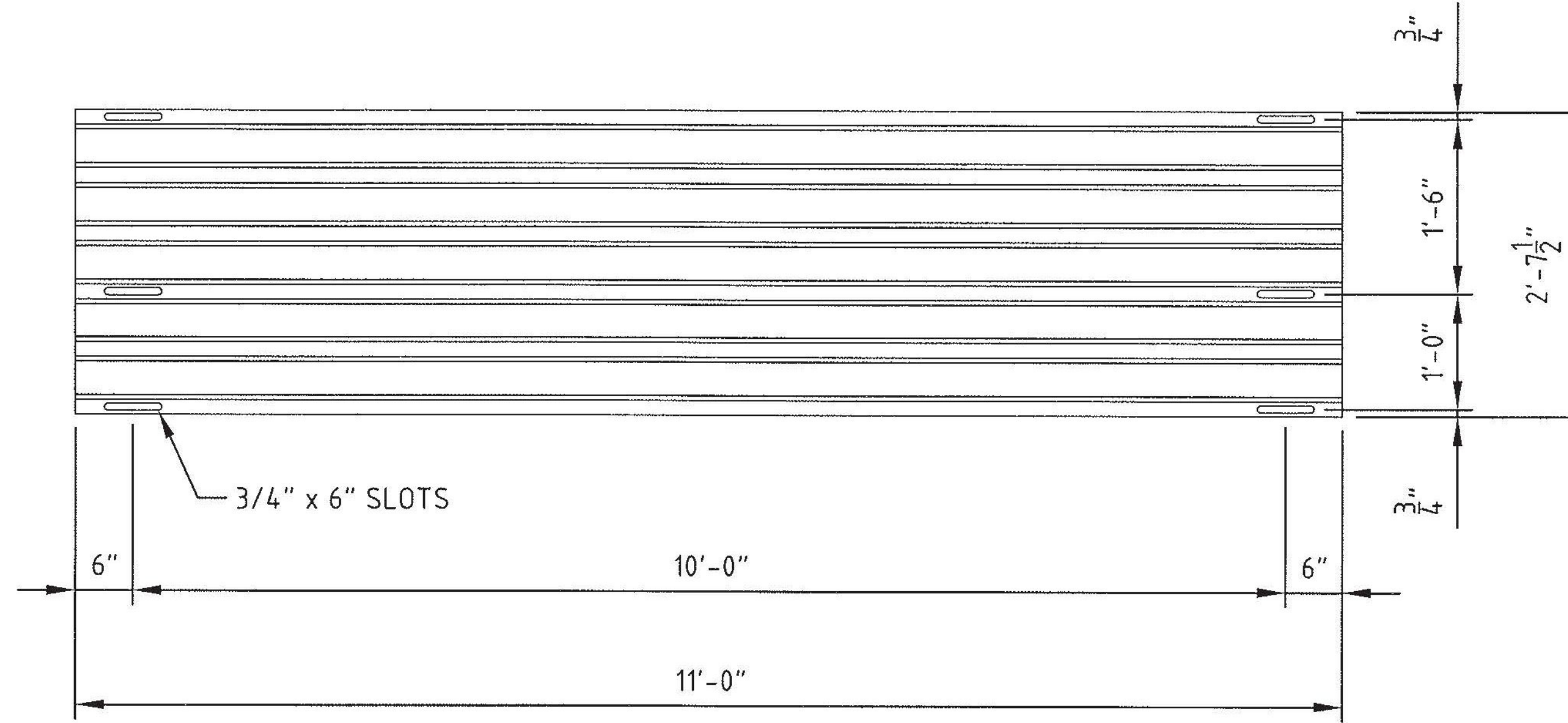
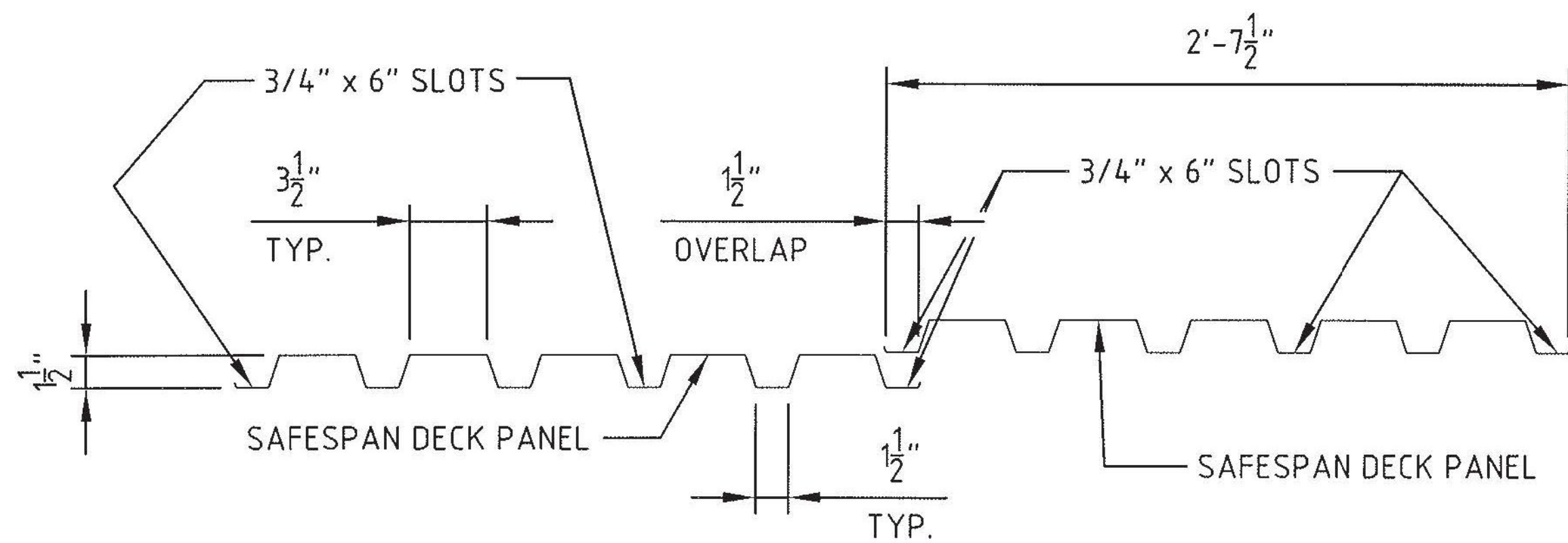


1 DS-20N-G-60
DECK SHEET 20 GAUGE NARROW
GALVANIZED 60" SPACING



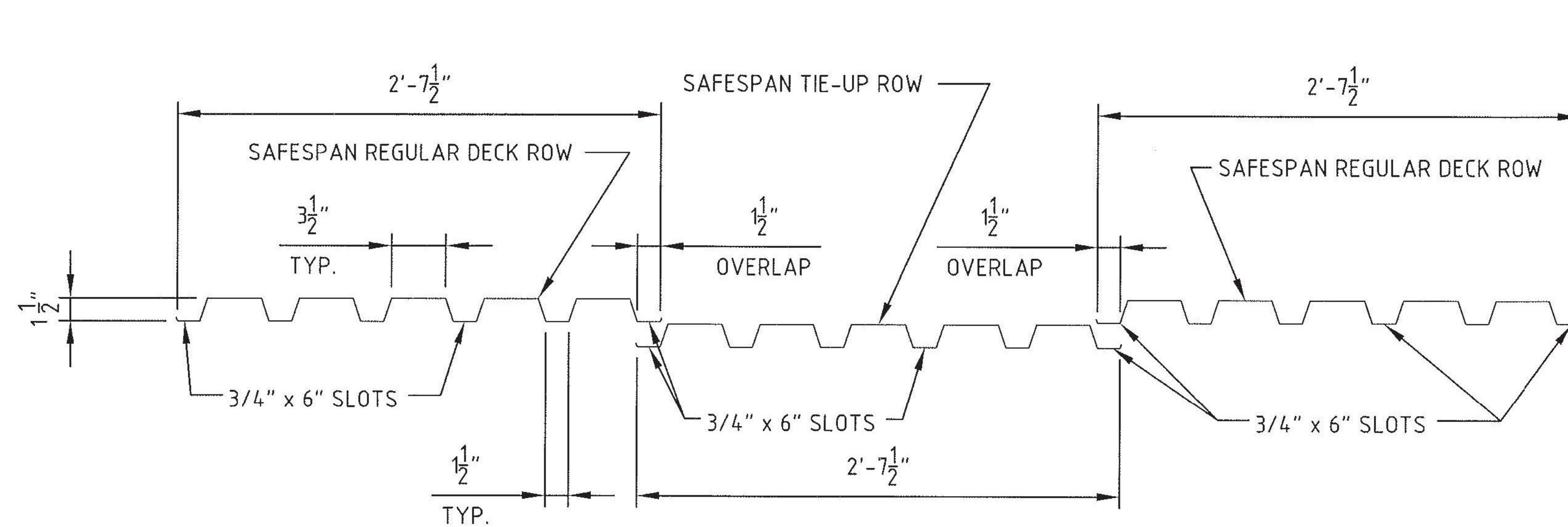
2 DS-20N-G-R
DECK SHEET 20 GAUGE NARROW
GALVANIZED REGULAR



3 TYPICAL PANEL SIDE OVERLAP DETAIL

NOTES :

- 1.) TIGHTEN DECK/TIE-UP CLIPS HAND TIGHT TO ENSURE CLIPS IN EACH SHEET ARE PROPERLY ALIGNED. UPON ACHIEVING PROPER ALIGNMENT TIGHTEN DECK/TIE-UP CLIPS.



4 TYPICAL PANEL SIDE OVERLAP DETAIL
AT TIE-UP ROW

SAFESPAN, INC. IS THE MANUFACTURER OF A UNIQUE PROPRIETARY AND PATENTED MULTI-SPAN PLATFORM SYSTEM. US. PATENTS #5,730,248, 5,921,346, 6,003,634, 6,135,240, 6,138,793, 6,227,331, 6,264,002, 6,302,237, 6,386,319, & 6,523,644. AUSTRALIAN PATENT #720,795. OTHER INTERNATIONAL AND US. PATENTS PENDING. ANY ATTEMPT AT SYSTEM DUPLICATION IS A VIOLATION AND IS SUBJECT TO PENALTY UNDER LAW.	REV.	DATE	BY	REVISION DESCRIPTION		DESIGNED BY: D.E.P.	CHECKED BY: A.W.T.	PHOENIX DEVELOPMENT			
	1	04-02-12	D.J.L.	GENERAL REVISIONS		DRAWN BY: D.J.L.	CHECKED BY: D.E.P.	ROUTE 2 BRIDGE OVER WINOOSKI BRIDGE			
							DATE: 02-17-11	SCALE: NO SCALE	DECKING INSTALLATION		
							© COPYRIGHT 2012 SAFESPAN, INC.	S.S. PROJECT No: 1318111000	OWNERS PROJECT No: STP-RS 0284(11)	REV.: 1	JOB No.: 131811