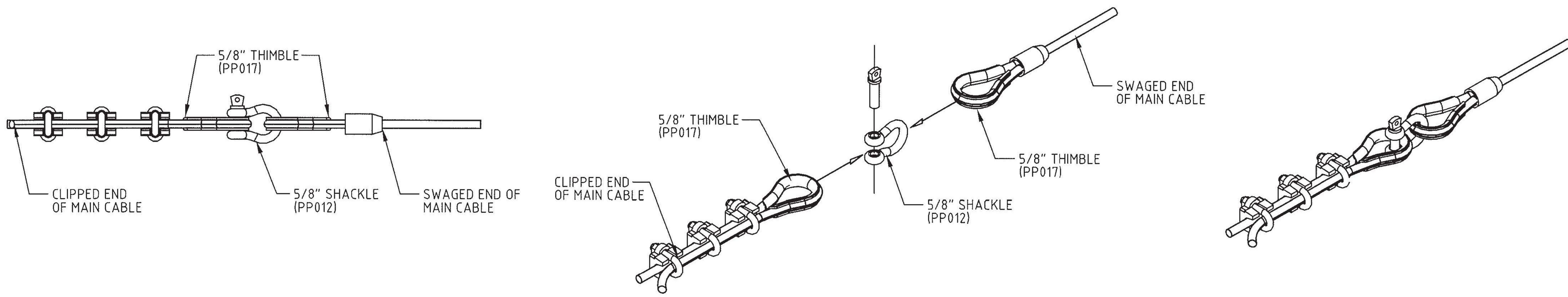


Z:\PROJECT\2011-Jobs\131811-Route 2 Bridge over Wooski River\Drawings\DWG Package\Revision_03-29-12\710-Main Cable Install.dwg



1
-
MAIN CABLE SPLICE

INSTALLATION PROCEDURE

- 1.) INSTALL SHACKLE THROUGH THE SWAGED END OF THE MAIN CABLE.
- 2.) INSTALL THE CLIPPED END OF THE MAIN CABLE ONTO THE SHACKLE.

NOTES:

- 1.) PART NUMBERS IN PARENTHESES ARE SAFESPAN INTERNAL PART NUMBERS.

SHEET 2 OF 2

SAFESPAN, INC. IS THE MANUFACTURER OF A UNIQUE PROPRIETARY AND PATENTED MULTI-SPAN PLATFORM SYSTEM. U.S. PATENTS #5,730,248, 5,921,346, 6,003,634, 6,135,240, 6,138,793, 6,227,331, 6,264,002, 6,302,237, 6,386,319, & 6,523,644. AUSTRALIAN PATENT #720,795. OTHER INTERNATIONAL AND U.S. PATENTS PENDING. ANY ATTEMPT AT SYSTEM DUPLICATION IS A VIOLATION AND IS SUBJECT TO PENALTY UNDER LAW.	REV.	DATE	BY	REVISION DESCRIPTION		DESIGNED BY: D.E.P.	CHECKED BY: A.W.T.	PHOENIX DEVELOPMENT			
	1	04-02-12	A.W.T.	GENERAL REVISIONS		DRAWN BY: D.J.L.	CHECKED BY: D.E.P.	ROUTE 2 BRIDGE OVER WINOOSKI BRIDGE			
							DATE: 02-17-11	SCALE: NO SCALE	MAIN CABLE INSTALLATION		
							© COPYRIGHT 2012 SAFESPAN, INC. S.S. PROJECT No: 1318111000	OWNERS PROJECT No: STP-RS 0284(11)	REV.: 1	JOB No.: 131811	DWG. No.: 710