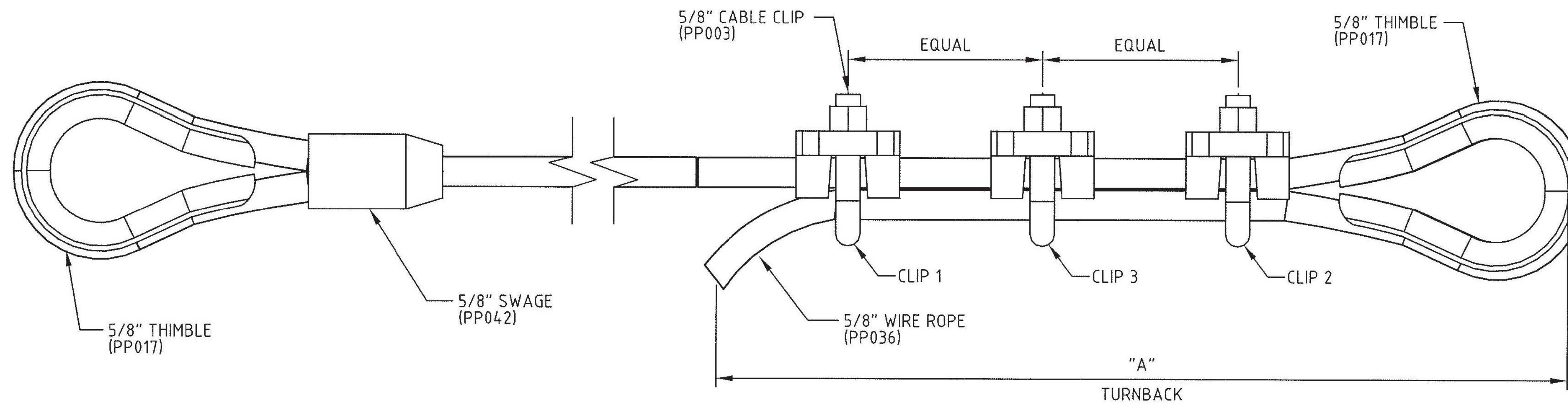


Z:\PROJECT\2011-Jobs\131811-Route 2 Bridge over Wooski River\Drawings\DWG Package\Revision_03-29-12\710-Main Cable Install.dwg

CABLE SIZE (in.)	CLIP SIZE (in.)	MIN. NUMBER OF CLIPS	"A" AMOUNT OF CABLE TO TURN BACK IN INCHES	TORQUE IN Ft.Lbs.
1/4	1/4	2	4 3/4	15
1/2	1/2	3	11 1/2	65
5/8	5/8	3	12	95
3/4	3/4	4	18	130



1
-
TYPICAL CABLE CONFIGURATION
NOTES: 5/8" MAIN CABLES SHOWN. ALL OTHERS REFER TO CHART

NOTES:

- CLIP 1 SHALL BE INSTALLED ONE BASE WIDTH FROM DEAD END OF ROPE
- CLIP 2 SHALL BE INSTALLED AS CLOSE TO THE THIMBLE AS POSSIBLE
- WHEN 3 OR MORE CLIPS ARE REQ'D. SPACE ADDITIONAL CLIPS EQUALLY BETWEEN CLIPS 1 & 2
- PART NUMBERS IN PARENTHESES ARE SAFESPAN INTERNAL PART NUMBERS.

SHEET 1 OF 2

SAFESPAN, INC. IS THE MANUFACTURER OF A UNIQUE PROPRIETARY AND PATENTED MULTI-SPAN PLATFORM SYSTEM. U.S. PATENTS #5,730,248, 5,921,346, 6,003,634, 6,135,240, 6,138,793, 6,227,331, 6,264,002, 6,302,237, 6,386,319, & 6,523,644. AUSTRALIAN PATENT #720,795. OTHER INTERNATIONAL AND U.S. PATENTS PENDING. ANY ATTEMPT AT SYSTEM DUPLICATION IS A VIOLATION AND IS SUBJECT TO PENALTY UNDER LAW.	REV.	DATE	BY	REVISION DESCRIPTION		DESIGNED BY: D.E.P.	CHECKED BY: A.W.T.	PHOENIX DEVELOPMENT			
	1	04-02-12	D.J.L.	GENERAL REVISIONS		DRAWN BY: D.J.L.	CHECKED BY: D.E.P.	ROUTE 2 BRIDGE OVER WINOOSKI BRIDGE			
							DATE: 02-17-11	SCALE: NO SCALE	MAIN CABLE INSTALLATION		
							© COPYRIGHT 2012 SAFESPAN, INC.	S.S. PROJECT No: 1318111000	OWNERS PROJECT No: STP-RS 0284(11)	REV.: 1	JOB No.: 131811