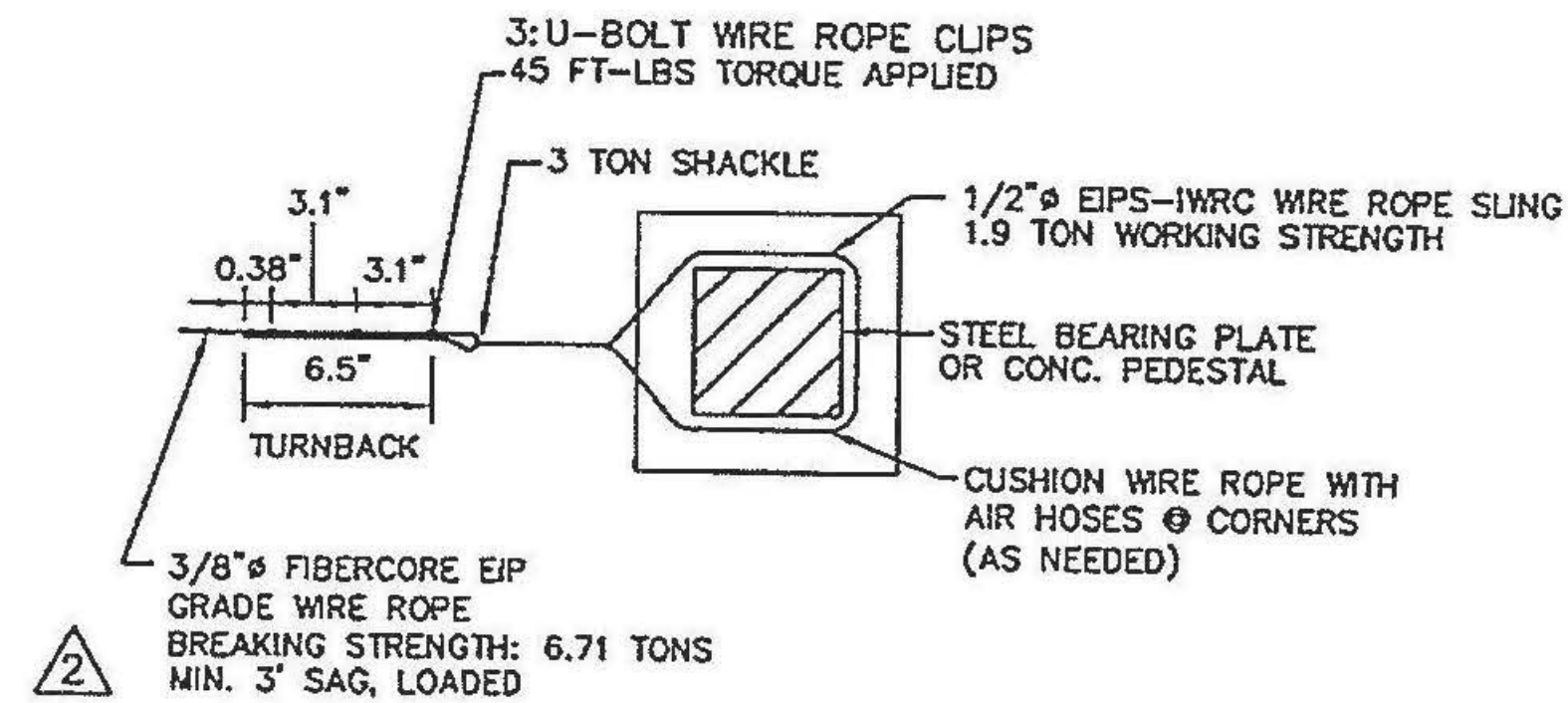


**PICK CABLE END ATTACHMENT**

OPTION #1

NOT TO HANG DOWN OVER OPEN ROADWAY DURING NON-WORKING HOURS

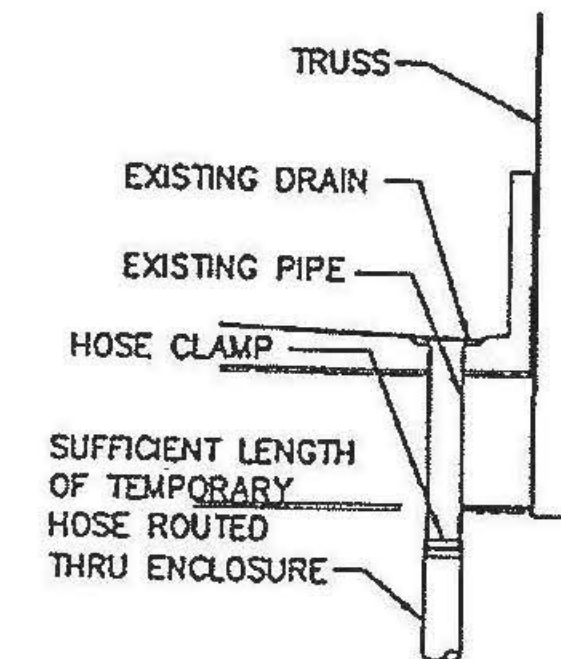


**SAFETY CABLE END ATTACHMENT**

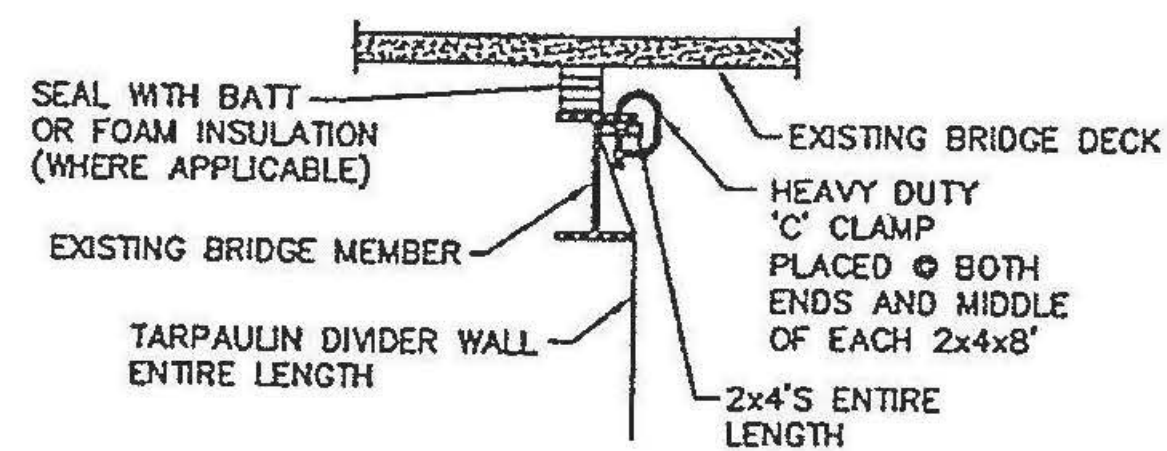
OPTION #2

NOT TO HANG DOWN OVER OPEN ROADWAY DURING NON-WORKING HOURS

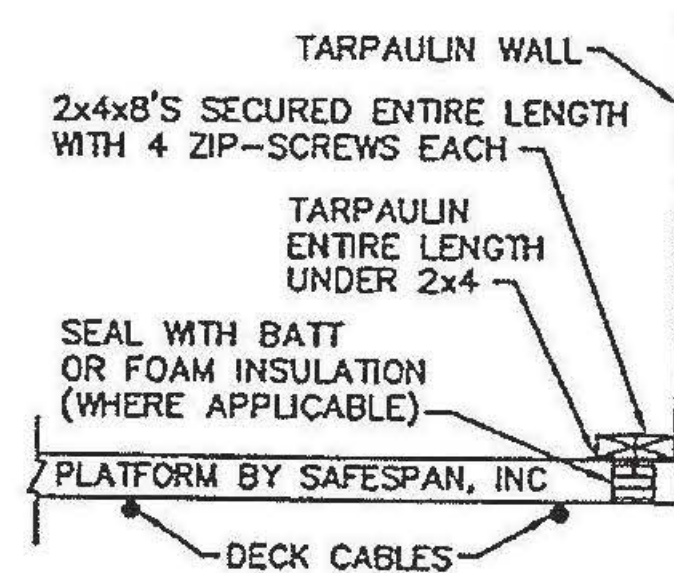
NOTE: ATTACHMENTS ABOVE CAN BE USED FOR EITHER PICK OR SAFETY CABLES, BUT NOT IN CONJUNCTION AS THE SAME



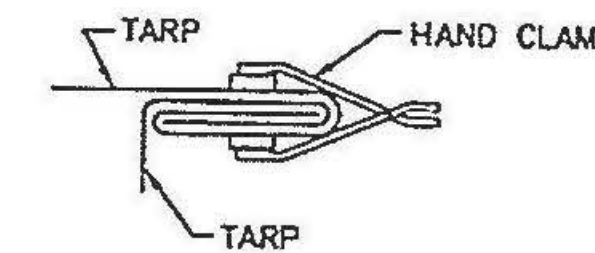
TEMPORARY DRAIN



DIVIDER TARPAULIN SUPPORT

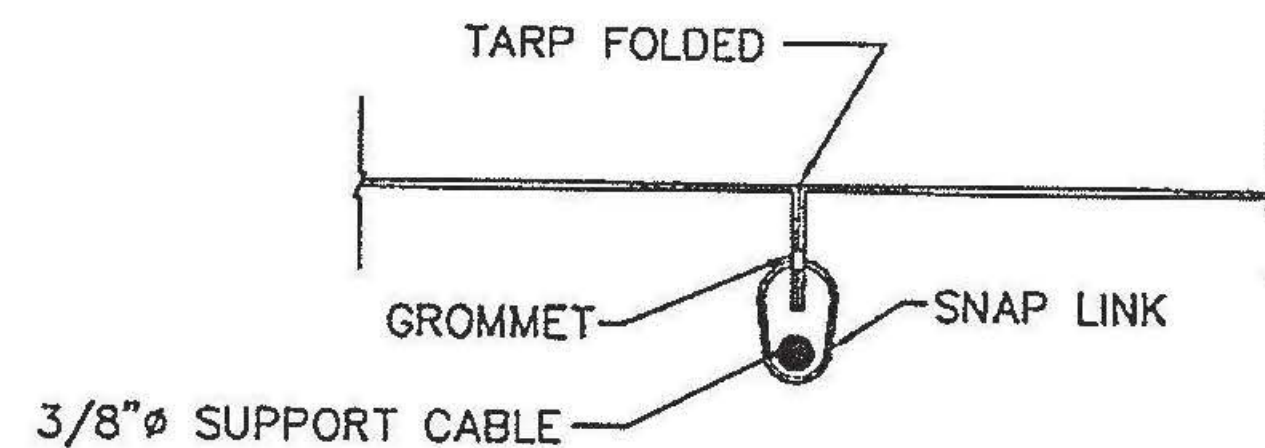


TARP ATTACHMENT TO DECK



TARP LAP AT CORNER

TARPS ROLLED & CLAMPED



TARP ATTACHMENT TO CABLE

3			
2	053012	AS PER E-MAIL DATED 051412	GMS
1	040112	CHANGED PHASES 1 & 2 PER CLIENT	GMS
NO.	DATE	REVISION DESCRIPTION	BY

**PHOENIX DEVELOPMENT & CONST., INC.**  
CORFU NEW YORK

**CONTAINMENT DETAILS**  
**US ROUTE 2 OVER WINOOSKI RIVER**  
**TOWN OF RICHMOND, VT**  
**VTrans PROJECT NO: STP-RS 0284(11)**

**SODERHOLM ENGINEERING ASSOCIATES**  
Civil, Structural, Environmental

24 DILLER DR.  
ORCHARD PARK, NY 14127 P. 716-445-2853  
F. 716-667-2495

DRAWN BY	GMS	DATE	051911	SCALE	NOT TO SCALE
CHECKED BY	GZ	DATE	062111	DRAWING NUMBER	
APPROVED BY	GHS	DATE	062111	11708-06	

DATED: \_\_\_\_\_

**COPYRIGHT** - This is the property of Soderholm Engineering Associates. Any unauthorized use or modification of these materials is strictly prohibited. Moreover to the fullest extent permitted by law, any unauthorized user of these materials agrees to indemnify Soderholm Engineering Associates and any of its employees from any and all actions, including breach of contracts claims, negligence or other torts, which arise from the unauthorized use or unauthorized modification of this documents or the design contained herein.

**WARNING** - IT IS A VIOLATION OF SECTION 7209-2 OF THE NEW YORK STATE EDUCATION LAW FOR ANY PERSON UNLESS ACTING UNDER THE DIRECTION OF A LICENSED PROFESSIONAL ENGINEER TO ALTER IN ANY WAY ANY PLANS, SPECIFICATIONS, PLATS OR REPORTS TO WHICH THE SEAL OF A PROFESSIONAL ENGINEER HAS BEEN APPLIED.