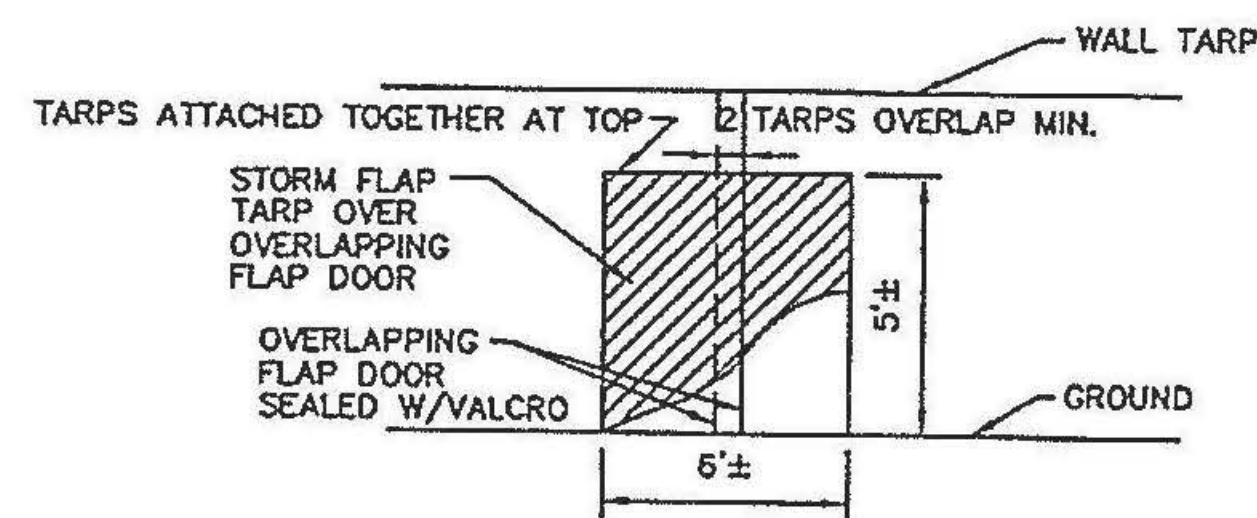
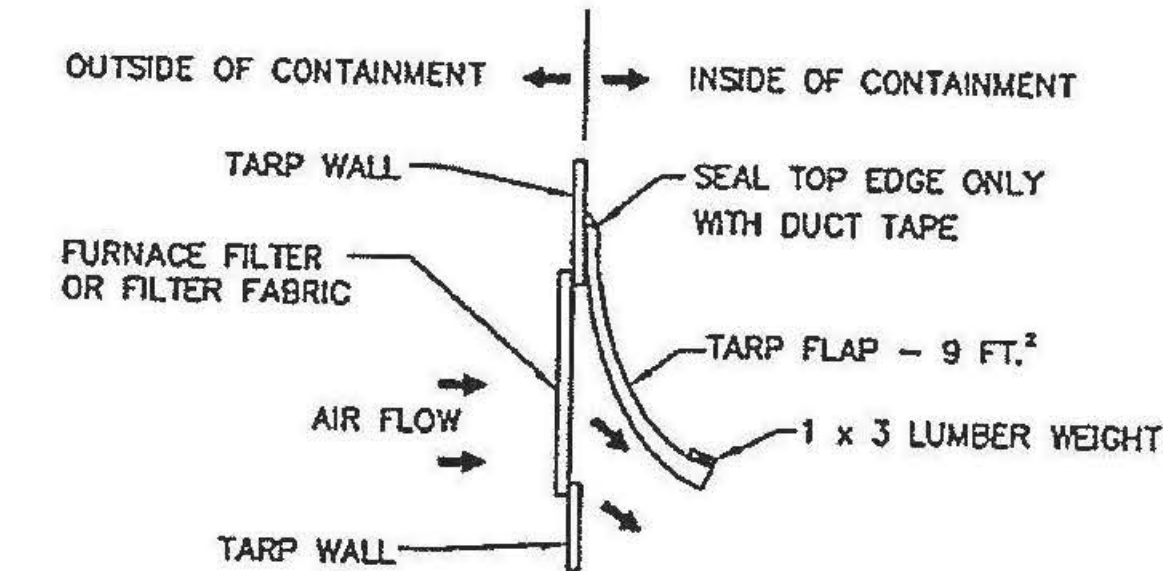


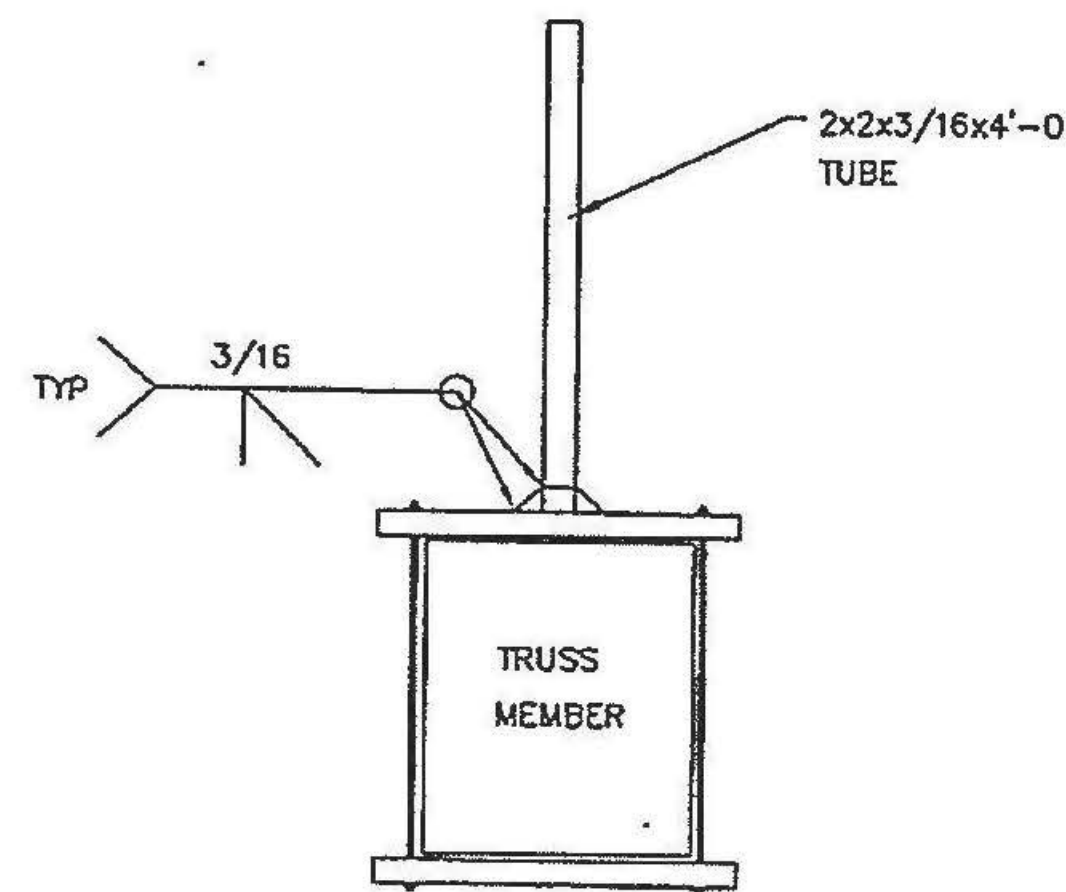
TRAVERSE CONTAINMENT ENCLOSURE



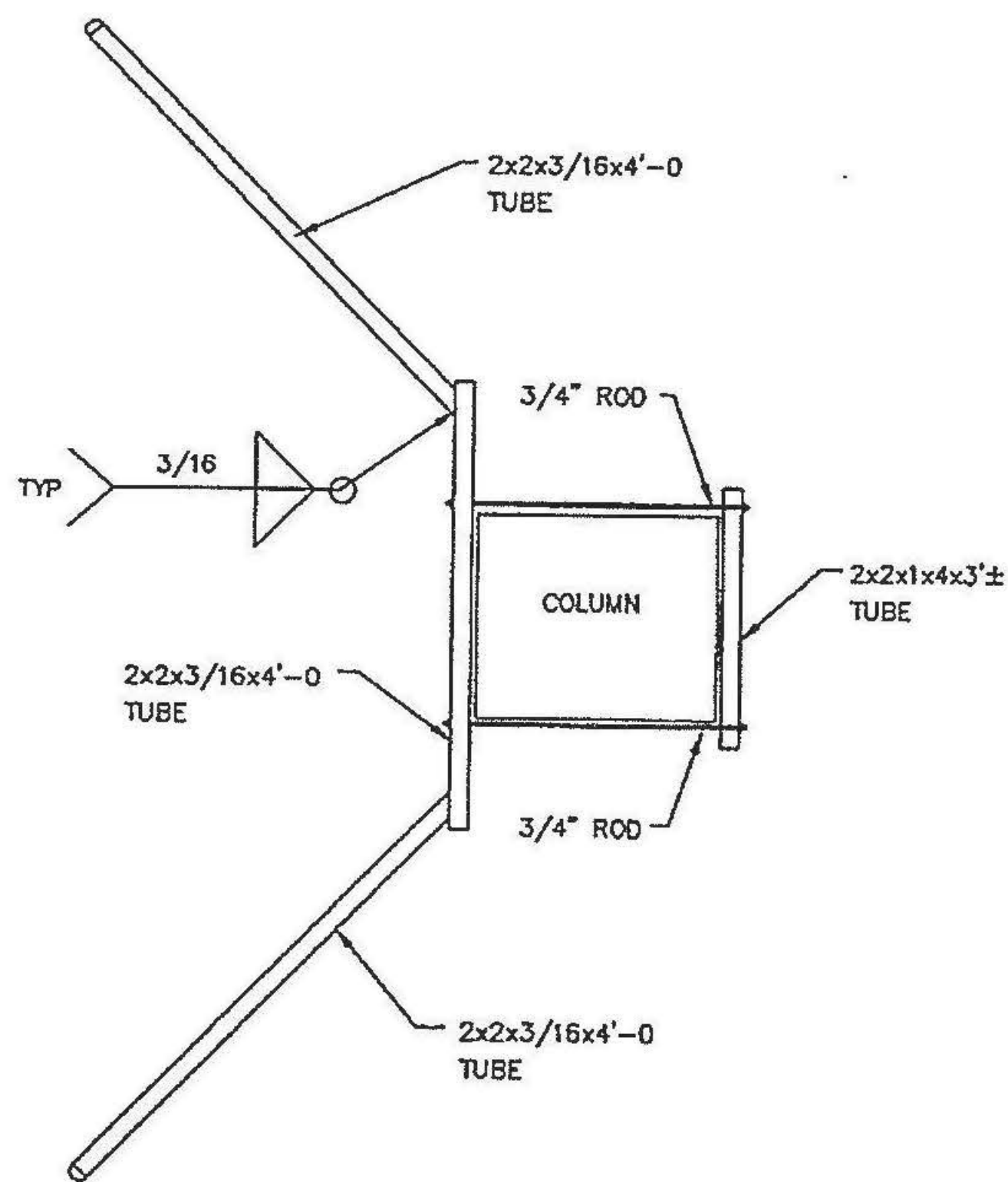
ENTRY DOOR DETAIL



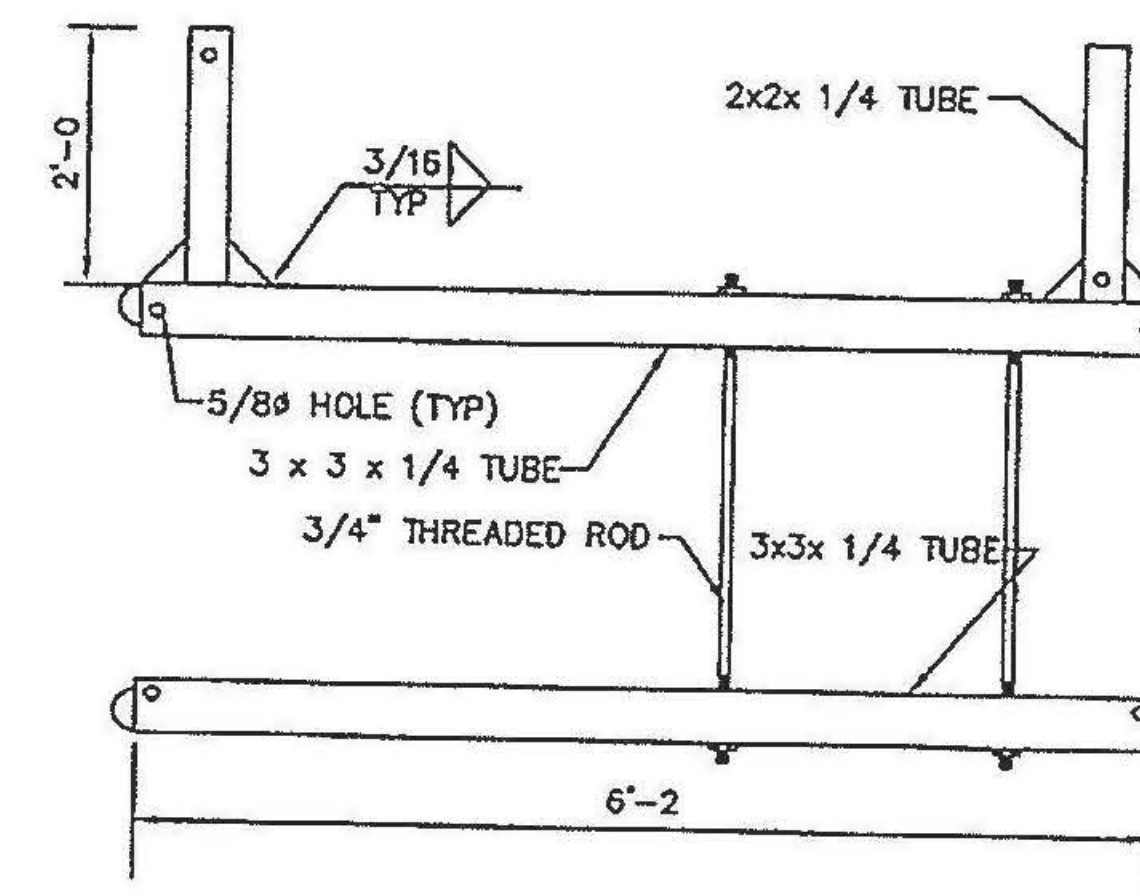
MAKE-UP AIR OPENING IN TARP



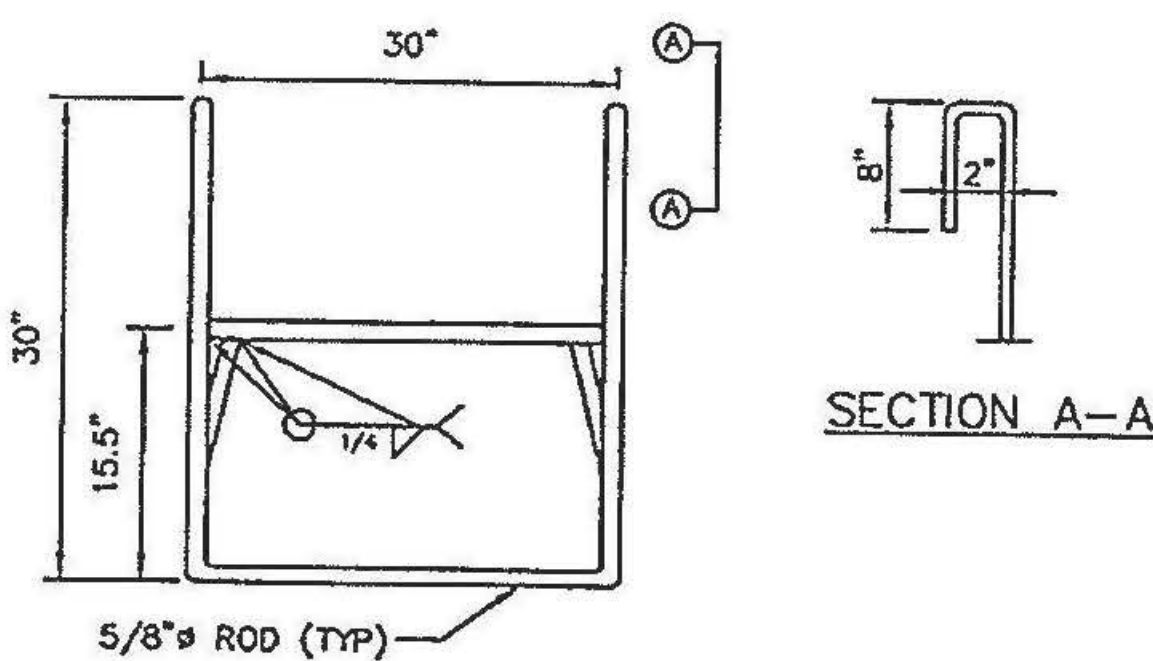
2 SIDE TRUSS BRACKET



2 TOP TRUSS BRACKET



2 UPPER ROOF BRACKET



PICK BRACKET

3			
2	053012	AS PER E-MAIL DATED 051412	GMS
1	040112	CHANGED PHASES 1 & 2 PER CLIENT	GMS
NO.	DATE	REVISION DESCRIPTION	BY

PHOENIX DEVELOPMENT & CONST., INC.
CORFU NEW YORK

CONTAINMENT DETAILS
US ROUTE 2 OVER WINOOSKI RIVER
TOWN OF RICHMOND, VT
VTrans PROJECT NO: STP-RS 0284(11)

SODERHOLM ENGINEERING ASSOCIATES
Civil, Structural, Environmental

24 DILLER DR.
ORCHARD PARK, NY 14127 P. 716-445-2853
F. 716-667-2498

DRAWN BY	GMS	DATE	051911	SCALE	NOT TO SCALE
CHECKED BY	GZ	DATE	062111	DRAWING NUMBER	
APPROVED BY	GHS	DATE	062111	11708-05	

DATED: _____

COPYRIGHT - This is the property of Soderholm Engineering Associates. Any unauthorized use or modification of these materials is strictly prohibited. Moreover to the fullest extent permitted by law, any unauthorized user of these materials agrees to indemnify Soderholm Engineering Associates and any of its employees from any and all actions, including breach of contracts claims, negligence or other torts, which arise from the unauthorized use or unauthorized modification of this documents or the design contained herein.

WARNING - IT IS A VIOLATION OF SECTION 7209-2 OF THE NEW YORK STATE EDUCATION LAW FOR ANY PERSON UNLESS ACTING UNDER THE DIRECTION OF A LICENSED PROFESSIONAL ENGINEER TO ALTER IN ANY WAY ANY PLANS, SPECIFICATIONS, PLATS OR REPORTS TO WHICH THE SEAL OF A PROFESSIONAL ENGINEER HAS BEEN APPLIED.