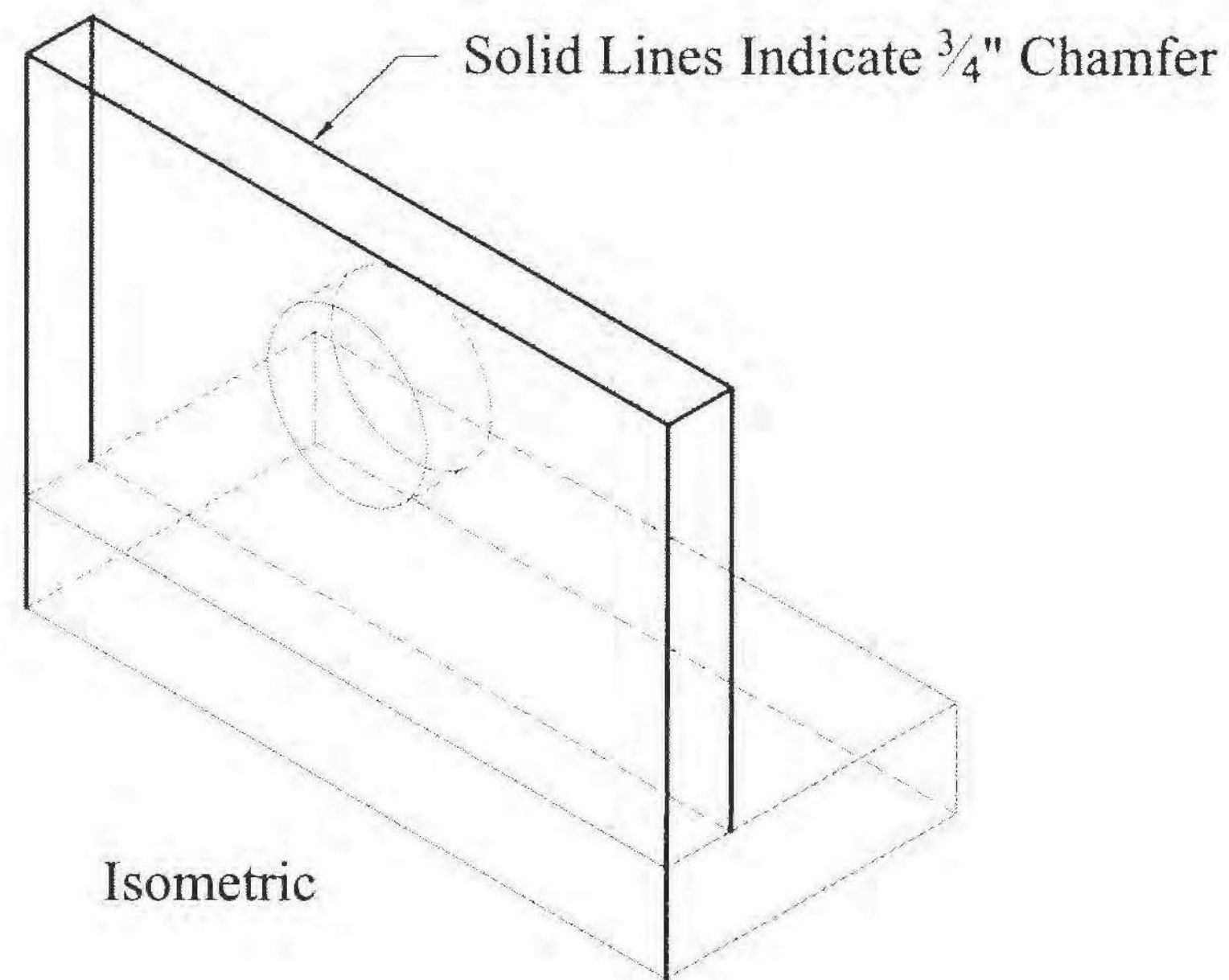
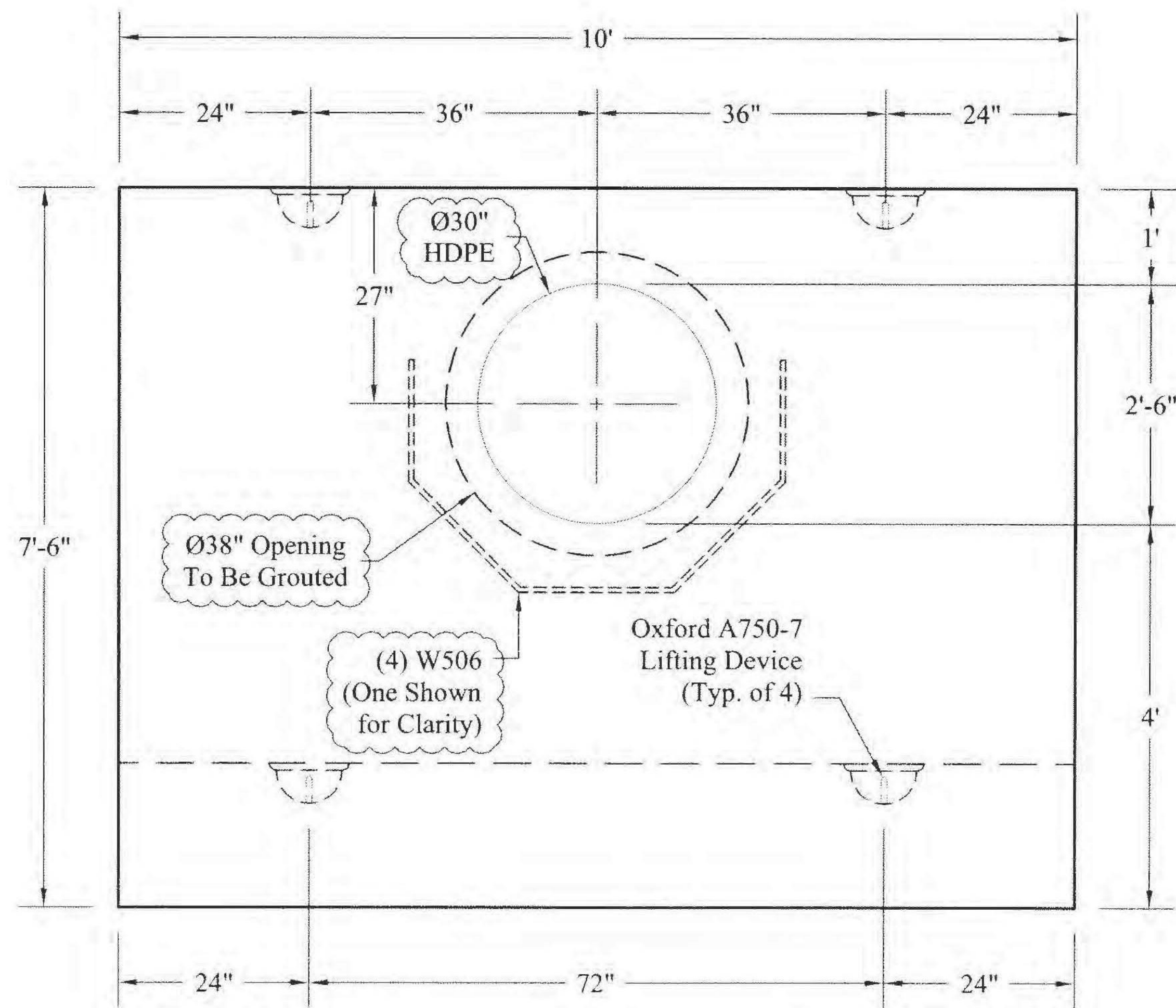
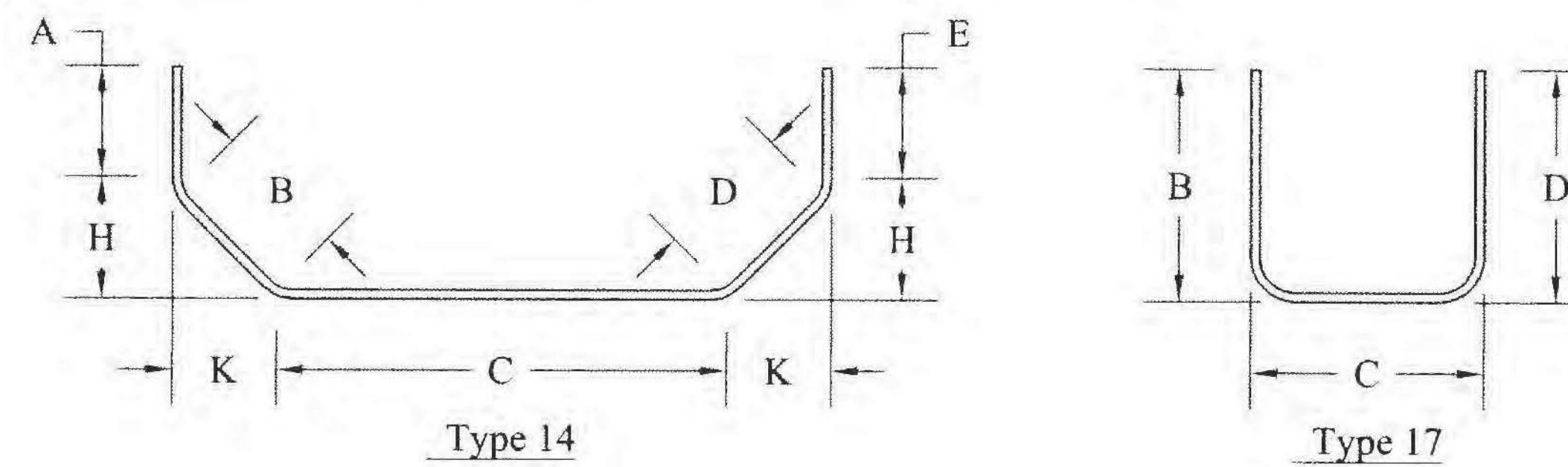


Volume: ±4.54 CY
Weight: ±18,160 lbs

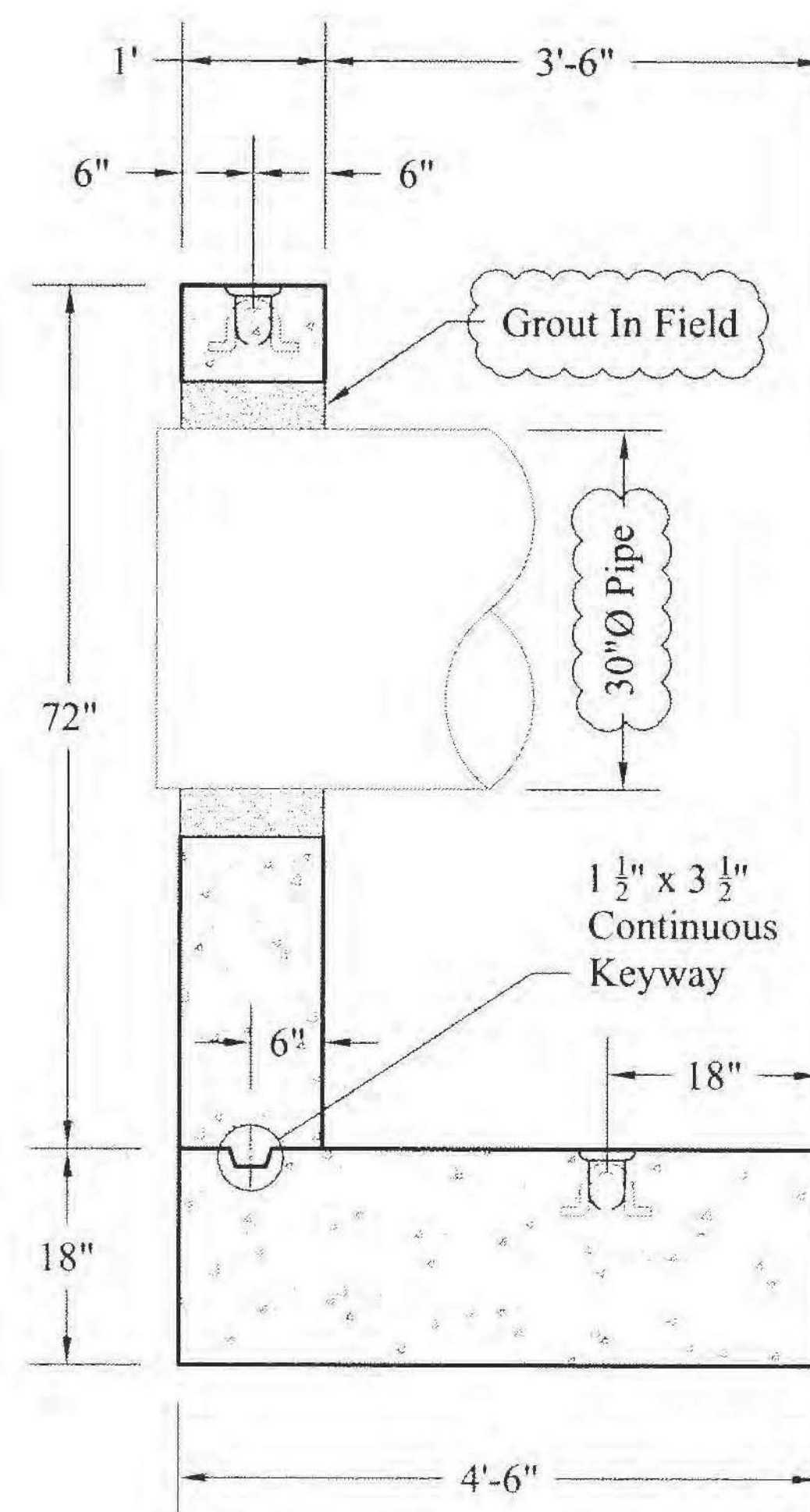


Steel Schedule for Reinforced Concrete Headwall

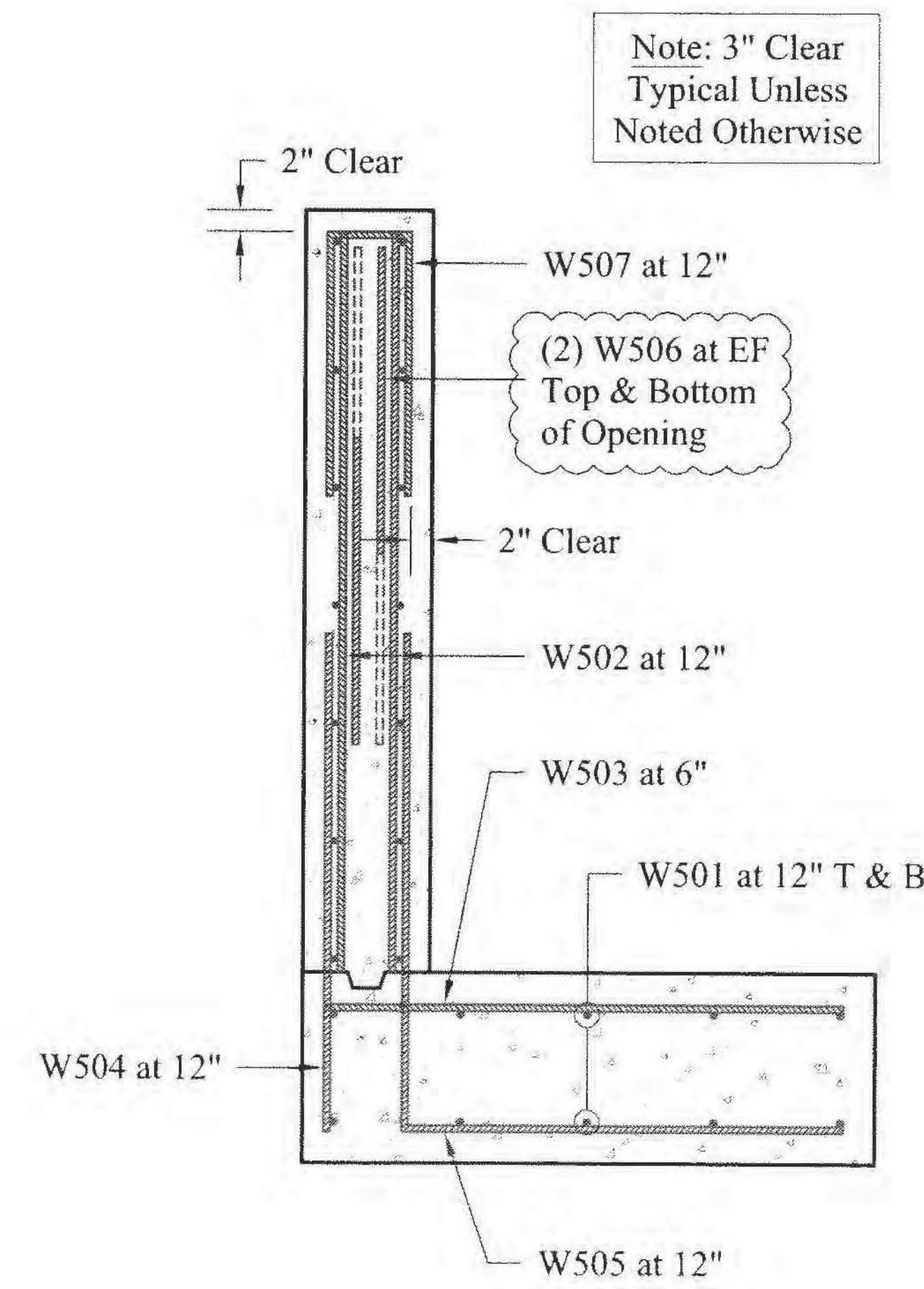
Mark	# Piece	Size	Length	Type	A	B	C	D	E	H	K
W501	24	#5	9'-6"	Str.							
W502	22	#5	5'-9"	Str.							
W503	20	#5	4'-10"	Str.							
W504	11	#5	3'-11"	Str.							
W505	11	#5	7'-4"	17		3'-11"	3'-5"	-----			
W506	4	#5	7'-4"	14	1'-3/4"	1'-7"	1'-7 1/2"	1'-7"	1'-3/4"	1'-1 3/4"	1'-1 3/4"
W507	11	#5	4'-7"	17		2'-0"	7"	2'-0"			



Elevation View



Section View



Rebar Reinforcing



193 Industrial Ave, Williston, VT 05495
P.O. Box 2286, South Burlington, VT 05407
Phone: (802) 658-0201 www.SDIreland.com

Note:
This shop drawing represents S.D. Ireland's interpretation of the architects plans and specifications as well as our contract requirements for this project.

Prior to manufacture and production from this drawing all; dimensions, methods of construction, and existing conditions must be checked, revised and approved by S.D. Ireland's client.

General Notes:
1) All Mortar and control joints are assumed to be 3/8"
2) All lengths stated are actual lengths.
3) All lengths stated to be verified in the field by others:
-Not the responsibility of S.D. Ireland
4) All loose anchorage to be supplied by others:
-Not the responsibility of S.D. Ireland

Legend:

- NO EXCEPTION TAKEN
- MAKE CORRECTIONS NOTED
- REJECTED
- REVISE AND RESUBMIT
- SUBMIT SPECIFIED ITEM

CHECKING IS ONLY FOR GENERAL CONFORMANCE WITH THE DESIGN CONCEPT OF THE PROJECT AND GENERAL COMPLIANCE WITH THE INFORMATION GIVEN IN THE CONTRACT DOCUMENTS. ANY ACTION SHOWN IS SUBJECT TO THE REQUIREMENTS OF THE PLANS AND SPECIFICATIONS. CONTRACTOR IS RESPONSIBLE FOR DIMENSIONS WHICH SHALL BE CONFIRMED AND CORRELATED AT THE JOB SITE; FABRICATION PROCESSES AND TECHNIQUES OF CONSTRUCTION COORDINATION OF HIS WORK WITH THAT OF ALL OTHER TRADES AND THE SATISFACTORY PERFORMANCE OF THE WORK.

DATE BTH BY CHA 5/6/13

Rev.	Date	By	Description
1	05/02/13	CD	Modified Per State Revisions

Project Name: **Richmond Bridge**
Project Location: **Richmond, VT**
Drawing Title: **Layout & Plan View**
Job #: **11693** Date: **05/02/13**
Scale: **N.T.S.** Page: **1 of 1**