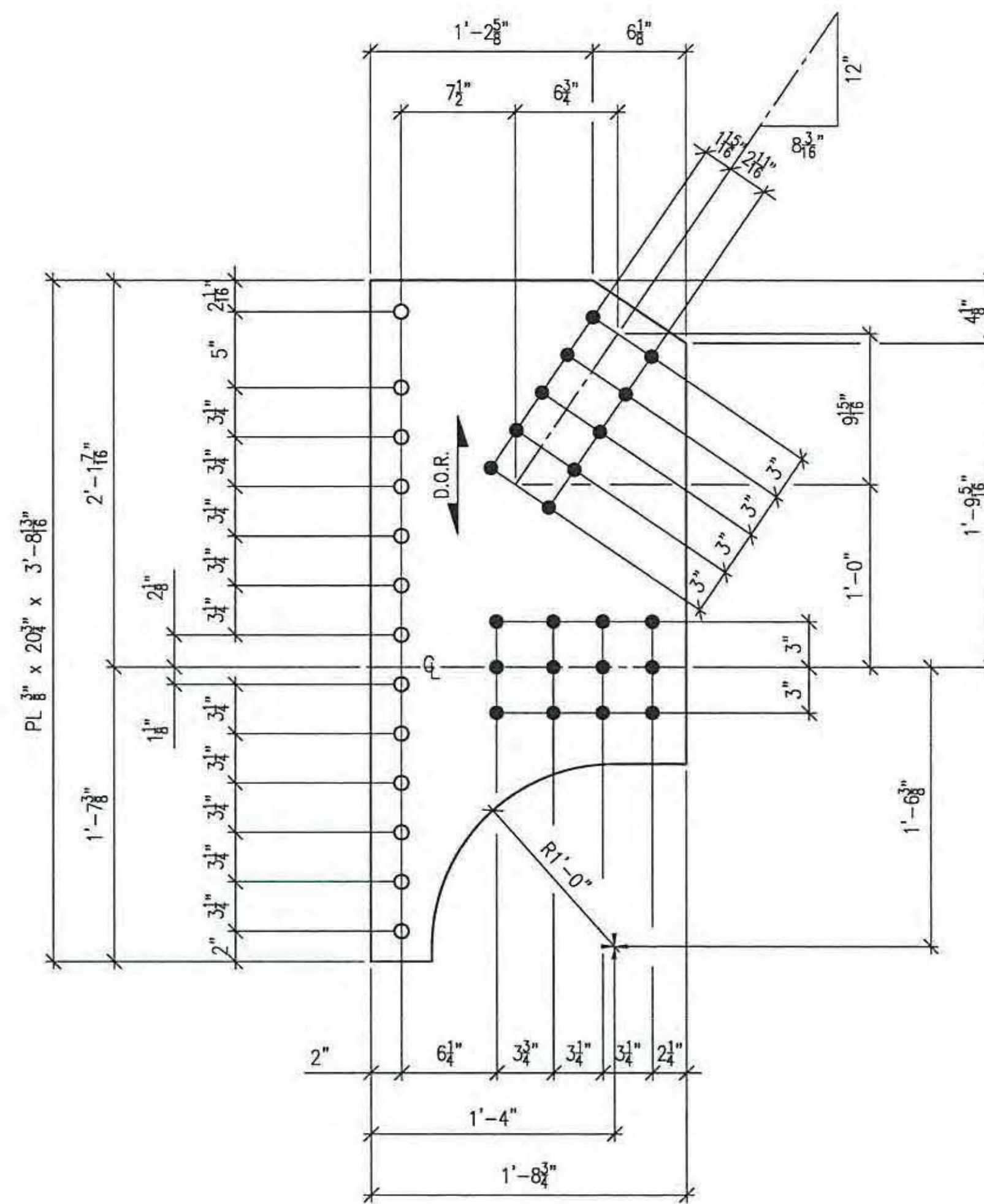


2 REQ'D ~ Mk. x22a  
**MATERIAL A709-50 T2**



2 REQ'D ~ Mk. x22b  
**MATERIAL A709-50 T2**

- NO EXCEPTION TAKEN
- REJECTED
- MAKE CORRECTIONS NOTED
- REVISE AND RESUBMIT
- SUBMIT SPECIFIED ITEM

CHECKING IS ONLY FOR GENERAL CONFORMANCE WITH THE DESIGN CONCEPT OF THE PROJECT AND GENERAL COMPLIANCE WITH THE INFORMATION GIVEN IN THE CONTRACT DOCUMENTS. ANY ACTION SHOWN IS SUBJECT TO THE REQUIREMENTS OF THE PLANS AND SPECIFICATIONS. CONTRACTOR IS RESPONSIBLE FOR DIMENSIONS WHICH SHALL BE CONFIRMED AND CORRELATED AT THE JOB SITE; FABRICATION PROCESSES AND TECHNIQUES OF CONSTRUCTION; COORDINATION OF HIS WORK WITH THAT OF ALL OTHER TRADES AND THE SATISFACTORY PERFORMANCE OF THE WORK.

DATE 4/12/12 BY CHA

- LEGEND:**
- CL = CENTERLINE
  - CTR'D = CENTERED
  - C/C = CENTER TO CENTER
  - FLC = FLANGE
  - TOP = TOP
  - BTM = BOTTOM
  - RDFH = RUNNING DIMENSIONS FROM HERE
  - FB = FIELD BOLTS (QUANTITY) DIAMETER x LENGTH
  - AD = ALTERNATE HOLE DIAMETER
  - TYP = TYPICAL
  - N/S = NEAR SIDE
  - F/S = FAR SIDE
  - B/S = BOTH SIDES
  - BTS = BOLT TO SHIP
  - SHIP'G BOLT = SHIPPING BOLT
  - SHIPPING BOLT = SHIPPING BOLT
  - D.O.R. = DIRECTION OF ROLL
  - T2 = CHARPY V-NOTCH TESTING REQUIRED
  - F2 = FRACTURE CRITICAL MATERIAL
  - Ø = FIELD DRILLED HOLE
  - ⊗ = FIELD DRILLED HOLE

ALL DIMENSIONS HAVE BEEN FIELD VERIFIED  
 BY: \_\_\_\_\_ DATE: \_\_\_\_\_

NO.	DATE	BY	REVISION
1	04/05/12	PG	BOLTS REVISED TO A325 BLACK LEGEND UP DATED ISSUED FOR FINAL APPROVAL
B	03/15/12	RC	BOLTS REVISED TO A325 GALV
A	03/02/12	RC	FOR APPROVAL

**STS STEEL, INC.**  
 ENGINEERS • FABRICATORS • ERECTORS  
 PH: (518) 370-2693 FAX: (518) 370-2696

DRAWING TITLE  
**UPPER STEEL (STANDARDS)**

PROJECT No. US RT 2 BRIDGE No 24 FEDERAL AID No.  
 ENGINEER : CHA  
 CUSTOMER : Harrison & Burrows Bridge Constructors, Inc.  
 PROJECT : RICHMOND, VT – TRUSS BRIDGE REHAB  
 RICHMOND, VT

HOLE: 15/16" U.N.O. PAINT: PER SPEC DATE: 03/01/12  
 BOLTS: A325 U.N.O. DR.BY: RC JOB NO. 1156  
 WELDS: AWS D1.5 CHK.BY: BH DWG NO. x22

**ALL HOLES TO BE DRILLED**