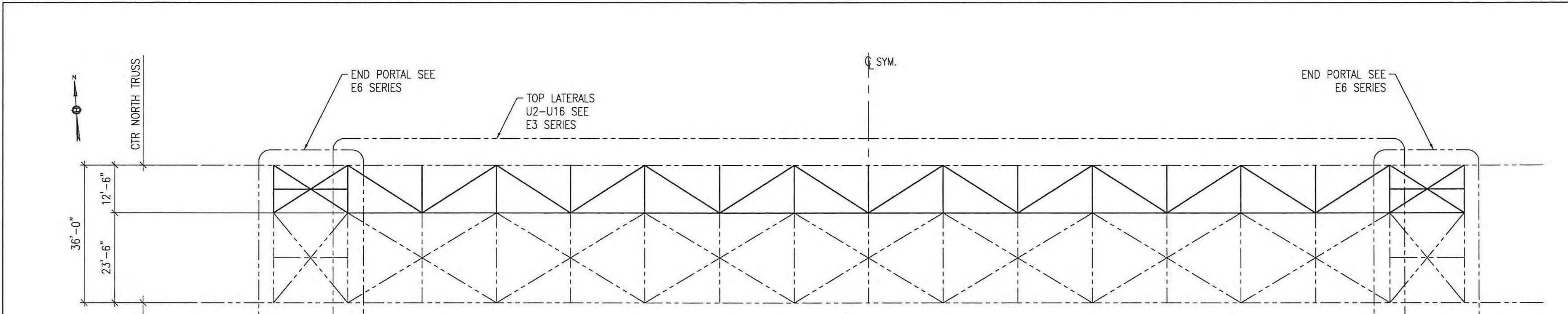


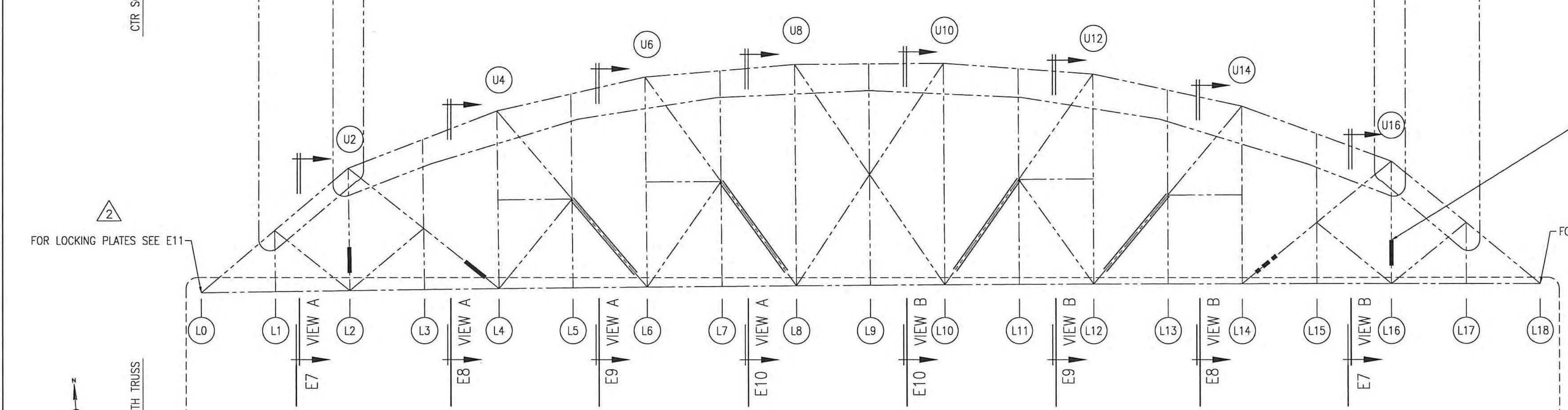
- NO EXCEPTION TAKEN
- REJECTED
- MAKE CORRECTIONS NOTED
- REVISE AND RESUBMIT
- SUBMIT SPECIFIED ITEM

CHECKING IS ONLY FOR GENERAL CONFORMANCE WITH THE DESIGN CONCEPT OF THE PROJECT AND GENERAL COMPLIANCE WITH THE INFORMATION GIVEN IN THE CONTRACT DOCUMENTS. ANY ACTION SHOWN IS SUBJECT TO THE REQUIREMENTS OF THE PLANS AND SPECIFICATIONS. CONTRACTOR IS RESPONSIBLE FOR DIMENSIONS WHICH SHALL BE CONFIRMED AND CORRELATED AT THE JOB SITE; FABRICATION PROCESSES AND TECHNIQUES OF CONSTRUCTION; COORDINATION OF HIS WORK WITH THAT OF ALL OTHER TRADES AND THE SATISFACTORY PERFORMANCE OF THE WORK.

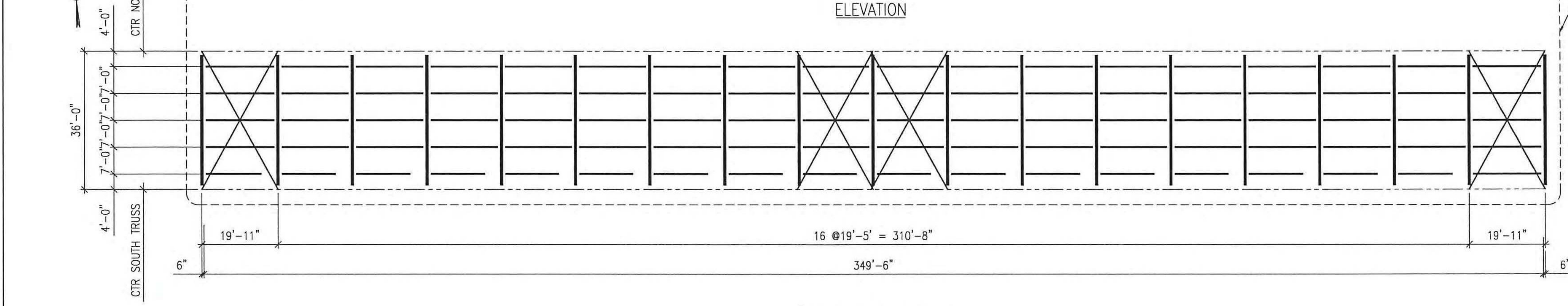
DATE 1/3/2013 BY BJK



UPPER STEEL PLAN



ELEVATION



FLOOR SYSTEM PLAN

- LEGEND:**
- ℄ = CENTERLINE
  - CTR'D = CENTERED
  - C/C = CENTER TO CENTER
  - FLG = FLANGE
  - TOP = TOP
  - BTM = BOTTOM
  - RDH = RUNNING DIMENSIONS FROM HERE
  - = FIELD BOLTS (QUANTITY) DIAMETER x LENGTH
  - ⊕ = ALTERNATE HOLE DIAMETER
  - TYP = TYPICAL
  - N/S = NEAR SIDE
  - F/S = FAR SIDE
  - B/S = BOTH SIDES
  - BTS = BOLT TO SHIP
  - ◇ = TEMPORARY BOLT FOR SHIPPING
  - D.O.R. = DIRECTION OF ROLL
  - T2 = CHARPY V-NOTCH TESTING REQUIRED
  - F2 = FRACTURE CRITICAL MATERIAL
  - ⊗ = FIELD DRILLED HOLE
  - ⊗ = FIELD DRILLED HOLE

ALL DIMENSIONS HAVE BEEN FIELD VERIFIED BY: \_\_\_\_\_ DATE: \_\_\_\_\_

NO.	DATE	BY	REVISION
2	12/19/12	RC	LOCKING PLATE REFERENCE ADDED
1	05/15/12	RC	FOR CONSTRUCTION
G	04/25/12	RC	TRUSS REINFORCING ADDED
F	04/20/12	RC	FOR APPROVAL
D	03/28/12	RC	PRELIMINARY FOR APPROVAL
C	03/15/12	RC	BOLTS REVISED TO A325 GALV
B	03/06/12	RC	PRELIMINARY FOR APPROVAL
A	03/02/12	RC	PRELIMINARY FOR APPROVAL

**STS STEEL, INC.**  
ENGINEERS \* FABRICATORS \* ERECTORS  
PH: (518) 370-2693 FAX: (518) 370-2696

DRAWING TITLE			
GENERAL PLAN AND ELEVATION			
PROJECT No. US RT 2 BRIDGE No 24	FEDERAL AID No.		
ENGINEER :	CHA		
CUSTOMER :	Harrison & Burrows Bridge Constructors, Inc.		
PROJECT :	RICHMOND, VT - TRUSS BRIDGE REHAB		
RICHMOND, VT			
HOLDS: 15/16" U.N.O.	PAINT: PER SPEC	DATE:	
BOLTS: A325 U.N.O.	DR.BY: RC	JOB NO. 1156	
WELDS: AWS D1.5	CHK.BY: SG	DWG NO. E1	

- NOTES:
- FOR GENERAL NOTES SEE DRAWING GN1.
  - INSTALL WASHER UNDER HEAD OF BOLT AS WELL AS NUT.
  - ALL HOLES MARKED "⊗" OR "⊗" ARE TO BE FIELD DRILLED HOLES.