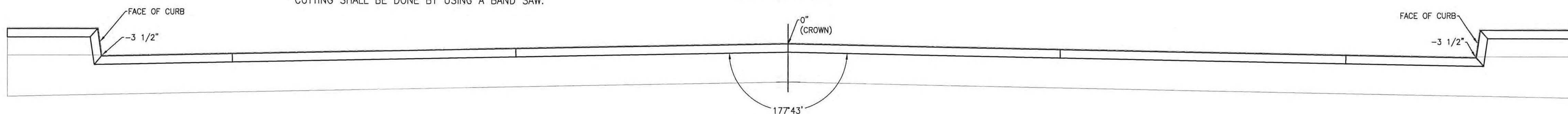
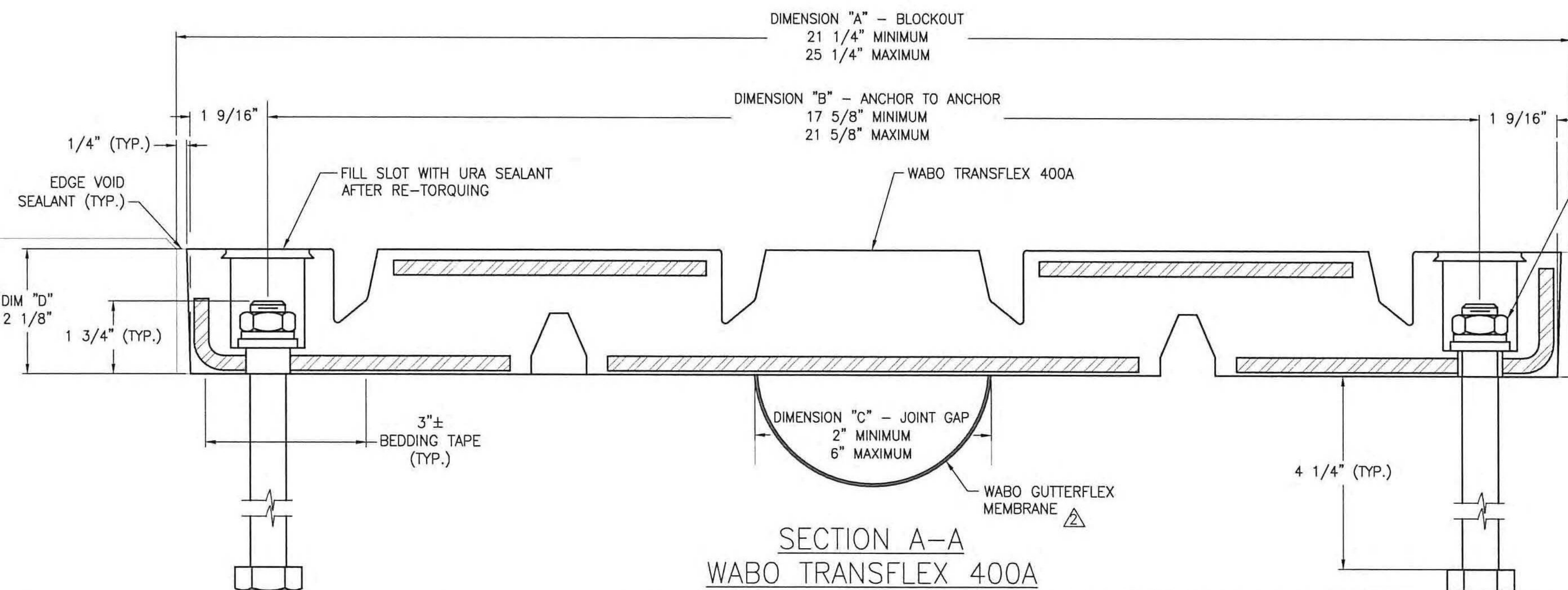


\*THEORETICAL CLOSING DIMENSION. SHIP AT 6'-0\"/>

PLAN VIEW  
WAB143387AA - (1) REQUIRED  
EAST ABUTMENT



PROFILE VIEW  
LOOKING UP STATION



SECTION A-A  
WABO TRANSFLEX 400A

TEMPERATURE °F	JOINT OPENING (IN.)		
	DIM "A"	DIM "B"	DIM "C"
110	22 1/2"	18 3/8"	2 3/4"
100	22 3/4"	18 5/8"	3"
90	23"	18 7/8"	3 1/4"
80	23 1/4"	19 1/8"	3 1/2"
70	23 1/2"	19 3/8"	3 3/4"
60	23 3/4"	19 5/8"	4"
50	24"	19 7/8"	4 1/4"
40	24 1/4"	20 1/8"	4 1/2"
30	24 1/2"	20 3/8"	4 3/4"

DIFFERS FROM CONTRACT PLANS DUE TO MANUFACTURER'S RECOMMENDATIONS

- NO EXCEPTION TAKEN
- REJECTED
- MAKE CORRECTIONS REQUIRED
- REVISE AND RESUBMIT
- SUBMIT SPECIFIED ITEM

CHECKING ONLY FOR GENERAL CONFORMANCE WITH THE DESIGN CONCEPT OF THE PROJECT AND GENERAL COMPLIANCE WITH THE INFORMATION GIVEN IN THE CONTRACT DOCUMENTS. ANY ACTION SHOWN IS SUBJECT TO THE REQUIREMENTS OF THE PLANS AND SPECIFICATIONS. CONTRACTOR IS RESPONSIBLE FOR DIMENSIONS WHICH SHALL BE CONFIRMED AND CORRELATED AT THE JOB SITE; FABRICATION PROCESSES AND TECHNIQUES OF CONSTRUCTION; COORDINATION OF HIS WORK WITH THAT OF ALL OTHER TRADES AND THE SATISFACTORY PERFORMANCE OF THE WORK.

DATE 08/31/2012 BY [Signature] MARK SYSTEM

STATE: VERMONT  
TOWN: RICHMOND  
COUNTY: CHITTENDEN  
PROJECT NO.: STP-RS 0284(11)  
HIGHWAY NO.: U.S. ROUTE 2  
PRODUCT NO.: WAB143387AA  
JOINT TYPE: WABO TRANSFLEX

MODEL	DIMENSIONS (IN.)													
	"A"		"B"		"C"				"D"					
	MIN.	MAX.	MIN.	MAX.	MIN.	MAX.	MIN.	MAX.	MIN.	MAX.				
400A	INCHES	mm	INCHES	mm	INCHES	mm	INCHES	mm	INCHES	mm	INCHES	mm		
	21 1/4"	540	25 1/4"	641	17 5/8"	448	21 5/8"	549	2"	51	6"	152	2 1/8"	54

DRAWING ACTION:  
**SUBMITTED FOR APPROVAL**

DATE: 8/10/12

ADDED GUTTER MEMBRANE AS PER REVIEWER'S REQUEST  
REVISED AS PER REVIEWER'S COMMENTS

PROJECT: U.S. ROUTE 2; BRIDGE NO. 24 OVER WINOOSKI RIVER CHITTENDEN COUNTY WABO TRANSFLEX 400-A EXPANSION JOINT DETAILS

DATE: 5/12/12  
DATE: 5/12/12  
DATE: 5/12/12  
DATE: 5/12/12