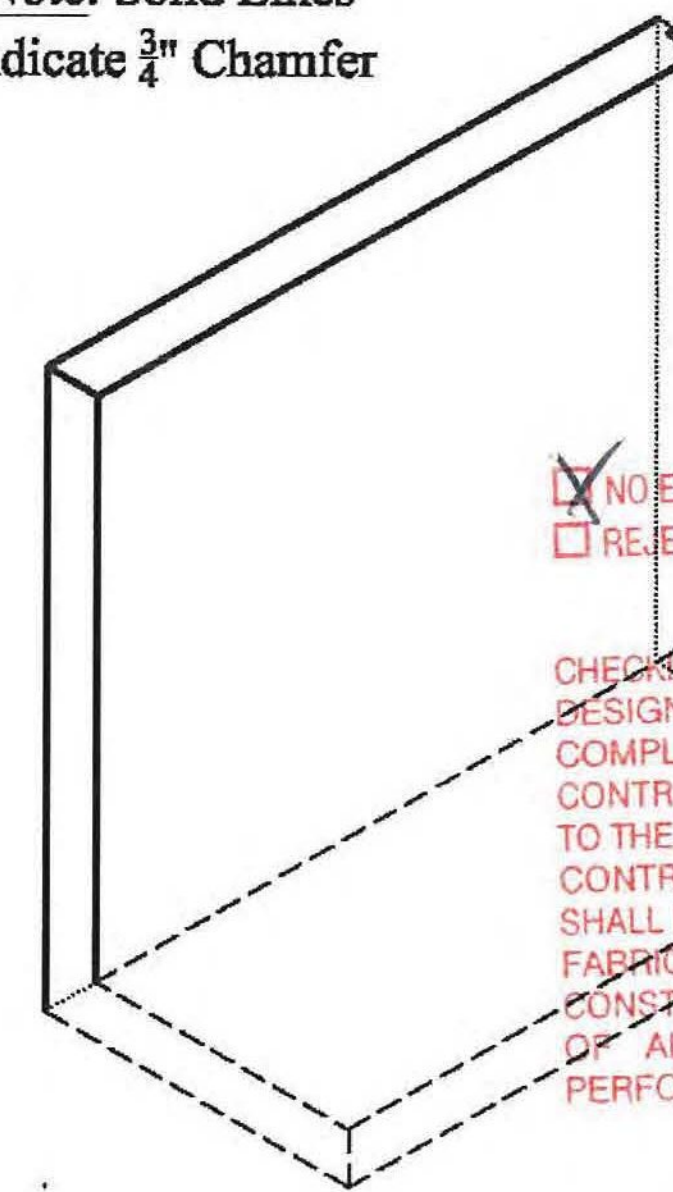
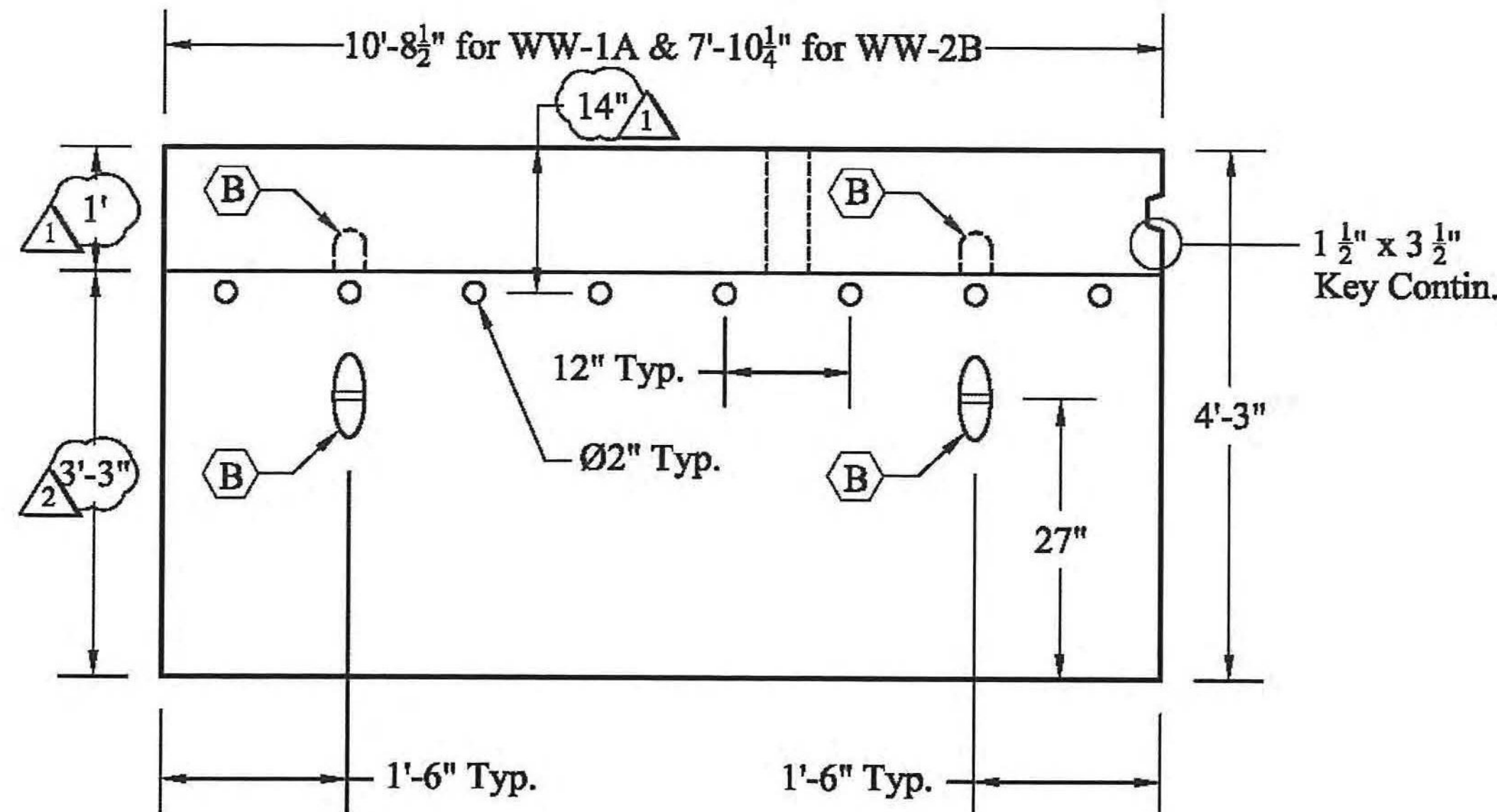


Note: Minimum 2" Cover Unless Noted Otherwise

Note: Minimum 2" Cover Unless Noted Otherwise

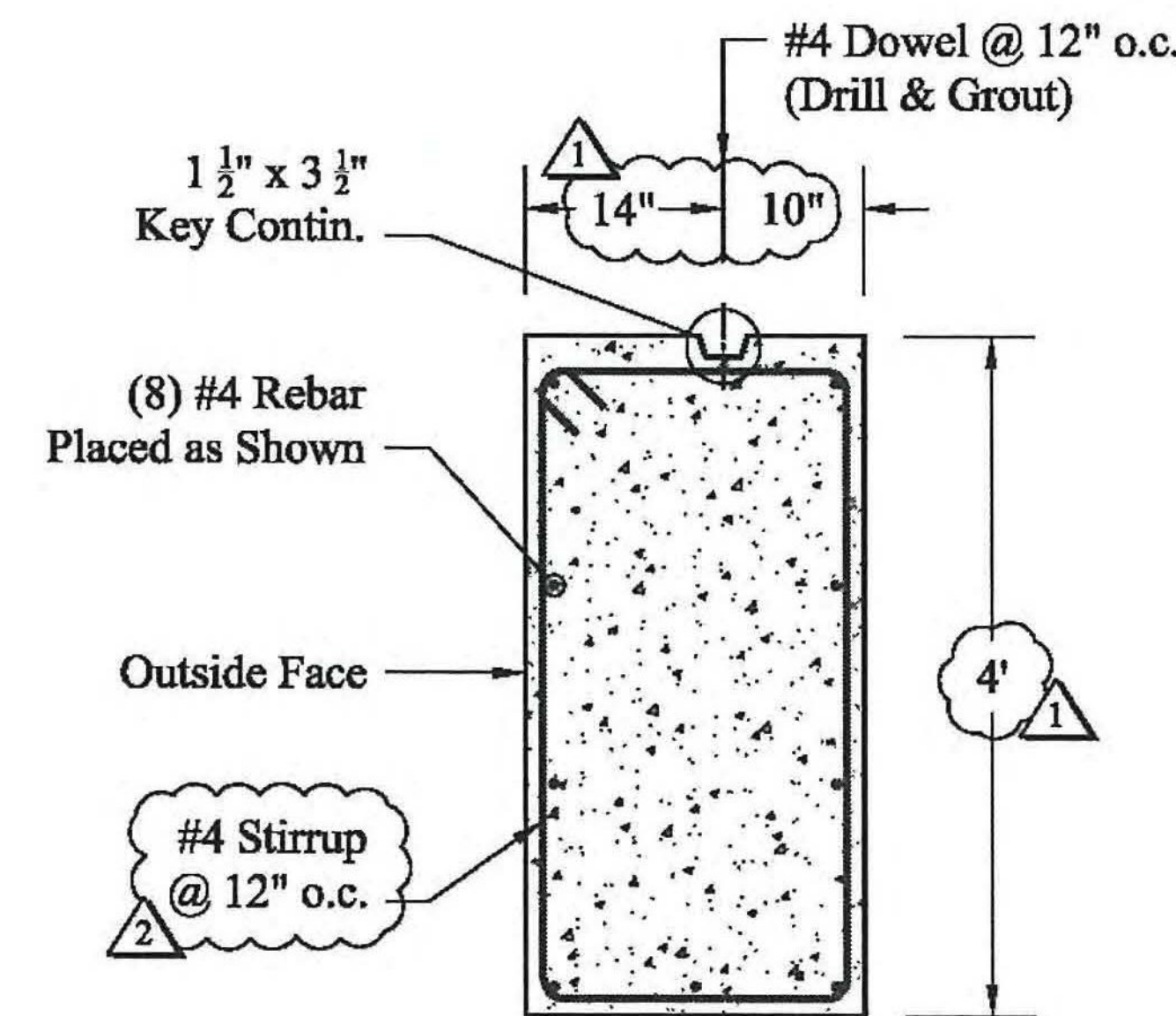
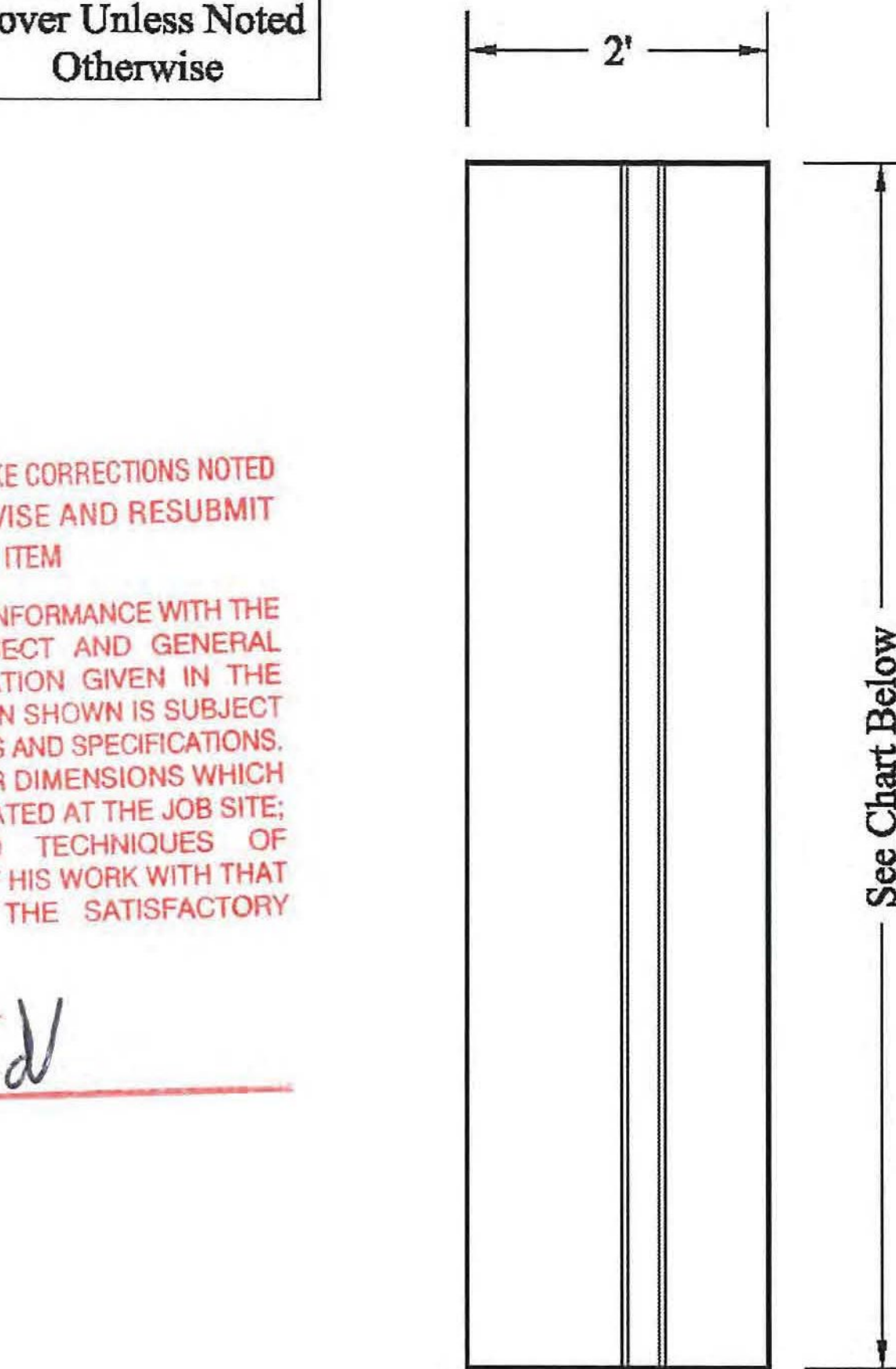
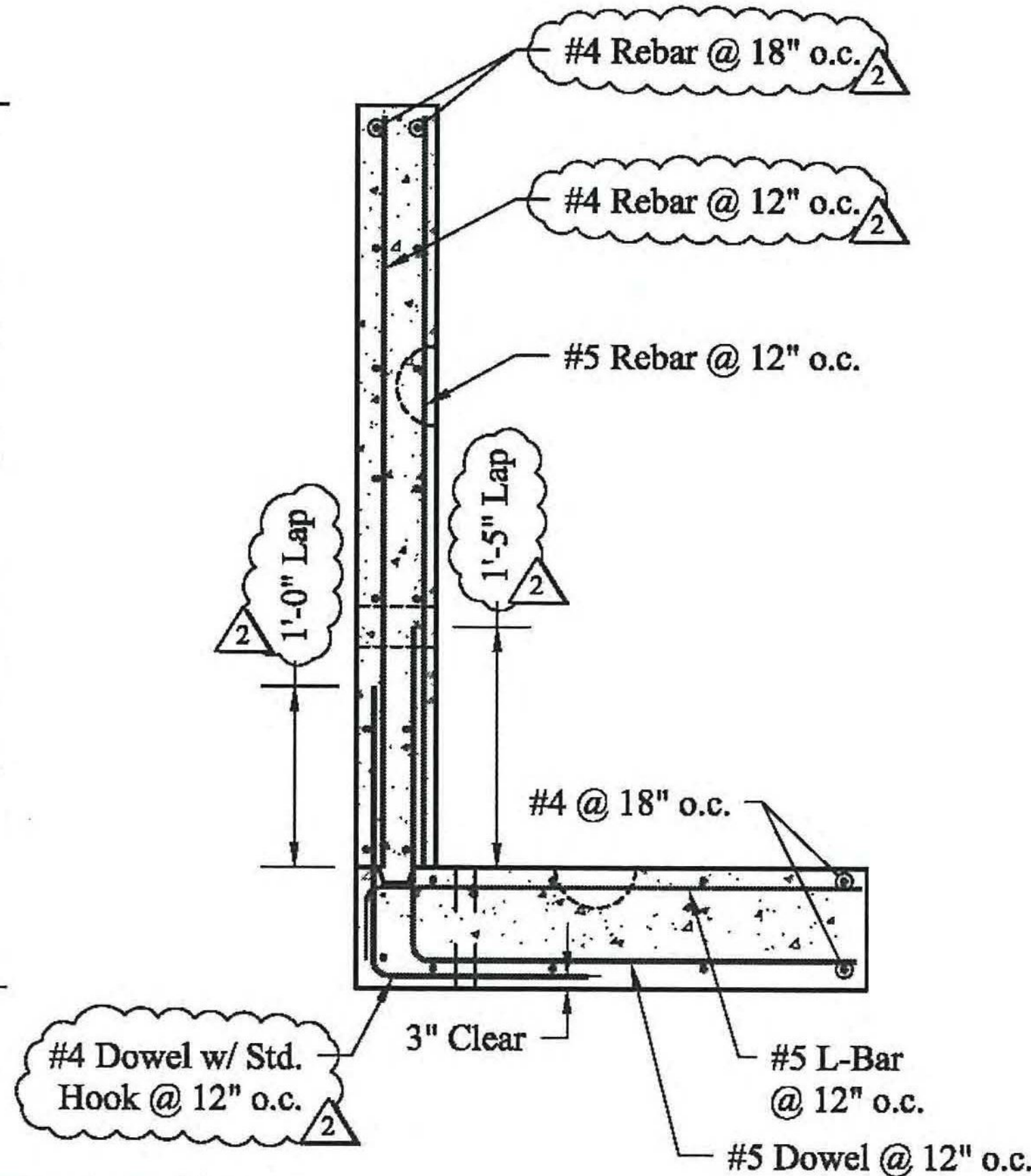
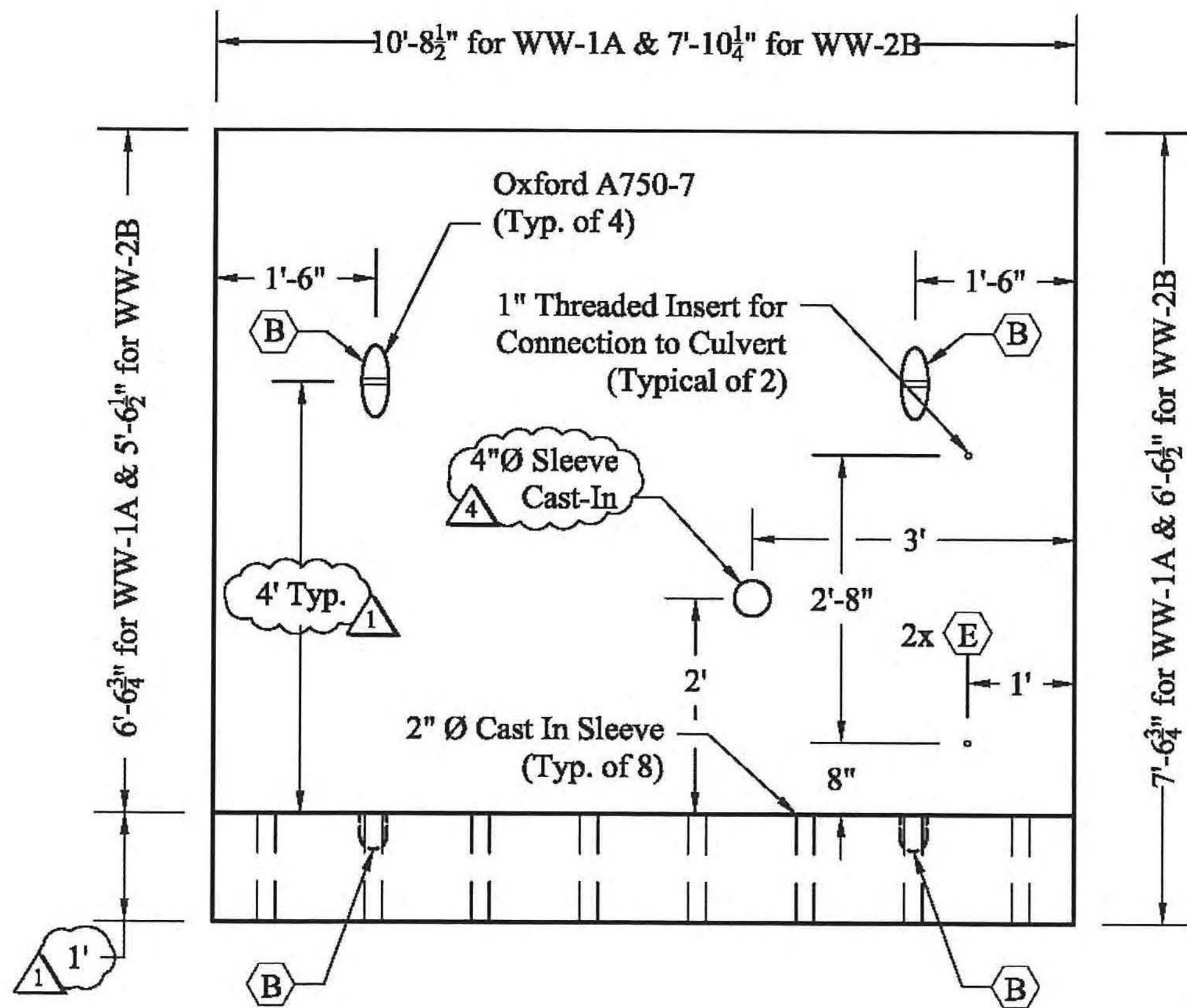
Note: Solid Lines Indicate 3/4" Chamfer



NO EXCEPTION TAKEN
 REJECTED
 MAKE CORRECTIONS NOTED
 REVISE AND RESUBMIT
 SUBMIT SPECIFIED ITEM

CHECKING IS ONLY FOR GENERAL CONFORMANCE WITH THE DESIGN CONCEPT OF THE PROJECT AND GENERAL COMPLIANCE WITH THE INFORMATION GIVEN IN THE CONTRACT DOCUMENTS. ANY ACTION SHOWN IS SUBJECT TO THE REQUIREMENTS OF THE PLANS AND SPECIFICATIONS. CONTRACTOR IS RESPONSIBLE FOR DIMENSIONS WHICH SHALL BE CONFIRMED AND CORRELATED AT THE JOB SITE; FABRICATION PROCESSES AND TECHNIQUES OF CONSTRUCTION; COORDINATION OF HIS WORK WITH THAT OF ALL OTHER TRADES AND THE SATISFACTORY PERFORMANCE OF THE WORK.

DATE 10/22/12 BY CHA/d



Cutoff Wall CW-1 & CW-2

Wingwall Elevation WW-1A/2B

Name	Qty	Length	Vol (CY)	Weight (lbs)
WW-1A	1	10'-8 1/2"	4.29	17,150
WW-2B	1	7'-10 1/4"	2.86	11,420

Name	Qty	Length	Vol (CY)	Weight (lbs)
CW-1A	1	10'-8 1/2"	3.18	12,700
CW-1B	1	8'-3 1/2"	2.46	9,800
CW-1C	1	7'-3 1/2"	2.16	8,650
CW-1D	1	7'-10 1/4"	2.32	9,300
CW-2	2	6'-4"	1.88	7,500



Note: 193 Industrial Ave, Williston, VT 05495
 P.O. Box 2286, South Burlington, VT 05407
 Phone: (802) 658-0201 www.SDIreland.com

This shop drawing represents S.D. Ireland's interpretation of the architects plans and specifications as well as our contract requirements for this project.

Prior to manufacture and production from this drawing all dimensions, methods of construction, and existing conditions must be checked, revised and approved by S.D. Ireland's client.

General Notes:
 1) All Mortar and Control Joints are Assumed to be 1/2"
 2) All lengths stated are actual lengths.
 3) All lengths stated to be verified in the field by others:
 -Not the responsibility of S.D. Ireland
 4) Estimated Heavy Pick at ±19,660 lbs.

Legend:

- (A) Oxford A750-5
- (B) Oxford A750-7
- (C) Angle Bracket, Galvanized
- (D) Patterson Bolt Pocket
- (E) CX-51 1"Øx6" Open Coil Insert #2210
- (F) P.A. Insert Corp. 5/8" Plastic Insert
- (G) 1"Ø Threaded Rod
- (H) 1/2" Washer
- (I) 1"Ø Threaded Nut
- (J) 1"Ø Coil Rod, Galvanized
- (K) 1"Ø Washer, Galvanized
- (L) 1"Ø Coil Nut, Galvanized
- (M) P.A. Insert Corp. 3/4" Plastic Insert



Rev.	Date	By	Description
1	08/22/12	CD	Changes Per State Review
2	09/13/12	CD	Changes Per Engineering Review
3	10/10/12	CD	Per McFarland-Johnson Review
4	10/22/12	CD	Weep Holes Added to Wing Walls

Project Name: STP RS 0284 (11)
 Project Location: Richmond, VT
 Drawing Title: Wing & Cutoff Walls
 Job #: 11707 Date: 11/30/11
 Scale: N.T.S. Page: 4 of 5