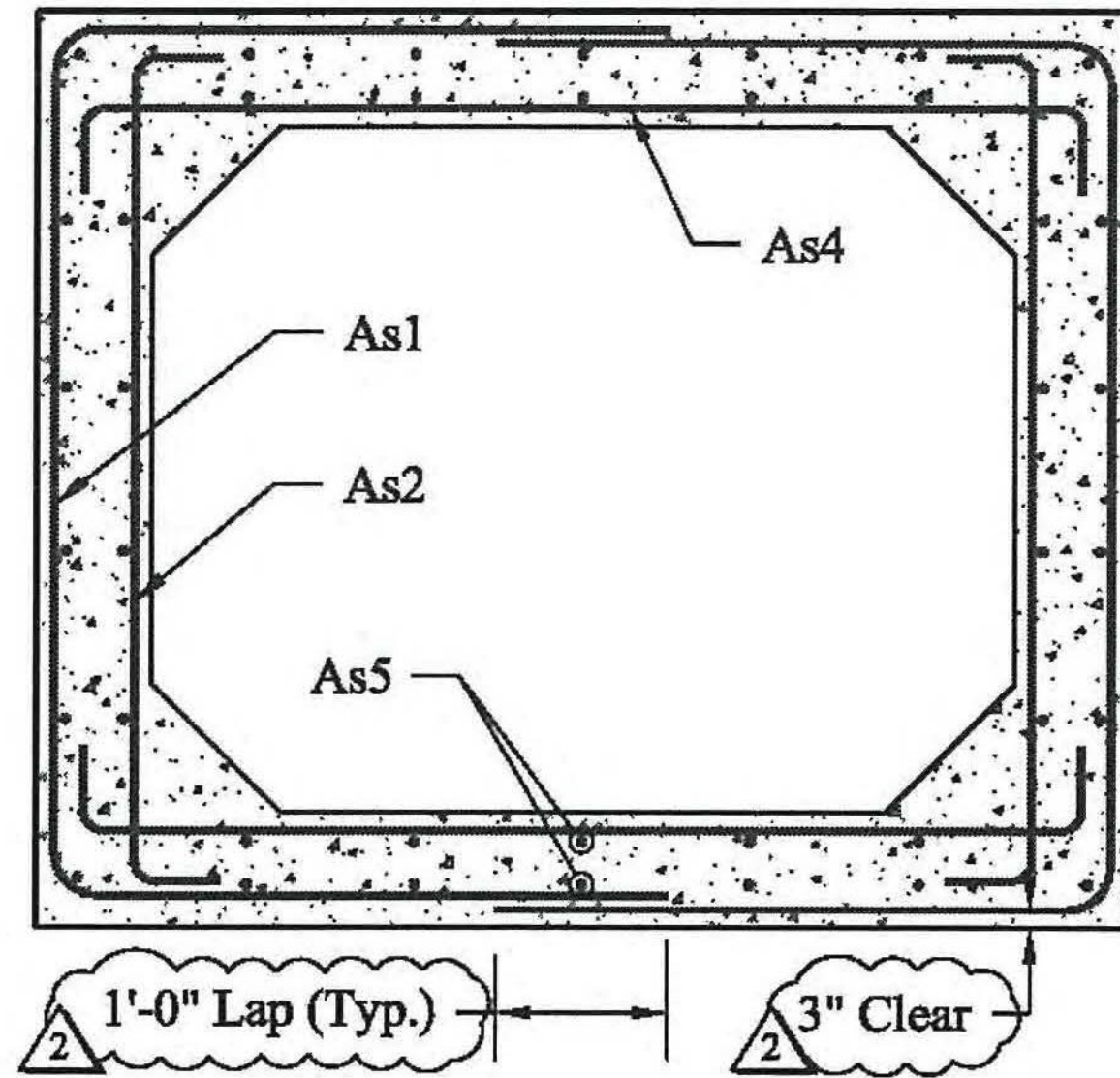
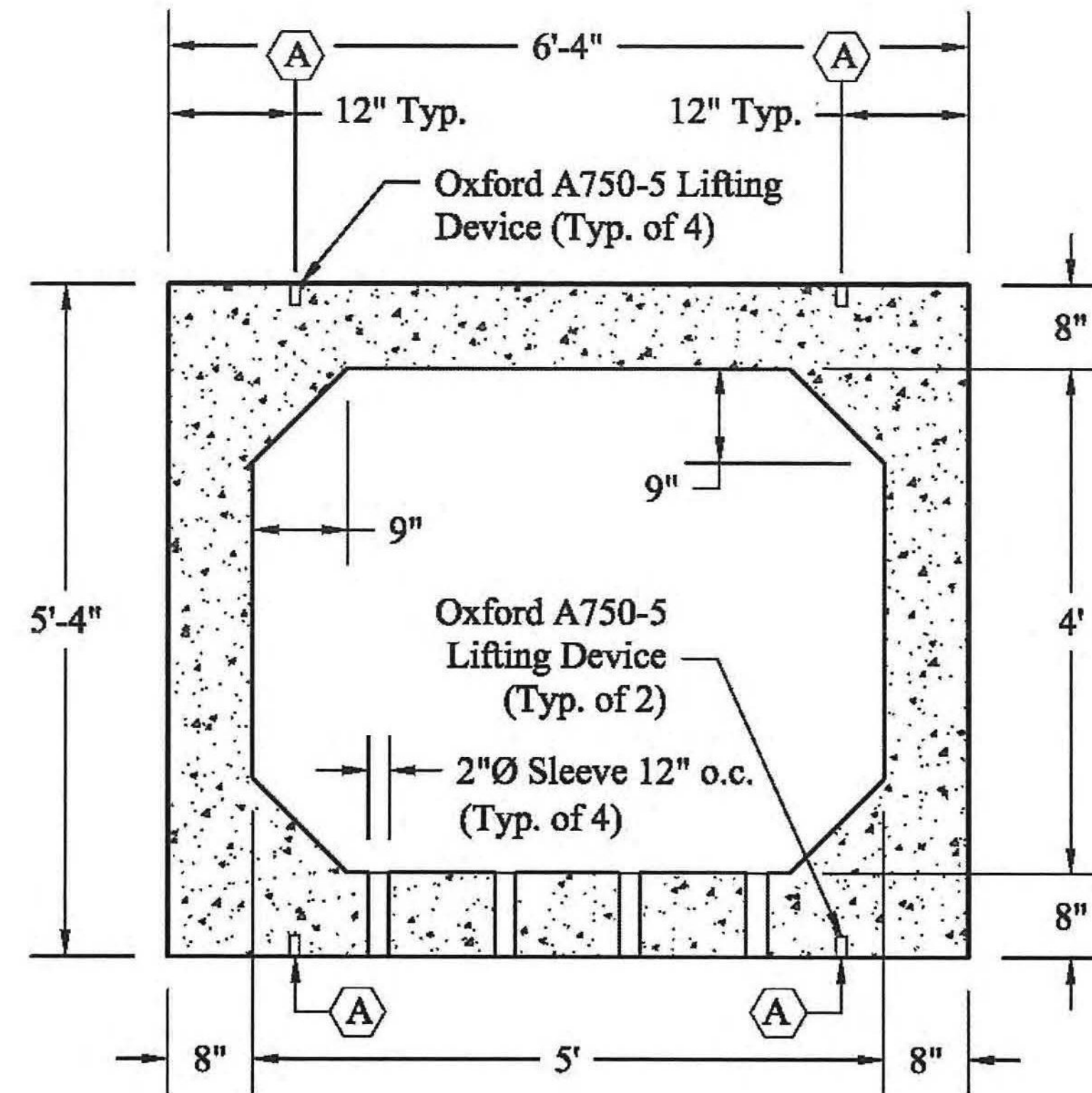


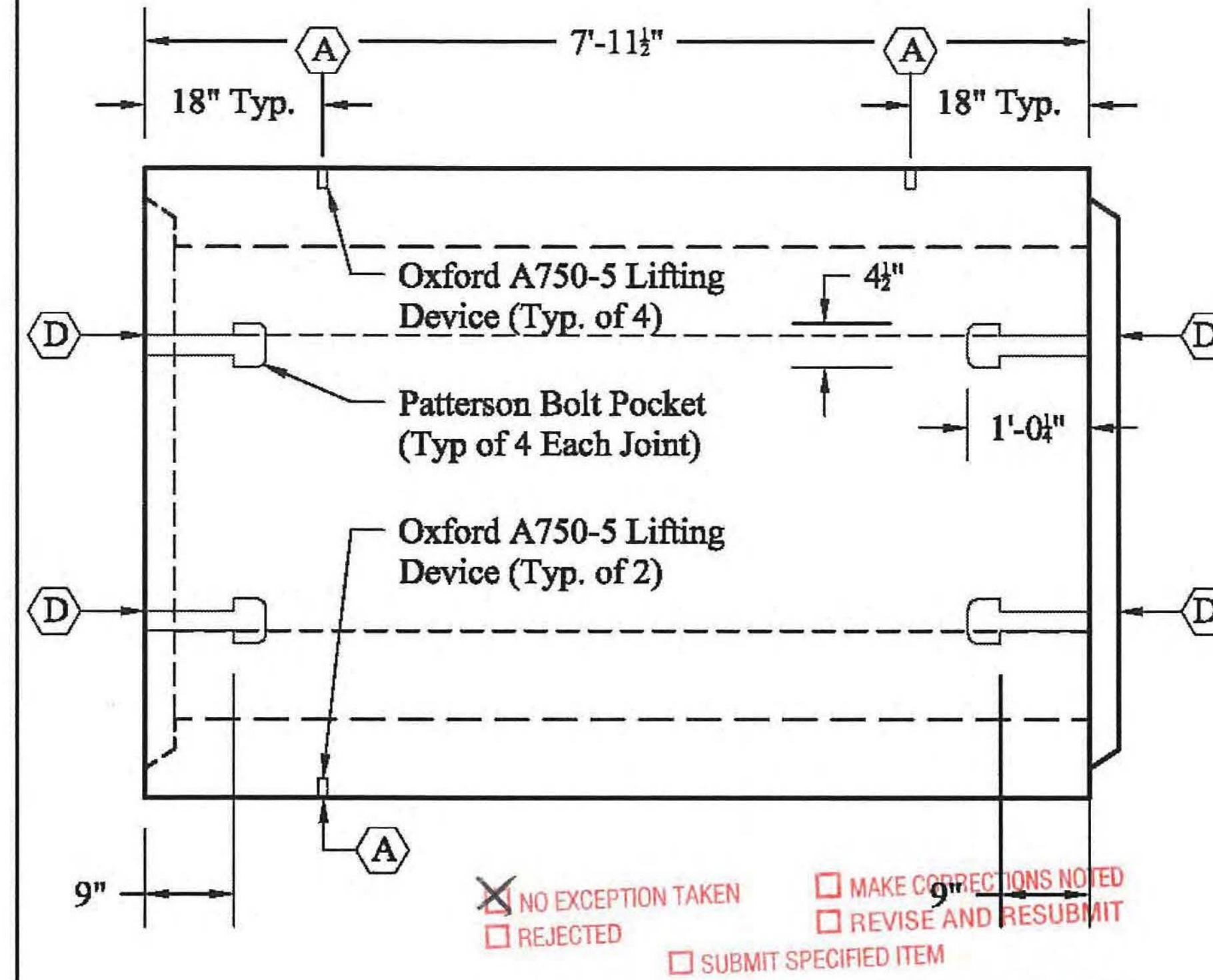
Note: Minimum 2" Cover Unless Noted Otherwise



Typical Reinforcing Section



BC-1 & BC-3 Section

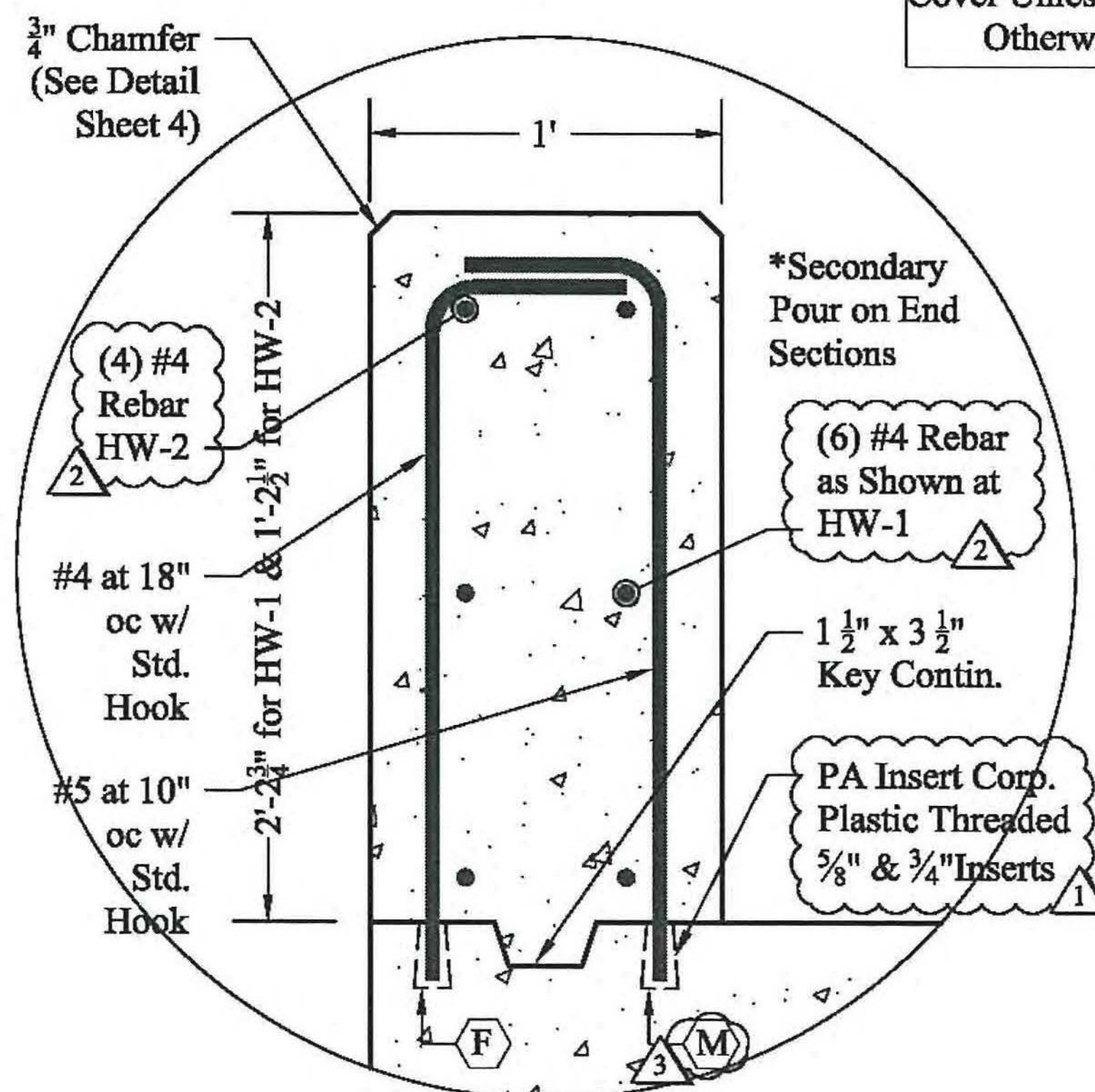


Elevation View BC-2

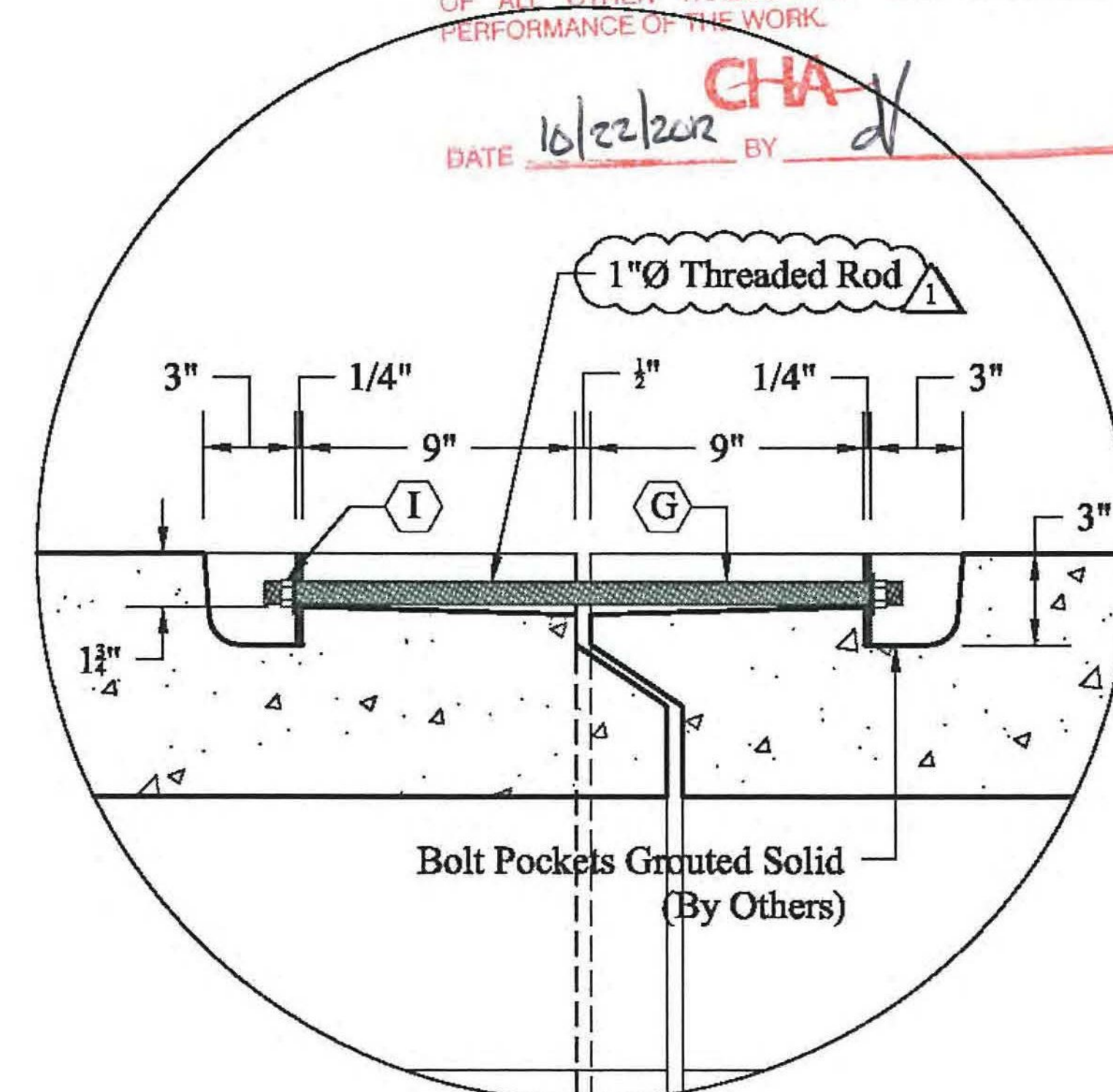
CHECKING IS ONLY FOR GENERAL CONFORMANCE WITH THE DESIGN OF THE PROJECT AND GENERAL COMPLIANCE WITH THE INFORMATION GIVEN IN THE CONTRACT DOCUMENTS. ANY ACTION SHOWN IS SUBJECT TO THE REQUIREMENTS OF THE PLANS AND SPECIFICATIONS. CONTRACTOR IS RESPONSIBLE FOR DIMENSIONS WHICH SHALL BE CONFIRMED AND CORRELATED AT THE JOB SITE. FABRICATION PROCESSES AND TECHNIQUES OF CONSTRUCTION; COORDINATION OF HIS WORK WITH THAT OF ALL OTHER TRADES AND THE SATISFACTORY PERFORMANCE OF THE WORK.

NO EXCEPTION TAKEN
REJECTED
MAKE CORRECTIONS NOTED
REVISE AND RESUBMIT
SUBMIT SPECIFIED ITEM

Note: Minimum 2" Cover Unless Noted Otherwise



Typical Headwall Reinforcing Section



Bolt Pocket & Bolt Connector Detail

Bar Schedule

Mark	Size	Max Spacing	Length	Type	B	C
As1	#5	12"	11'-11"	"U"	3'-6"	4'-11"
As2	#4	12"	5'-11"	Hook	6"	4'-11"
As3	#5	12"	5'-8"	STR	-	-
As4	#5	12"	7'-0"	Hook	6"	6'-0"
As5	#4	18"	7'-7 1/2"	STR	-	-

- Notes:
- Design is in accordance w/ ASTM C1433 and AASHTO Standard Specifications
 - Design Live Load = AASHTO HS-25
 - Earth/Pavement Depth On Box = 3'-3"
 - Concrete Strength = 6,000 psi Min
 - Reinforcing Steel - ASTM A615, Grade 60
 - Materials and Manufacturing shall conform to ASTM C1433



193 Industrial Ave, Williston, VT 05495
P.O. Box 2286, South Burlington, VT 05407
Phone: (802) 658-0201 www.SDIreland.com

Note:
This shop drawing represents S.D. Ireland's interpretation of the architects plans and specifications as well as our contract requirements for this project.

Prior to manufacture and production from this drawing all; dimensions, methods of construction, and existing conditions must be checked, revised and approved by S.D. Ireland's client.

- General Notes:
- All Mortar and Control Joints are Assumed to be 1/2"
 - All lengths stated are actual lengths.
 - All lengths stated to be verified in the field by others: -Not the responsibility of S.D. Ireland
 - Estimated Heavy Pick at ±19,660 lbs.

Legend:

- (A) Oxford A750-5
- (B) Oxford A750-7
- (C) Angle Bracket, Galvanized
- (D) Patterson Bolt Pocket
- (E) CX-51 1"Øx6" Open Coil Insert #2210
- (F) P.A. Insert Corp. 5/8" Plastic Insert
- (G) 1"Ø Threaded Rod
- (H) 1/2" Washer
- (I) 1"Ø Threaded Nut
- (J) 1"Ø Coil Rod, Galvanized
- (K) 1"Ø Washer, Galvanized
- (L) 1"Ø Coil Nut, Galvanized
- (M) P.A. Insert Corp. 3/4" Plastic Insert



Rev.	Date	By	Description
1	08/22/12	CD	Changes Per State Review
2	09/13/12	CD	Changes Per Engineering Review
3	10/10/12	CD	Per McFarland-Johnson Review
4	10/22/12	CD	Weep Holes Added to Wing Walls

Project Name: STP RS 0284 (11)
Project Location: Richmond, VT
Drawing Title: Misc. Sections & Details
Job #: 11707 Date: 11/30/11
Scale: N.T.S. Page: 3 of 5