

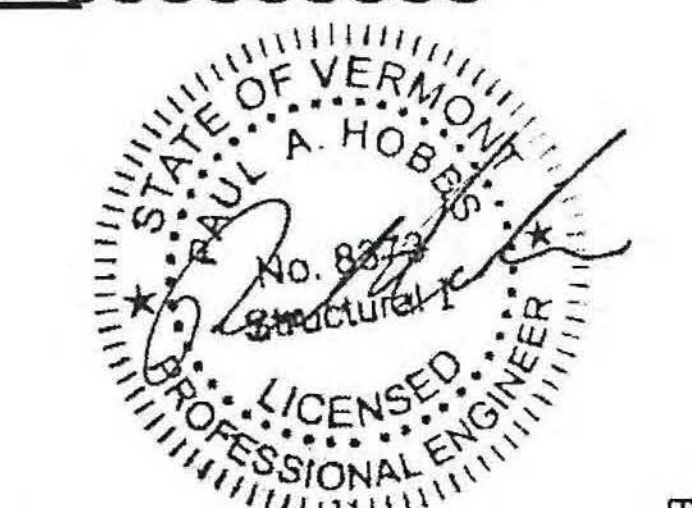
Note:
This shop drawing represents S.D. Ireland's interpretation of the architect's plans and specifications as well as our contract requirements for this project.

Prior to manufacture and production from this drawing all dimensions, methods of construction, and existing conditions must be checked, revised and approved by S.D. Ireland's client.

General Notes:
1) All Mortar and Control Joints are Assumed to be 1/2"
2) All lengths stated are actual lengths.
3) All lengths stated to be verified in the field by others. -Not the responsibility of S.D. Ireland
4) Estimated Heavy Pick at ±19,660 lbs.

Legend:

- (A) Oxford A750-5
- (B) Oxford A750-7
- (C) Angle Bracket, Galvanized
- (D) Patterson Bolt Pocket
- (E) CX-51 1"Øx6" Open Coil Insert #2210
- (F) P.A. Insert Corp. 3/5/8" Plastic Insert
- (G) 1"Ø Threaded Rod
- (H) 1/2" Washer
- (I) 1"Ø Threaded Nut
- (J) 1"Ø Coil Rod, Galvanized
- (K) 1"Ø Washer, Galvanized
- (L) 1"Ø Coil Nut, Galvanized
- (M) P.A. Insert Corp. 3/4" Plastic Insert

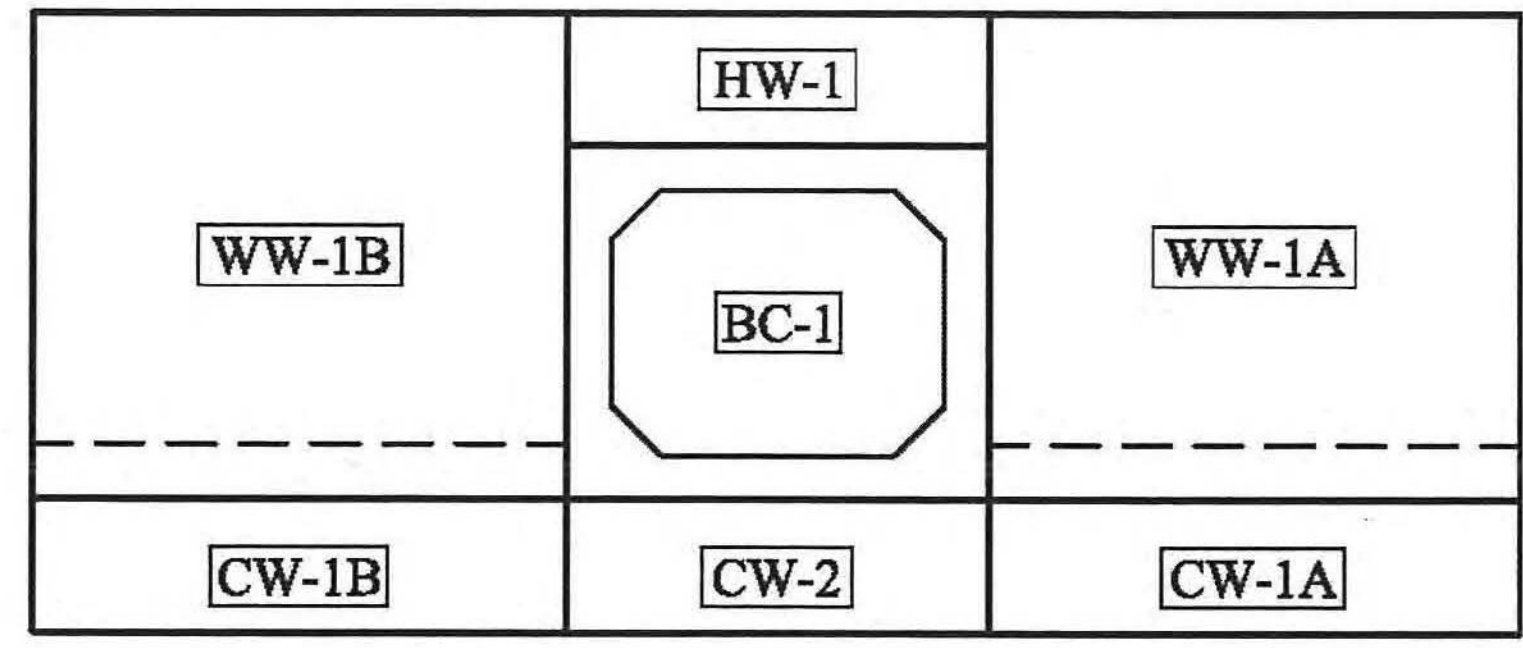


Rev.	Date	By	Description
1	08/22/12	CD	Changes Per State Review
2	09/13/12	CD	Changes Per Engineering Review
3	10/19/12	CD	Per McFarland-Johnson Review
4	10/22/12	CD	Weep Holes Added to Wing Walls

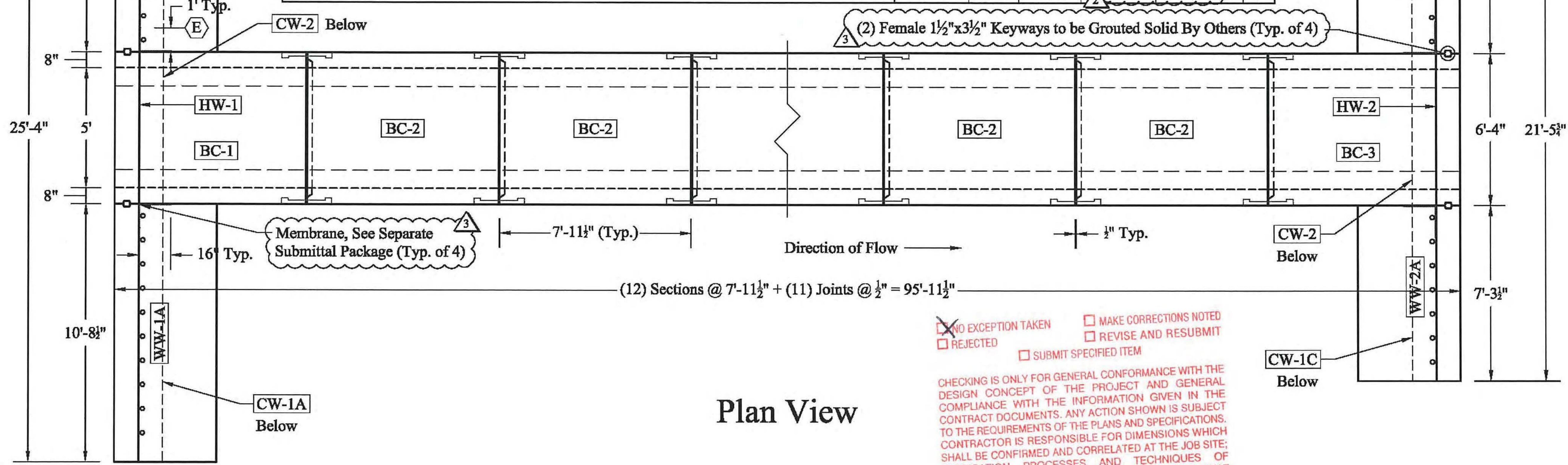
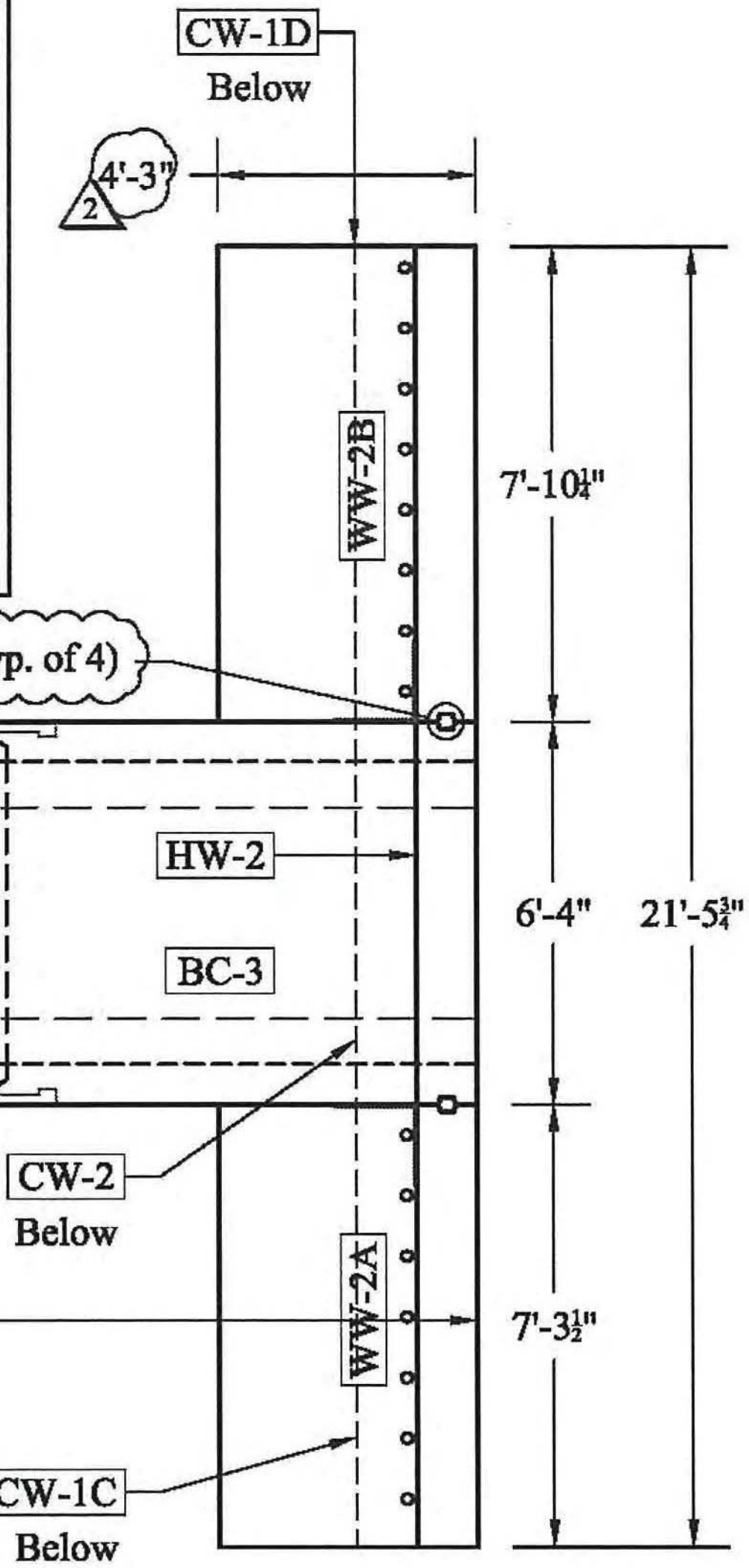
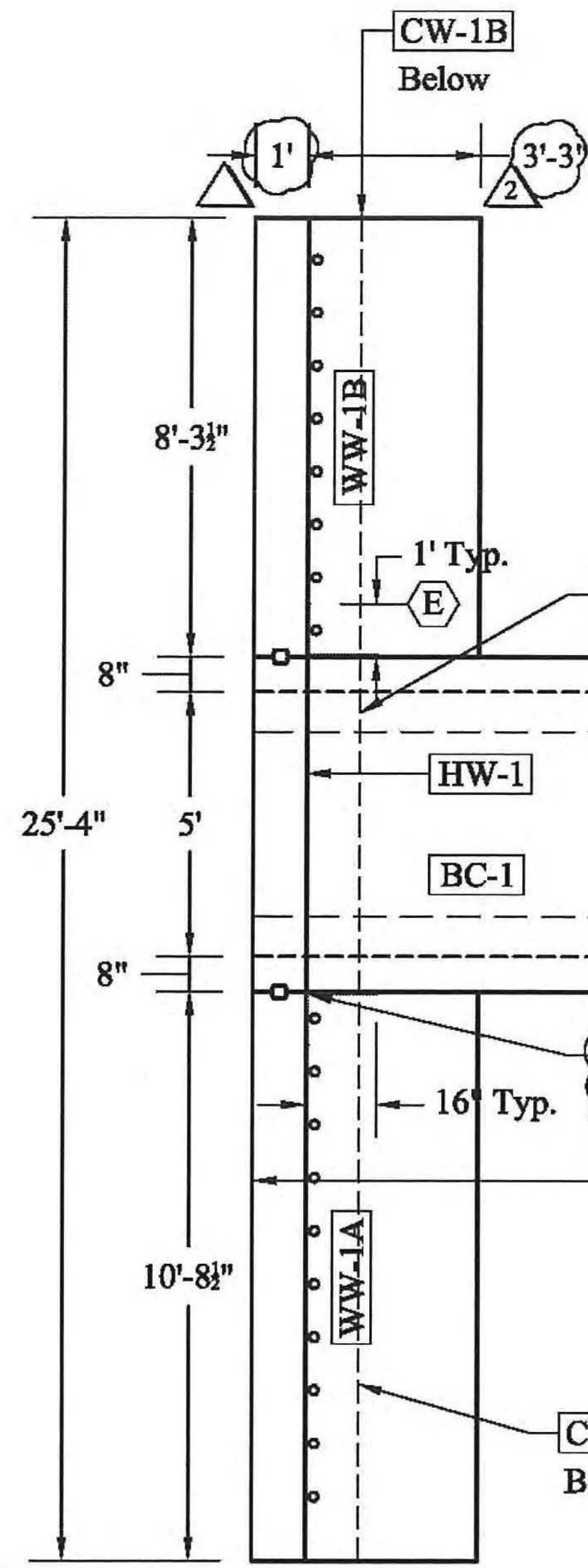
Project Name: **STP RS 0284 (11)**
Project Location: **Richmond, VT**
Drawing Title: **Precast Concrete Culvert**
Job #: **11707** Date: **11/30/11**
Scale: **N.T.S.** Page: **2 of 5**

Name	Qty	Length	Vol (CY)	Weight (lbs)**
BC-1*	1	7'-11 1/2"	4.91	19,660
BC-2	10	7'-11 1/2"	4.39	17,570
BC-3*	1	7'-11 1/2"	4.67	18,700
CW-1A	1	10'-8 1/2"	3.18	12,700
CW-1B	1	8'-3 1/2"	2.46	9,800
CW-1C	1	7'-3 1/2"	2.16	8,650
CW-1D	1	7'-10 1/4"	2.32	9,300
CW-2	2	6'-4"	1.88	7,500
WW-1A	1	10'-8 1/2"	4.29	17,150
WW-1B	1	8'-3 1/2"	3.32	13,280
WW-2A	1	7'-3 1/2"	2.64	10,575
WW-2B	1	7'-10 1/4"	2.86	11,420

**Weights May Vary
* Headwalls Included In BC-1 & BC-3



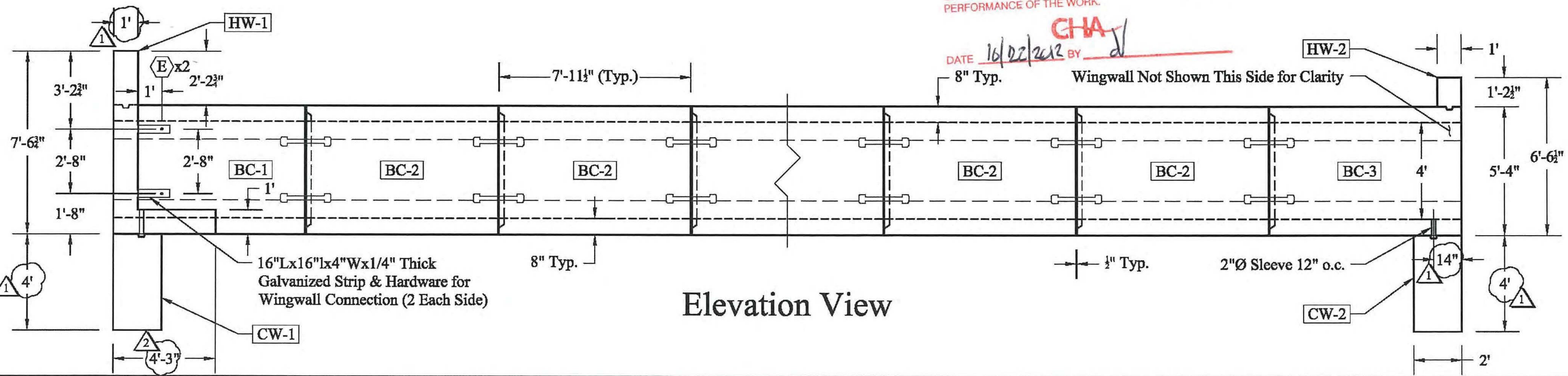
BC-1 End View



Plan View

NO EXCEPTION TAKEN
REJECTED
MAKE CORRECTIONS NOTED
REVISE AND RESUBMIT
SUBMIT SPECIFIED ITEM

CHECKING IS ONLY FOR GENERAL CONFORMANCE WITH THE DESIGN CONCEPT OF THE PROJECT AND GENERAL COMPLIANCE WITH THE INFORMATION GIVEN IN THE CONTRACT DOCUMENTS. ANY ACTION SHOWN IS SUBJECT TO THE REQUIREMENTS OF THE PLANS AND SPECIFICATIONS. CONTRACTOR IS RESPONSIBLE FOR DIMENSIONS WHICH SHALL BE CONFIRMED AND CORRELATED AT THE JOB SITE; FABRICATION PROCESSES AND TECHNIQUES OF CONSTRUCTION; COORDINATION OF HIS WORK WITH THAT OF ALL OTHER TRADES AND THE SATISFACTORY PERFORMANCE OF THE WORK.



Elevation View

DATE 10/02/2012 BY [Signature]

Wingwall Not Shown This Side for Clarity