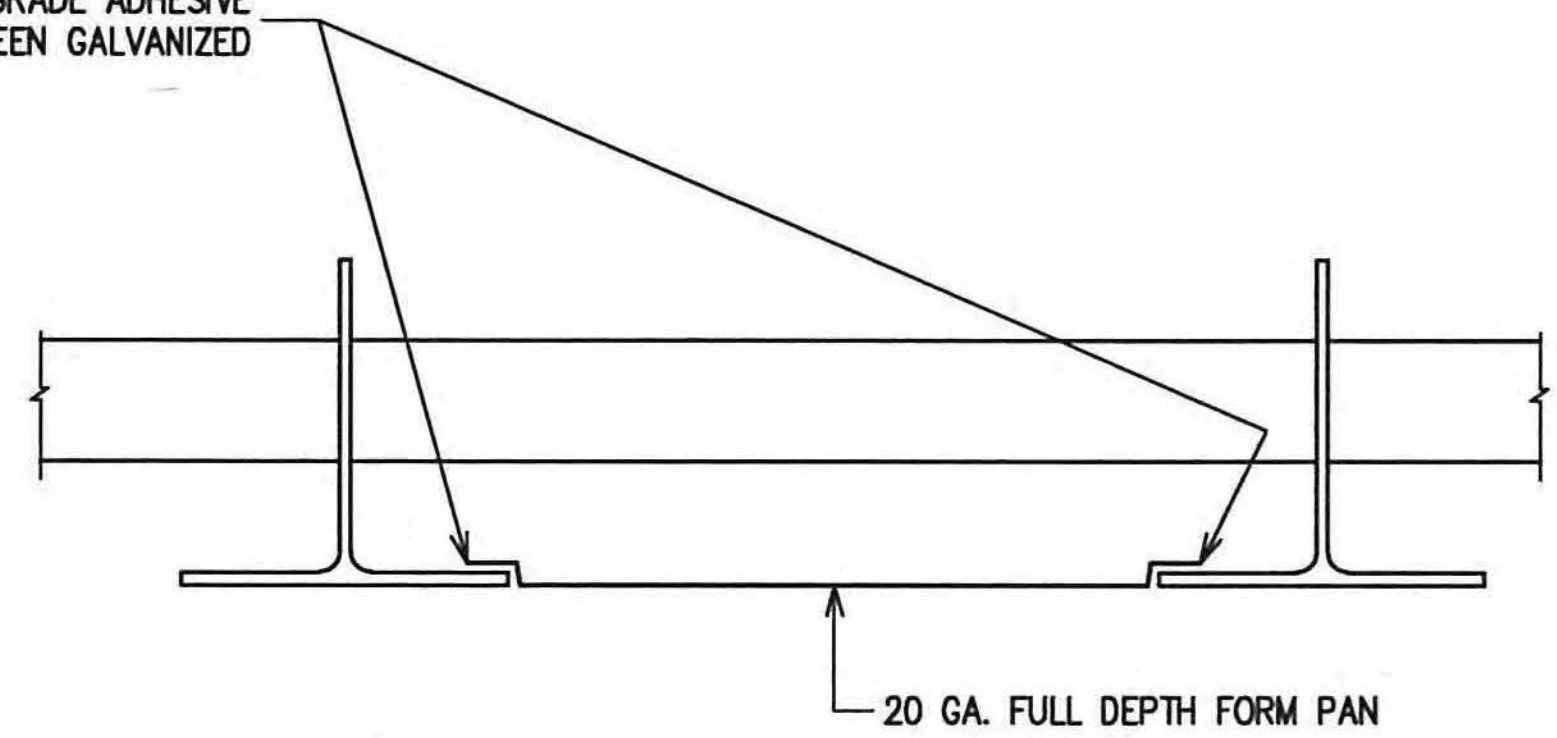


PLAN VIEW

CONTRACTOR TO SEAL ANY VISIBLE GAPS BETWEEN TEE WEB AND FLAT PANS TO PREVENT LEAKAGE PRIOR TO PORING CONCRETE.

SEAL EDGES WITH CONSTRUCTION GRADE ADHESIVE AFTER PANELS HAVE BEEN GALVANIZED



FORM PAN INSTALLATION DETAIL AT FULL DEPTH CONCRETE AREAS

- NO EXCEPTION TAKEN
- REJECTED
- MAKE CORRECTIONS NOTED
- REVISE AND RESUBMIT
- SUBMIT SPECIFIED ITEM

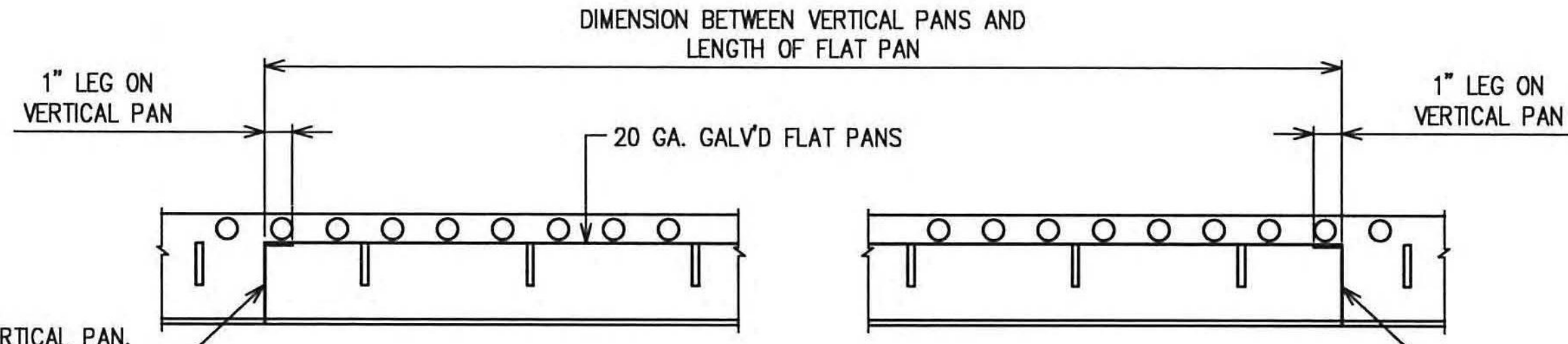
CHECKING IS ONLY FOR GENERAL CONFORMANCE WITH THE DESIGN CONCEPT OF THE PROJECT AND GENERAL COMPLIANCE WITH THE INFORMATION GIVEN IN THE CONTRACT DOCUMENTS. ANY ACTION SHOWN IS SUBJECT TO THE REQUIREMENTS OF THE PLANS AND SPECIFICATIONS. CONTRACTOR IS RESPONSIBLE FOR DIMENSIONS WHICH SHALL BE CONFIRMED AND CORRELATED AT THE JOB SITE; FABRICATION PROCESSES AND TECHNIQUES OF CONSTRUCTION; COORDINATION OF HIS WORK WITH THAT OF ALL OTHER TRADES AND THE SATISFACTORY PERFORMANCE OF THE WORK.

DATE 4/2/12 BY CHA

REVISION LOG		
NO.	DATE	DESCRIPTION
1		
2		
3		
4		
5		

CUSTOMER:
HARRISON & BURROWES

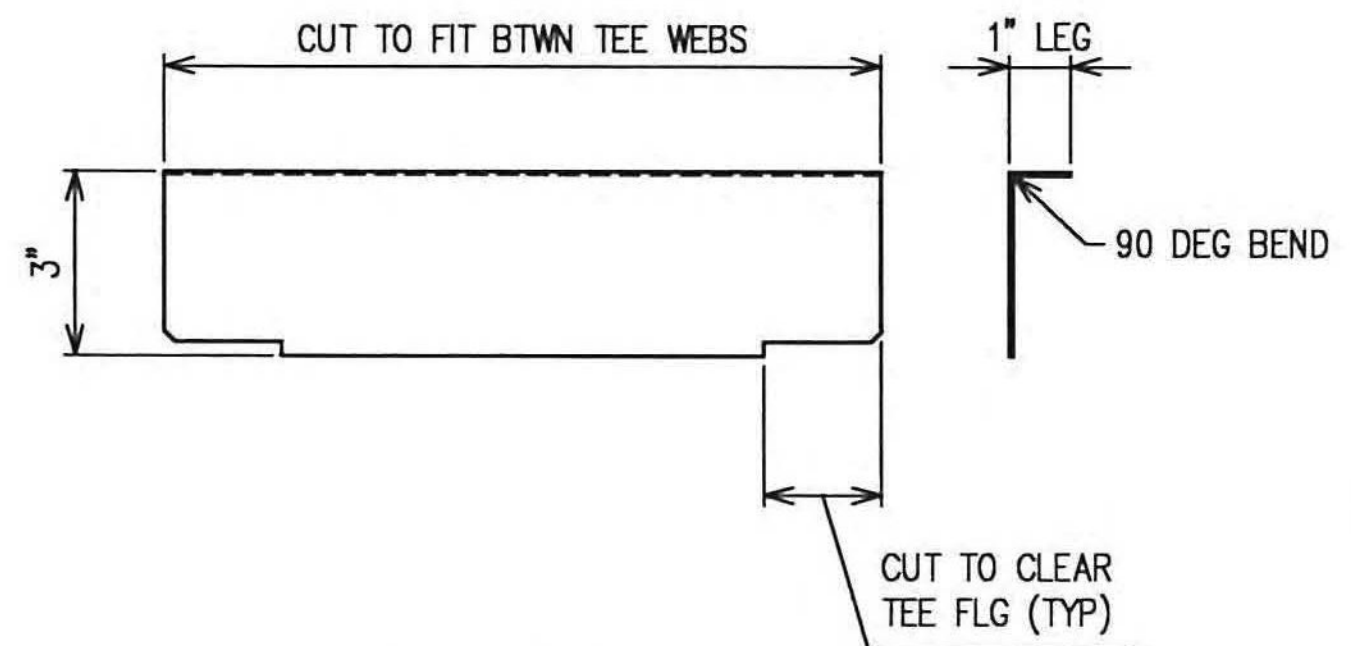
PROJECT:
**VERMONT AGENCY OF TRANSPORTATION
TOWN OF RICHMOND, COUNTY OF CHITTENDEN
U.S. ROUTE 2, BRIDGE NO. 24
WBS 1-16 BRIDGE DESIGN
EXODERMIC GRID DECK**



SECTION A-A

20 GA. GALV'D VERTICAL PAN. INSTALL AFTER GALV'G. SECURE TO TEE WEB AND FLANGE WITH CONSTRUCTION GRADE ADHESIVE

TYPICAL FORM PAN INSTALLATION DETAIL



VERTICAL PAN DETAIL

CLEARSPAN CONSTRUCTION PRODUCTS
P.O. BOX 12708 PITTSBURGH, PA. 15241
PHONE: (412)-445-2765
FAX: (412)-341-2846

DRAWING NO.	REV. NO.
2	0

DRAWN	DATE	CHECKED	DATE	APPROVAL DATE
RLP	11/12	NC	1/12	XXXXXXXXXX