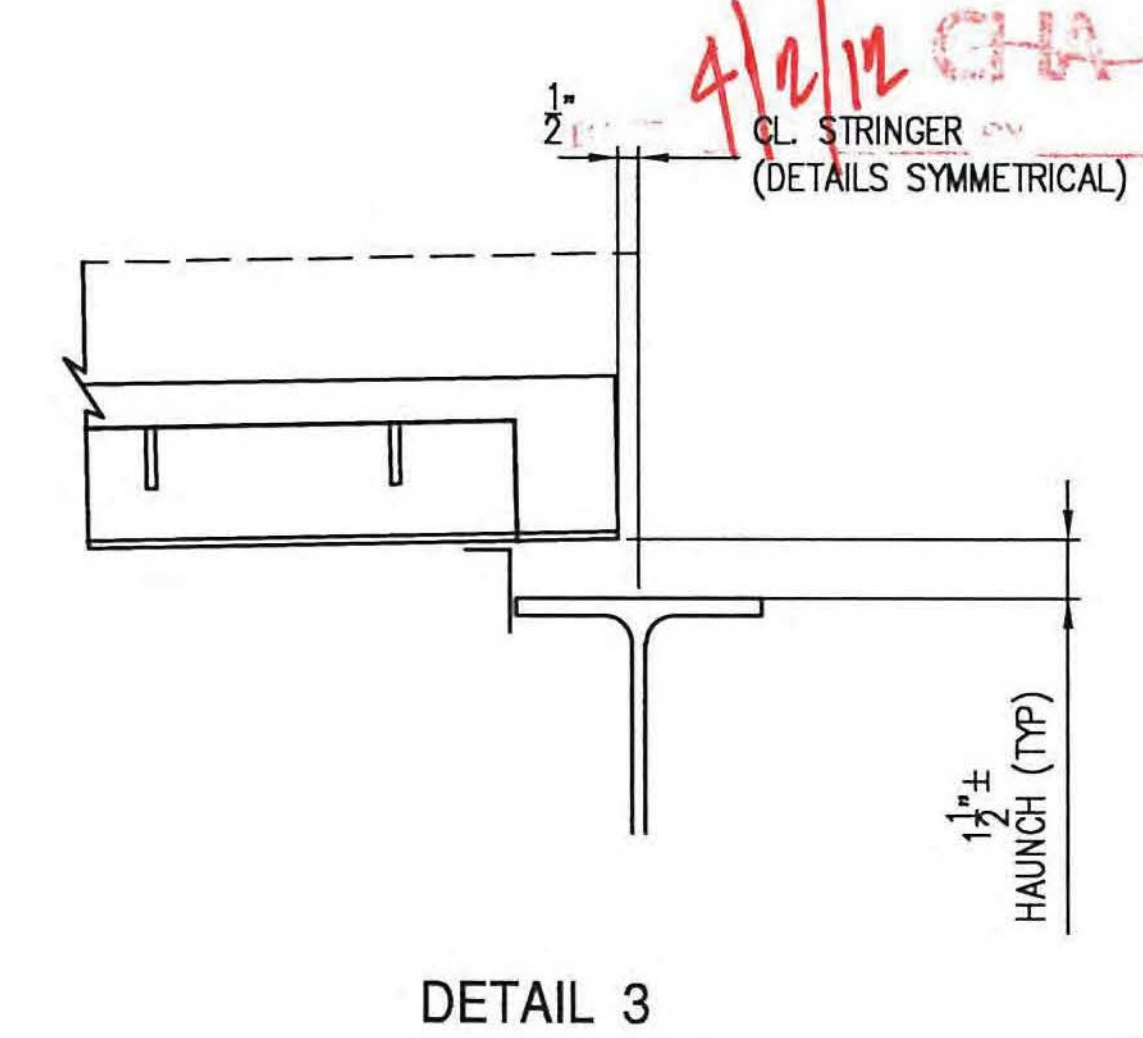
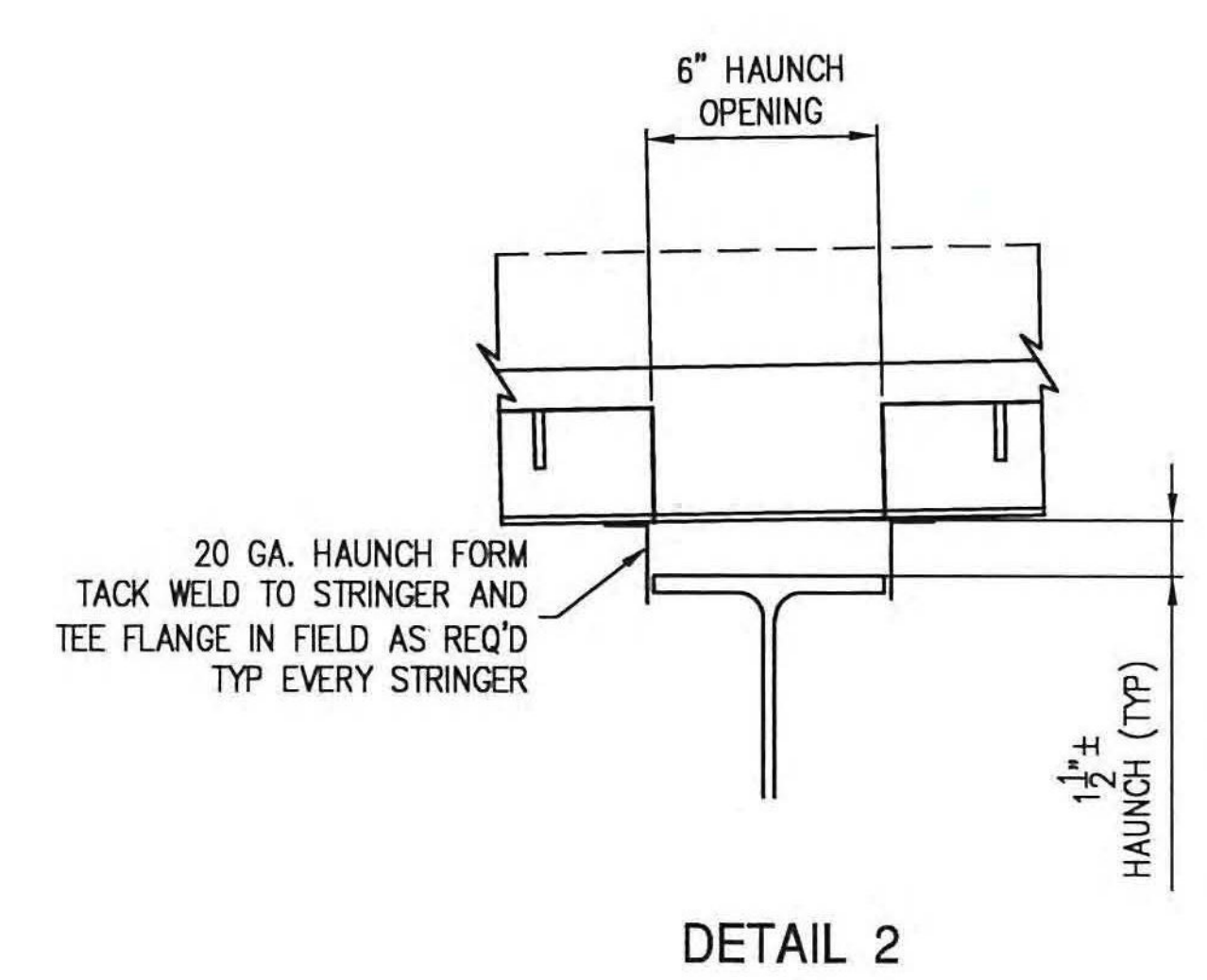
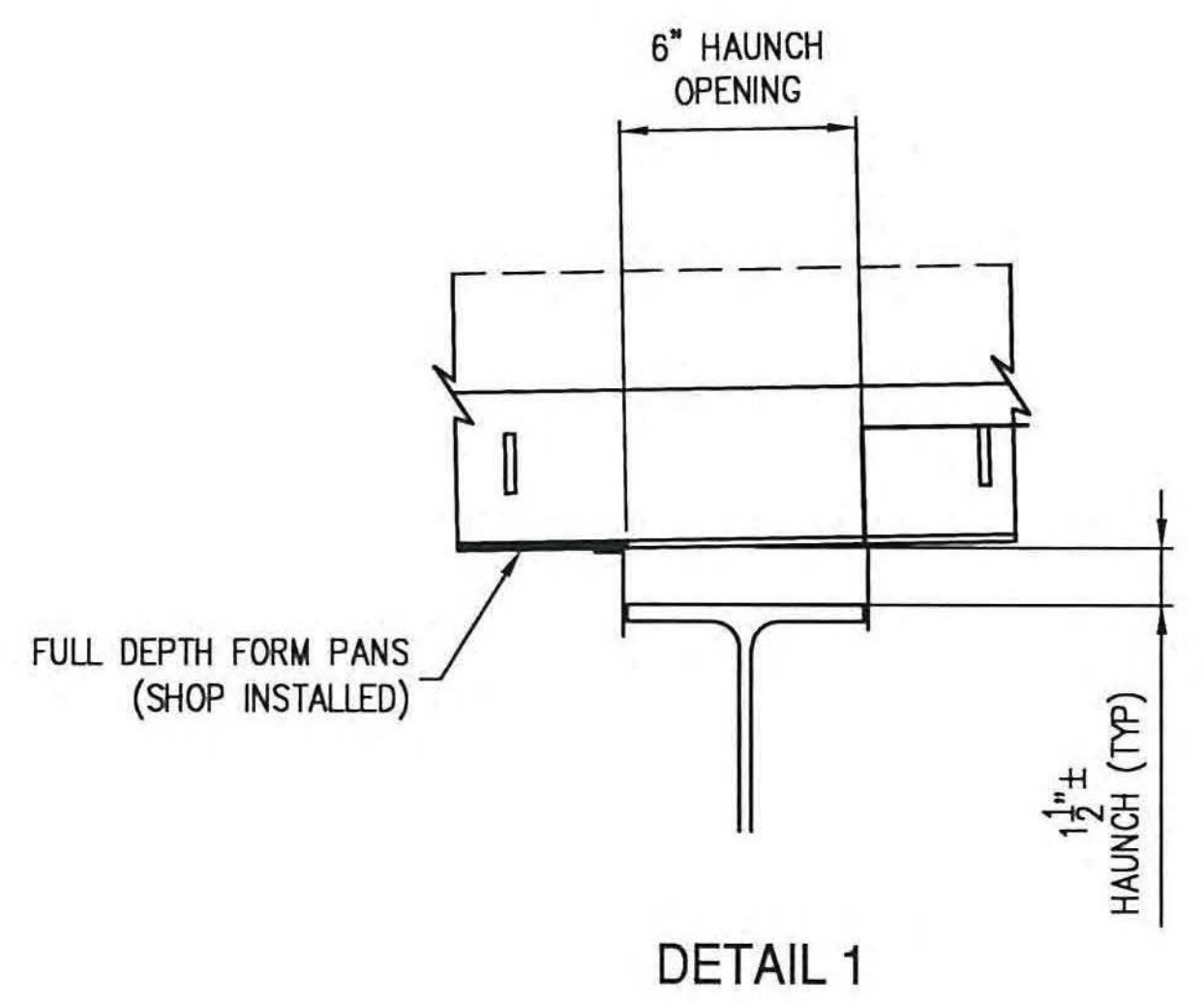


TYPICAL HALF SECTION THRU DECK

NO EXCEPTION TAKEN
 REJECTED
 MAKE CORRECTIONS NOTED
 REVISE AND RESUBMIT
 SUBMIT SPECIFIED ITEM

CHECKING IS ONLY FOR GENERAL CONFORMANCE WITH THE DESIGN CONCEPT OF THE PROJECT AND GENERAL COMPLIANCE WITH THE INFORMATION GIVEN IN THE CONTRACT DOCUMENTS. ANY ACTION SHOWN IS SUBJECT TO THE REQUIREMENTS OF THE PLANS AND SPECIFICATIONS. CONTRACTOR IS RESPONSIBLE FOR DIMENSIONS WHICH SHALL BE CONFIRMED AND CORRELATED AT THE JOB SITE; FABRICATION PROCESSES AND TECHNIQUES OF CONSTRUCTION; COORDINATION OF HIS WORK WITH THAT OF ALL OTHER TRADES AND THE SATISFACTORY PERFORMANCE OF THE WORK.



4/12/20
 CL. STRINGER (DETAILS SYMMETRICAL)

REVISION LOG		
NO.	DATE	DESCRIPTION

CUSTOMER:
HARRISON & BURROWES

PROJECT:
VERMONT AGENCY OF TRANSPORTATION
TOWN OF RICHMOND, COUNTY OF CHITTENDEN
U.S. ROUTE 2, BRIDGE NO. 24
WBS 1-16 BRIDGE DESIGN
STEEL GRID DECK

CLEARSPAN CONSTRUCTION PRODUCTS
 P.O. BOX 12708 PITTSBURGH, PA. 15241
 PHONE: (412)-445-2765
 FAX: (412)-341-2846

DRAWING NO.	REV. NO.
E3	0

DRAWN	DATE	CHECKED	DATE	APPROVAL DATE
RLP	7/26/08	NC	7/26	XXXXXXXXXX