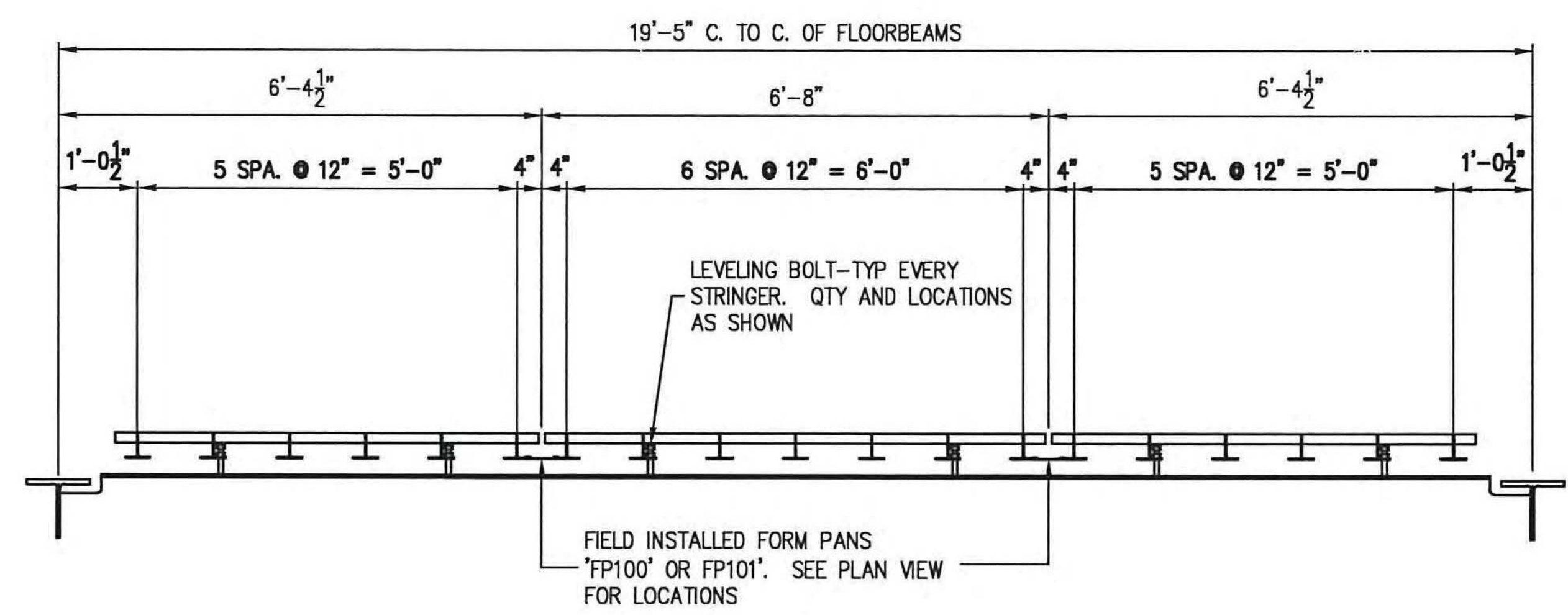
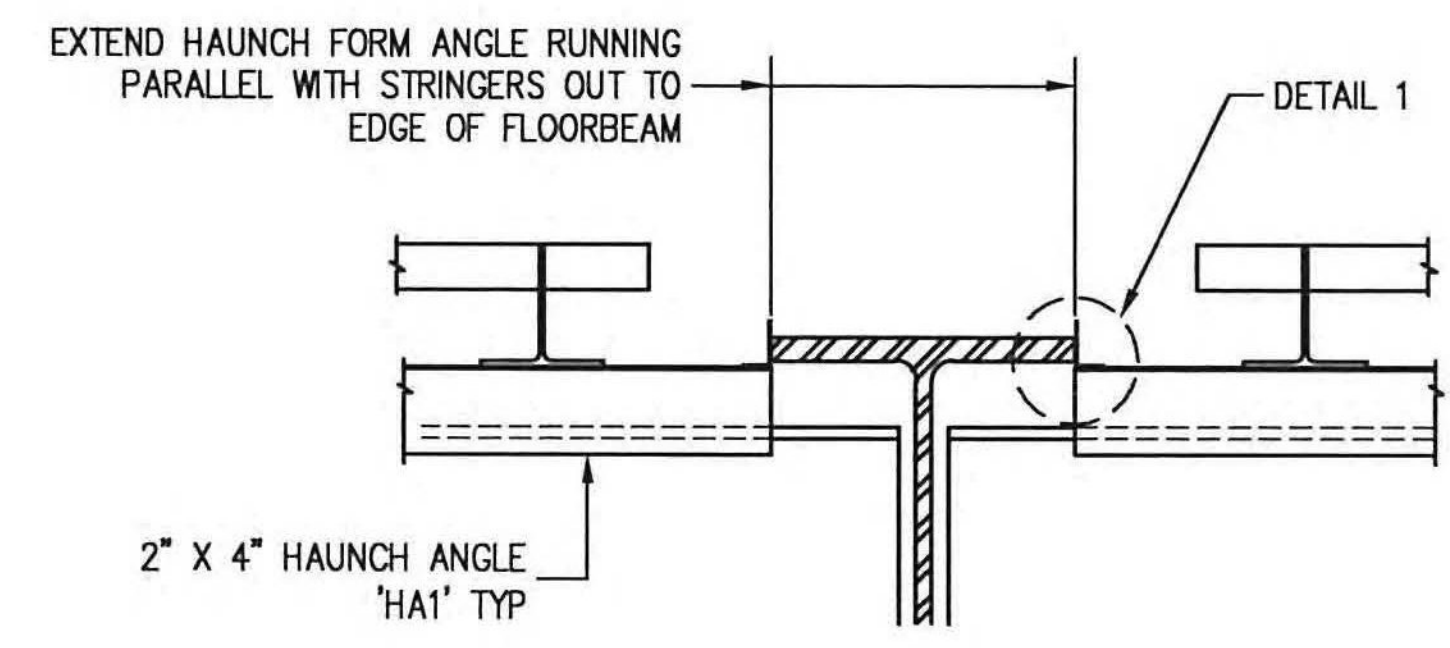


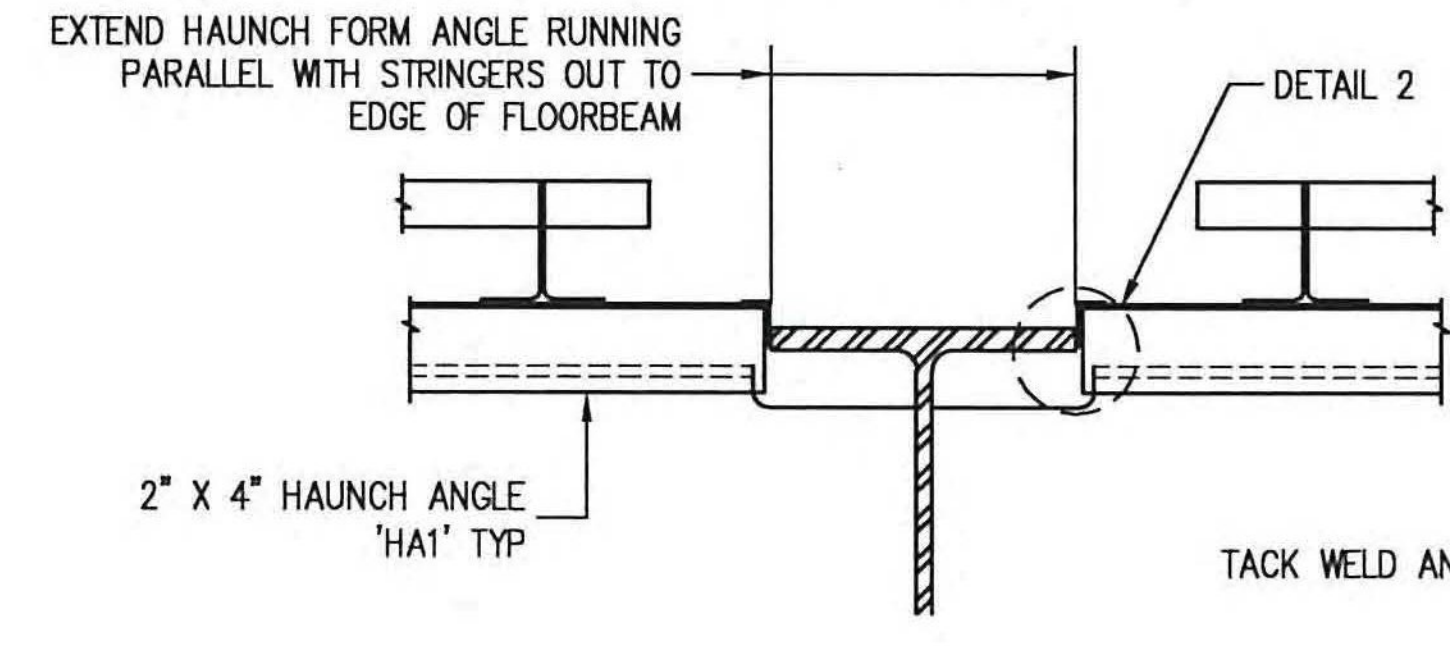
PLAN VIEW - TYPICAL PANEL LAYOUT



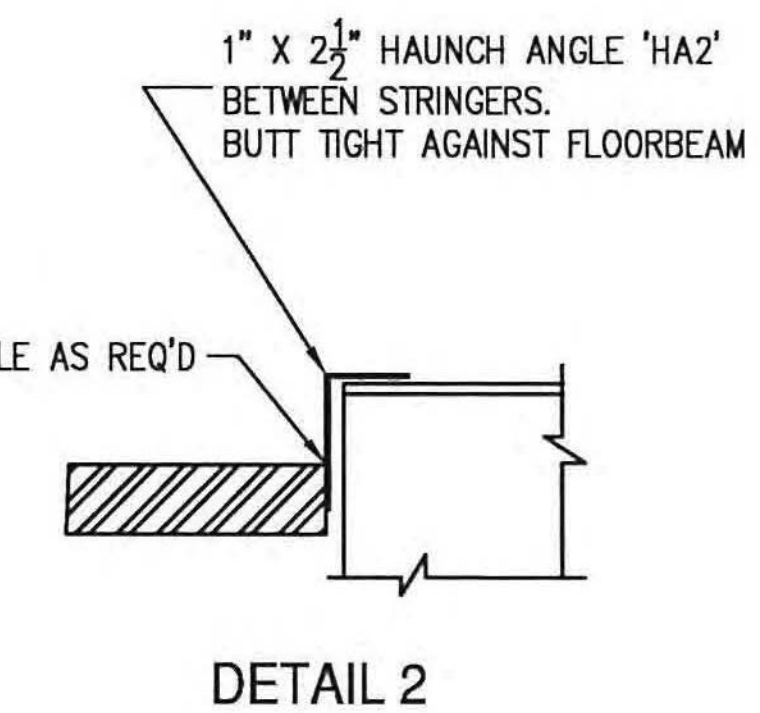
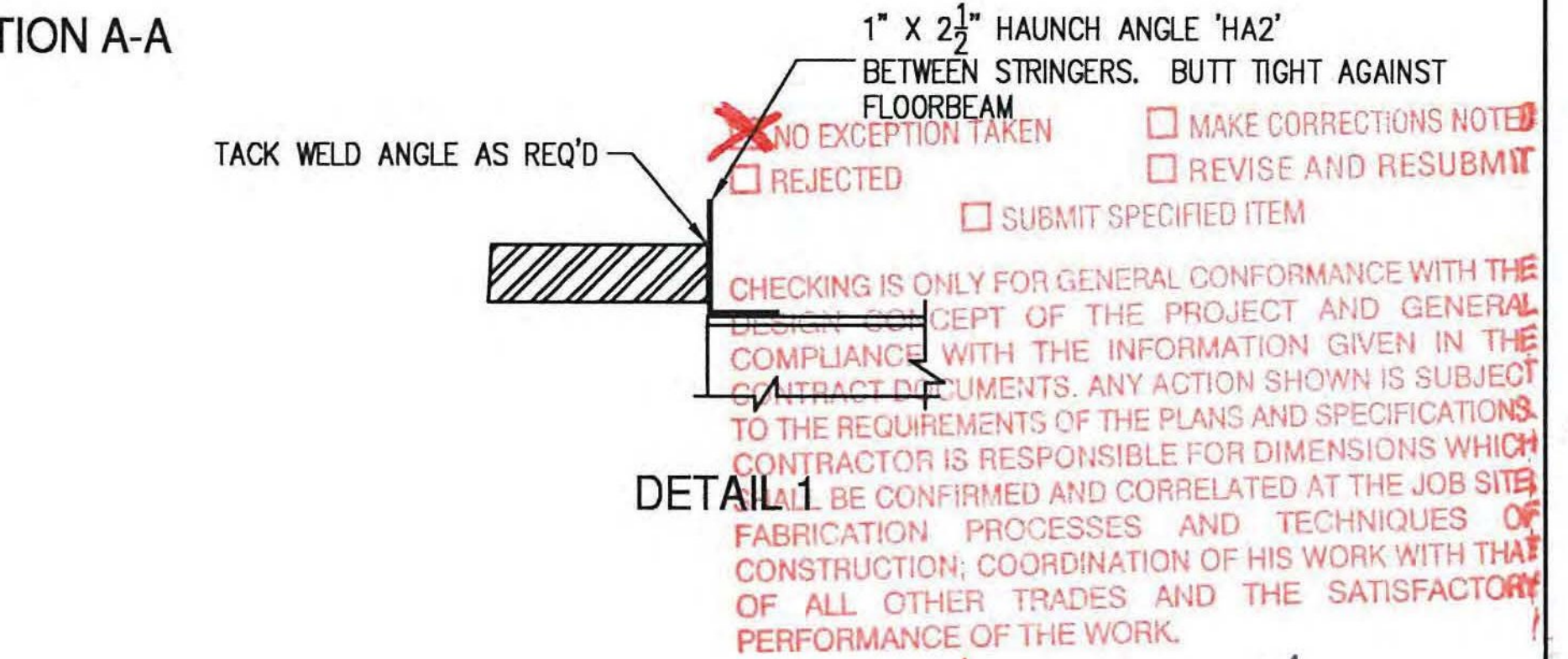
SECTION A-A



SECTION THRU FLOORBEAM AT STRINGERS S1 OR S4



SECTION THRU FLOORBEAM AT STRINGERS S2, S3, S5 OR S6



DETAIL 2

NOTE:
HAUNCH ANGLES 'HA1' & 'HA2'
ARE SUPPLIED IN 10 OR 12 FOOT LENGTHS
FIELD CUT AS NEEDED. UTILIZE AT DROPS

DATE: 4/12/12
CHA

NO.	DATE	REVISION LOG	DESCRIPTION

CUSTOMER:
HARRISON & BURROWES

PROJECT:
VERMONT AGENCY OF
TRANSPORTATION
TOWN OF RICHMOND, COUNTY OF CHITTENDEN
U.S. ROUTE 2, BRIDGE NO. 24
WBS 1-16 BRIDGE DESIGN
EXODERMIC GRID DECK

**CLEARSPAN
CONSTRUCTION PRODUCTS**
P.O. BOX 12708 PITTSBURGH, PA. 15241
PHONE: (412)-445-2765
FAX: (412)-341-2846

DRAWING NO.	REV. NO.
E2	0

DRAWN	DATE	CHECKED	DATE	APPROVAL DATE
RLP	11/12	NC	1/12	XXXXXXXXXX