

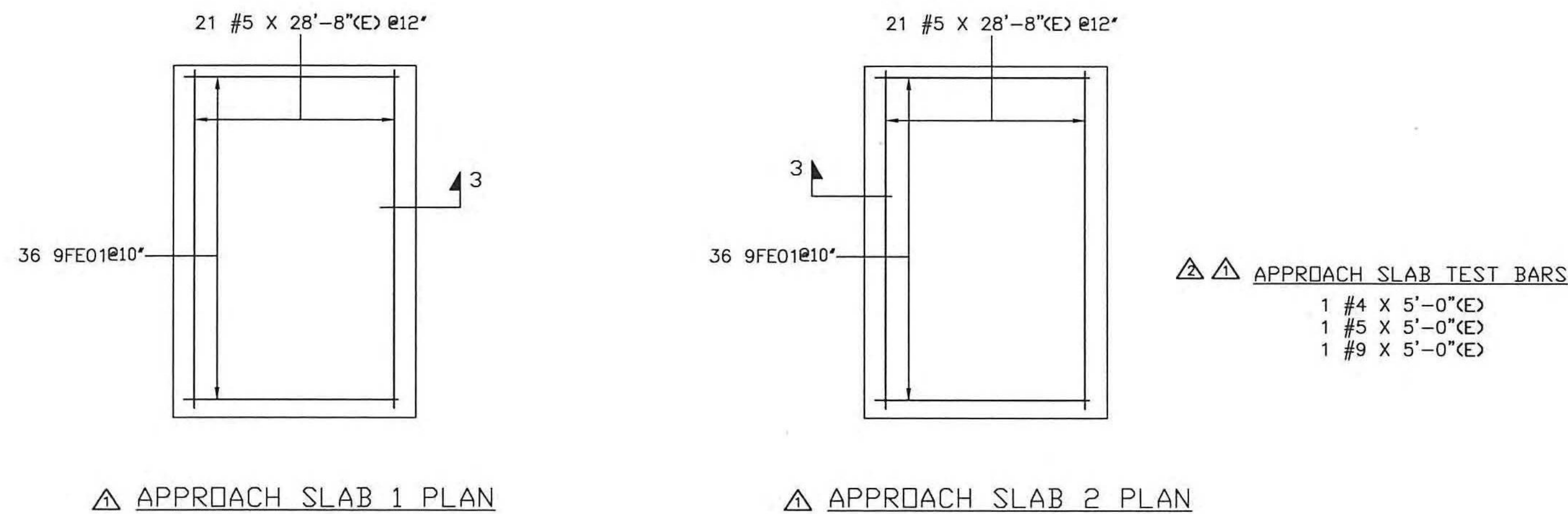
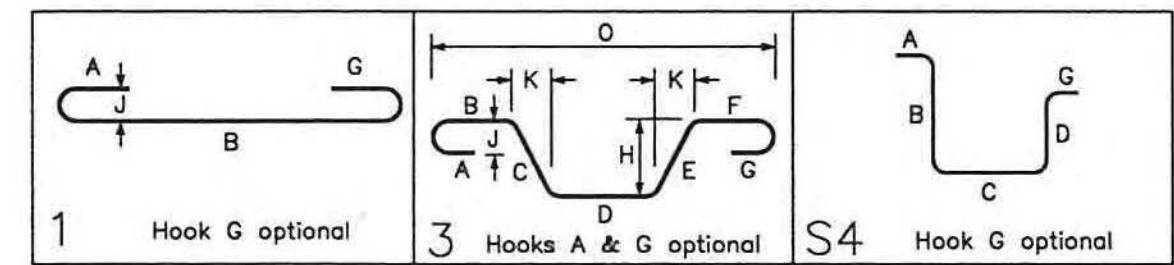
Release Number: 001 BAR LIST																
Bar Mark	Qty	Size	Total Length	Type	'A'	'B'	'C'	'D'	'E'	'F'	'G'	'H'	'J'	'K'	'O'	'R'
4FE01	66	#4E	3'-2"	3		2'-7"	0'-7"					0'-5"		0'-5"	3'-0"	
4FE02	66	#4E	1'-10"	3		1'-3"	0'-7"					0'-5"		0'-5"	1'-8"	
5FE01	1074	#5E	3'-7"	S4	1'-0"	0'-6"	1'-4"	0'-9"								

Release Number: 002 BAR LIST																
Bar Mark	Qty	Size	Total Length	Type	'A'	'B'	'C'	'D'	'E'	'F'	'G'	'H'	'J'	'K'	'O'	'R'
9FE01	36	#9E	20'-11"	1	1'-3"	19'-8"							0'-11"			

Release Number: 003 BAR LIST																
Bar Mark	Qty	Size	Total Length	Type	'A'	'B'	'C'	'D'	'E'	'F'	'G'	'H'	'J'	'K'	'O'	'R'
9FE01	36	#9E	20'-11"	1	1'-3"	19'-8"							0'-11"			



-EPOXY BAR DENOTED (E)  
 -ELEVATIONS & DIMENSIONS SHOWN ON THIS DWG. ARE FOR REINF. DETAILING PURPOSES ONLY AND ARE NOT INTENDED FOR CONSTRUCTION.  
 -REINF. BARS ASTM A615 GRADE 60E  
 -REINF. LAP = #4E = 2'-0"  
 #5E = 2'-6"

**FOR FIELD USE**

- NO EXCEPTION TAKEN
- REJECTED
- MAKE CORRECTIONS NOTED
- REVISE AND RESUBMIT
- SUBMIT SPECIFIED ITEM

CHECKING IS ONLY FOR GENERAL CONFORMANCE WITH THE DESIGN CONCEPT OF THE PROJECT AND GENERAL COMPLIANCE WITH THE INFORMATION GIVEN IN THE CONTRACT DOCUMENTS. ANY ACTION SHOWN IS SUBJECT TO THE REQUIREMENTS OF THE PLANS AND SPECIFICATIONS. CONTRACTOR IS RESPONSIBLE FOR DIMENSIONS WHICH SHALL BE CONFIRMED AND CORRELATED AT THE JOB SITE; FABRICATION PROCESSES AND TECHNIQUES OF CONSTRUCTION; COORDINATION OF HIS WORK WITH THAT OF ALL OTHER TRADES AND THE SATISFACTORY PERFORMANCE OF THE WORK.

DATE 09/26/2012 BY *[Signature]*

6			
5			
4			
3	08/02/12	△	REV'D/ENG. COMM./FOR RECORD & JOB USE
2	08/02/12	△	REV'D/ENG. COMM./APPROVAL
1	07/16/12	0	APPROVAL
	DATE	REV.#	SENT FOR
STRUCTURE	VERMONT BRIDGE #24		
LOCATION	US ROUTE 2 TOWN OF RICHMOND COUNTY OF CHITTENDEN, VERMONT		
ARCHITECT			
ENGINEER			
CUSTOMER	HARRISON & BURROWES BRIDGE CONST.		
DRAWN BY	DATE	DT #	
WAYNE	07/16/12	7020	
DRAWING COVERS		DRAWING #	
DECK AND APPROACH SLAB REINF.		F	

